



Technical Specification

MEF 46.0

Latching Loopback Protocol and Functionality

Disclaimer

The information in this publication is freely available for reproduction and use by any recipient and is believed to be accurate as of its publication date. Such information is subject to change without notice and the Metro Ethernet Forum (MEF) is not responsible for any errors. The MEF does not assume responsibility to update or correct any information in this publication. No representation or warranty, expressed or implied, is made by the MEF concerning the completeness, accuracy, or applicability of any information contained herein and no liability of any kind shall be assumed by the MEF as a result of reliance upon such information.

The information contained herein is intended to be used without modification by the recipient or user of this document. The MEF is not responsible or liable for any modifications to this document made by any other party.

The receipt or any use of this document or its contents does not in any way create, by implication or otherwise:

- any express or implied license or right to or under any patent, copyright, trademark or trade secret rights held or claimed by any MEF member company which are or may be associated with the ideas, techniques, concepts or expressions contained herein; nor
- any warranty or representation that any MEF member companies will announce any product(s) and/or service(s) related thereto, or if such announcements are made, that such announced product(s) and/or service(s) embody any or all of the ideas, technologies, or concepts contained herein; nor
- any form of relationship between any MEF member companies and the recipient or user of this document.

Implementation or use of specific Metro Ethernet standards or recommendations and MEF specifications will be voluntary, and no company shall be obliged to implement them by virtue of participation in the Metro Ethernet Forum. The MEF is a non-profit international organization accelerating industry cooperation on Metro Ethernet technology. The MEF does not, expressly or otherwise, endorse or promote any specific products or services.

© The Metro Ethernet Forum 2014. All Rights Reserved.

Table of Contents

1.	List of Contributing Members	1
2.	Abstract	1
3.	Terms and Acronyms	1
4.	Scope	7
5.	Compliance Levels	7
6.	Network Reference Model and Use Cases	8
6.1	Ethernet Test Equipment that can Generate Latching Loopback Requests.....	8
6.2	Devices That Can Respond to Latching Loopback Requests.....	9
6.3	UNI to UNI Use Case.....	9
6.4	ENNI to UNI Use Case	10
6.5	UNI to ENNI Use Case	11
6.6	ENNI to ENNI Use Case.....	12
7.	Functional Requirements	13
7.1	Latching Loopback State Machine	13
7.1.1	Latching Loopback State Machine Overview	18
7.1.2	Latching Loopback State Machine Variables	19
7.1.3	Latching Loopback State Machine Events.....	19
7.1.4	Latching Loopback State Machine Actions	21
7.1.5	Latching Loopback State Machine Transitions.....	22
7.2	Operation of Latching Loopback.....	24
7.3	Latching Loopback Requirements.....	28
7.3.1	Latching Loopback Provisioning	28
7.3.2	Latching Loopback Prohibited State	29
7.3.3	Latching Loopback Inactive State.....	29
7.3.4	Latching Loopback Active State	29
8.	Message Protocol	33
8.1	Overview	33
8.2	Message Interchange Diagrams.....	33
8.2.1	Discovery	33
8.2.2	State Verification	34
8.2.3	Loopback Activation and Deactivation.....	35
8.2.4	Latching Loopback Protocol Resiliency	36
8.3	Protocol Syntax.....	36
8.3.1	MEL	38
8.3.2	Version.....	38
8.3.3	OpCode	38
8.3.4	Flags	38
8.3.4.1	<i>Loopback Status</i>	38
8.3.4.2	<i>Loopback Direction</i>	39
8.3.4.3	<i>Unrecognized TLV</i>	39
8.3.5	TLV Offset	39
8.3.6	Message Type.....	39
8.3.7	Response Code	40

8.3.8	Loopback Port MAC Address	42
8.3.9	TLVs	42
8.3.9.1	<i>Expiration Timer TLV</i>	44
8.3.10	End TLV.....	44
9.	References.....	45
Appendix A	Latching Loopback Protocol Resiliency (Informative).....	46
A.1	Loopback State Enquiry	46
A.2	Loopback Activate	47
A.3	Loopback Deactivate.....	48
A.4	Loopback Expiration Time.....	48

List of Figures

Figure 1 – Test Equipment that Can Send Latching Loopback Requests.....	8
Figure 2 – Devices that Can Respond to Latching Loopback Requests	9
Figure 3 – UNI to UNI Loopback Use Case.....	10
Figure 4 – ENNI to UNI Loopback Use Case	11
Figure 5 – UNI to ENNI Loopback Use Case	11
Figure 6 – ENNI to ENNI Loopback Use Case.....	12
Figure 7 – Latching Loopback State Machine Diagram.....	14
Figure 8 – Latching Loopback State Machine Transitions.....	15
Figure 9 – Latching Loopback Function Location	16
Figure 10 – Example of ESCF Tag Manipulation	17
Figure 11 – Latching Loopback Active: Detailed Connections and Terminology.....	26
Figure 12 – External Loopback.....	27
Figure 13 – Latching Loopback Details for a Multipoint Service Mapped at 3-ports.....	32
Figure 14 – Discovery Message Interchange.....	34
Figure 15 – State Verification Message Interchange.....	35
Figure 16 – Loopback Activation Message Interchange	36
Figure 17 – Generic LL PDU Format	37
Figure 18 – Latching Loopback TLV Format.....	42
Figure 19 – Expiration Timer TLV format	44

List of Tables

Table 1 – Terms and Acronyms.....	6
Table 2 – Flag Field Definitions.....	38
Table 3 – Latching Loopback Control Message Types.....	39
Table 4 – MEP Control Message Response Codes.....	41
Table 5 – Latching Loopback TLV Subtypes.....	43

1. List of Contributing Members

The following members of the MEF participated in the development of this document and have requested to be included in this list.

Adva Optical Networking SE	Comcast
Albis Technologies	Embratel
Alcatel Lucent	EXFO Inc
AT&T	Level 3
Broadcom	JDSU
Calix	Microsemi
Carrier Ethernet Academy	Omnitron Systems Technology, Inc.
Coriant	RAD Data Communications
Ceragon Networks	Time Warner Cable
China Telecom	Transition Networks
Ciena Corporation	Verizon Business
Cisco Systems	

2. Abstract

This specification describes the use cases, functionality and protocol for a Latching Loopback feature in Ethernet Equipment. Latching Loopback can be controlled to return selected Ethernet frames in the direction from which they came.

3. Terms and Acronyms

This section defines the terms used in this document. In many cases, the normative definitions to terms are found in other documents. In these cases, the third column is used to provide the reference that is controlling, in other MEF or external documents.

Term	Definition	Reference
CEN	Carrier Ethernet Network	MEF 12.2 [6]
Controller End	The endpoint that manages control procedures for tests such as SAT or Latching Loopback. It is responsible for initiating test session(s) and reporting results of the test session(s).	This document
DA	Destination MAC Address	This document
EI	External Interface	MEF 4 [5]
ENNI	External Network Network Interface	MEF 4 [5]
ESCF	ETH Subscriber Conditioning Function	MEF 12.2 [6]

Term	Definition	Reference
ETE	Ethernet Test Equipment	This document
ETE-A	Ethernet Test Equipment-Application	This document
ETE-I	Ethernet Test Equipment-Instrument	This document
ETE-TH	Ethernet Test Equipment-Test Head	This document
ETH	Ethernet Services Layer	MEF 4 [5]
Ethernet Equipment	A Network Element or Ethernet Test Equipment, with ETH functions, installed or used in a CEN.	This document
Ethernet Subscriber Conditioning Function	The Ethernet Subscriber Conditioning Function (ESCF) is the processing entity responsible for classification, filtering, metering, marking, policing, scheduling, shaping and, in general, conditioning the subscriber flow into and out of a UNI-N.	MEF 12.2 [6]
Ethernet Test Equipment	A general term to include an Ethernet Test Equipment-Application, Ethernet Test Equipment-Test Head, and/or Ethernet Test Equipment-Instrument.	This document
Ethernet Test Equipment-Application	Functionality resident in a Network Element which may include a Generator Test Function, a Collector Test Function, and/or Latching Loopback Function that enables the Network Element to perform Service Activation Testing and activate/deactivate loopback devices.	This document
Ethernet Test Equipment-Instrument	A portable, external Ethernet testing equipment not permanently installed in the network, which may include a Generator Test Function, a Collector Test Function, and/or Latching Loopback Function that enables the ETE to perform Service Activation Testing and activate/deactivate loopback devices.	This document
Ethernet Test Equipment-Test Head	An external Ethernet testing equipment permanently installed in the network, which may include a Generator Test Function, a Collector Test Function, and/or Latching Loopback Function that enables the ETE to perform Service Activation Testing and activate/deactivate loopback devices. It is not involved in the forwarding path of services.	This document
ETSS	Ethernet Test Support System	This document

Term	Definition	Reference
Ethernet Test Support System	A function that coordinates test activity at Ethernet Test Equipment or Network Elements.	This document
External Interface	A User-Network Interface (UNI) or an External Network Network Interface.	MEF 4 [5]
External Loopback	For an LLF at an EI located at the boundary between a CEN and an External Network, a loopback where frames received at the EI from the External Network are looped back out through the same EI towards the External Network.	This document
External Network	The network connected to an EI; that is: <ul style="list-style-type: none"> the network containing the UNI-N if the EI is a UNI-C the network containing the UNI-C if the EI is a UNI-N the network containing the peer ENNI-N if the EI is an ENNI-N 	This document
FCS	Frame Check Sequence	IEEE 802.1Q [7]
Individual MP Address Model	Each MP in an Ethernet Equipment has the MAC address of the underlying physical port; i.e., MPs on different physical ports have different MAC addresses.	IEEE 802.1Q [7]
Information Rate	The average bit rate of Ethernet service frames at the measurement point starting with the first MAC address bit and ending with the last FCS bit.	ITU-T Y.1564 [10]
Internal Loopback	For an LLF at an EI located at the boundary between a CEN and an External Network, a loopback where frames received at the EI from within the CEN are looped back towards the CEN.	This document
Latching Loopback Controller	The Controller End ETE MEP that initiates a Latching Loopback Session and which sends LLMs to a Latching Loopback Responder.	This document
Latching Loopback Control Message	Either a Latching Loopback Message or a Latching Loopback Reply.	This document
Latching Loopback Device	Any Network Element or Ethernet Test Equipment which acts as Latching Loopback Responder and supports the Latching Loopback Function and protocol defined in this specification.	This document

Term	Definition	Reference
Latching Loopback Frame Set	<p>A set of frames identified at an LLF within a particular EI by containing the same CE-VLAN ID and/or S-VLAN ID, or by being untagged; that is, that fall into one of the following five cases¹:</p> <ul style="list-style-type: none"> a) untagged; or b) containing a C-tag with a particular CE-VLAN ID at a UNI, and not containing an S-tag; or c) containing an S-tag with a particular S-VLAN ID at an ENNI that does not have a VUNI associated with that S-VLAN ID, or at an ENNI that has a VUNI associated with that S-VLAN ID if the frame is received over the ENNI; or d) containing an S-tag with a particular S-VLAN ID at an ENNI that has a VUNI associated with that S-VLAN ID, and not containing a C-tag; or e) containing an S-tag with a particular S-VLAN ID at an ENNI that has a VUNI associated with that S-VLAN ID, and containing a C-tag with a particular CE-VLAN ID. <p>Latching Loopback Control Messages may be consumed by a MP and hence not pass through the LLF; however, they are considered to belong to an LLFS according to the tags they would have when passing through the LLF, if the consuming MP did not exist.</p>	This document
Latching Loopback Function	The collection of all Latching Loopback State Machines and associated functionality for a given port.	This document
Latching Loopback Message	A PDU sent from a Latching Loopback Controller to a Latching Loopback Responder.	This document
Latching Loopback Reply	A PDU sent from a Latching Loopback Responder to a Latching Loopback Controller, usually in response to a Latching Loopback Message.	This document
Latching Loopback Responder	The Responder End MP that implements a Latching Loopback Session and which sends LLRs to a Latching Loopback Controller.	This document

¹ An S-tagged frame arriving at an ENNI that has a VUNI for that S-VID could belong to two LLFSs, one matching just the S-tag at the ENNI (case c), and one matching both the S-tag and the C-tag if any at the VUNI (case d or e).

Term	Definition	Reference
Latching Loopback Session	An association created between a MEP at a Latching Loopback Controller making Latching Loopback requests and the MP and associated LLSM at a Latching Loopback Responder reacting to those requests and controlling the looping back of corresponding frames. A Latching Loopback Session is maintained for the entire time an LLSM is in the Active State.	This document
Latching Loopback State Machine	A state machine representation, unique per {port, LLFS, SA} tuple, of the protocol and operations at an External Interface (i.e., UNI or ENNI) where frames are returned to the entity that sent them.	This document
LL	Latching Loopback	This document
LLD	Latching Loopback Device	This document
LLF	Latching Loopback Function	This document
LLFS	Latching Loopback Frame Set	This document
LLM	Latching Loopback Message	This document
LLR	Latching Loopback Reply	This document
LLSM	Latching Loopback State Machine	This document
Loopable Frame	A frame that is eligible for loopback because it is not a SOAM frame, or is a SOAM frame but of a higher MEG level than the Latching Loopback.	This document
LSB	Least Significant Bit	
MAC	Media Access Control	IEEE 802.1D [8]
MEG	Maintenance Entity Group	ITU-T G.8013/Y.1731 [12]
MEP	MEG End Point	ITU-T G.8013/Y.1731 [12]
MIP	MEG Intermediate Point	ITU-T G.8013/Y.1731 [12]
MP	Maintenance Point	ITU-T G.8013/Y.1731 [12]
MSB	Most Significant Bit	
NE	Network Element	MEF 4 [5]
NID	Network Interface Device	
PDU	Protocol Data Unit	
Responder End	The endpoint that is not managing the test session. It is responsible for responding to messages from the Controller End.	This document
SA	Source MAC Address	This document
SAT	Service Activation Testing	This document
The Shared MP Address Model	MIPs and Up MEPs on different physical ports within an Ethernet Equipment share the same MAC address.	IEEE 802.1Q [7]

Term	Definition	Reference
SOAM	Service Operations, Administration, and Maintenance	MEF 17 [13]
UNI	User Network Interface	MEF 4 [5]
UNI-C	UNI-Client	MEF 4 [4]
UNI-N	UNI-Network	MEF 4 [5]
VLAN	Virtual LAN	IEEE 802.1Q [7]

Table 1 – Terms and Acronyms

4. Scope

This specification defines the protocol and functionality for Latching Loopbacks (LLs) for Service Activation Testing (SAT) and troubleshooting up to the Information Rate for point-to-point and multipoint services across multiple Carrier Ethernet Networks (CENs). The Latching Loopback Function (LLF) is intended to be implemented in UNI and ENNI locations in various Carrier Ethernet equipment such as Network Interface Devices (NIDs), bridges, switches, and Ethernet Test Equipment (ETE). Ethernet Equipment that implements the Latching Loopback Function is referred to as a Latching Loopback Device (LLD). The functionality has been developed to be compatible with older test methodologies such as IETF RFC 2544 [9] and newer methodologies such as ITU Y.1564 [10]. An important characteristic of the loopback is that it leaves the Ethernet frame payload unaltered.

This specification defines Protocol Data Units (PDUs) that control an LLF. There are no special PDU types for LL test packets.

5. Compliance Levels

The key words "**MUST**", "**MUST NOT**", "**REQUIRED**", "**SHALL**", "**SHALL NOT**", "**SHOULD**", "**SHOULD NOT**", "**RECOMMENDED**", "**MAY**", and "**OPTIONAL**" in this document are to be interpreted as described in RFC 2119 [3]. All key words are presented in upper case, bold text.

A paragraph preceded by [**R_x**], where *x* indicates a sequentially increasing number throughout the document, specifies a mandatory requirement that **MUST** be followed. A paragraph preceded by [**D_y**], where *y* indicates a sequentially increasing number throughout the document, specifies a desired requirement that **SHOULD** be followed. A paragraph preceded by [**O_z**], where *z* indicates a sequentially increasing number throughout the document, specifies an optional requirement that **MAY** be followed.

6. Network Reference Model and Use Cases

The need for Latching Loopback comes from the various use cases that employ the technique. This section discusses various ways that a Latching Loopback can be configured to enable a test session.

6.1 Ethernet Test Equipment that can Generate Latching Loopback Requests

Several types of Ethernet Test Equipment (ETE) can control a Latching Loopback Device, as shown in Figure 1.

The simplest type is an Ethernet Test Equipment-Instrument (ETE-I), for example, a manually operated handheld device that is capable of performing LL test session operations.

As an alternative to the ETE-I, an Ethernet Test Equipment-Application (ETE-A) may reside in a capable Network Element such as a Network Interface Device (NID) or switch. The Network Element provides access to the EVC or OVC to be tested, and with special software and capable hardware is able to perform the test session operations itself. The Ethernet Test Equipment-Application in the Network Element is typically invoked by an Ethernet Test Support System (ETSS) at a network operations center that has a need to perform diagnostics or acceptance testing on the services passing through the Network Element. The ETSS may be invoked by an automated process associated with service provisioning or fault diagnostics, or it may be invoked by a person who is investigating a customer issue or is verifying service connectivity and performance.

A third test equipment alternative is for an Ethernet Test Equipment-Test Head (ETE-TH) to be permanently installed in the network at a Network Element. The Ethernet Test Equipment-Test Head can be controlled by an ETSS at a network operations center. The ETSS will typically also control the co-located Network Element to provide access to the EVC or OVC for the Ethernet Test Equipment-Test Head.

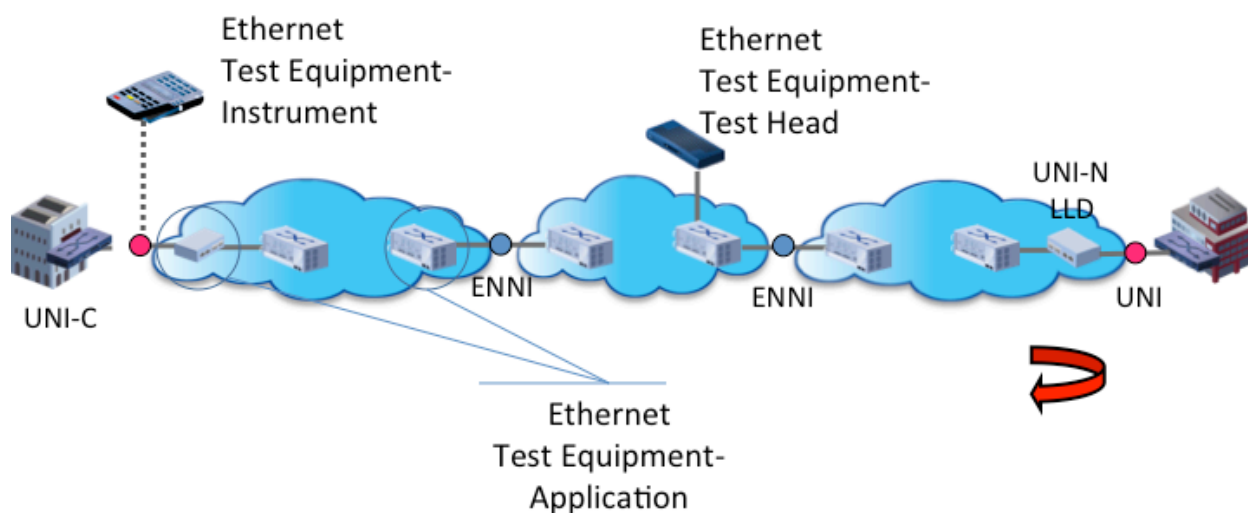


Figure 1 – Test Equipment that Can Send Latching Loopback Requests

It should be noted that all these alternatives are regarded as valid use cases for Latching Loopback. Although only a single type of test equipment will be shown in most figures, other test equipment alternatives could also be used.

6.2 Devices That Can Respond to Latching Loopback Requests

Many types of devices can choose to support the capability to respond to Latching Loopback requests, i.e., the Latching Loopback Function (LLF). In Figure 2, this capability is shown supported in a bridge at an ENNI, a NID at the UNI-N, and an Ethernet Test Equipment-Instrument. Although all of them are shown as responding to a Latching Loopback request, at any one time only one of them would have a Latching Loopback State Machine (LLSM) in the Latching Loopback Active State for a particular service.

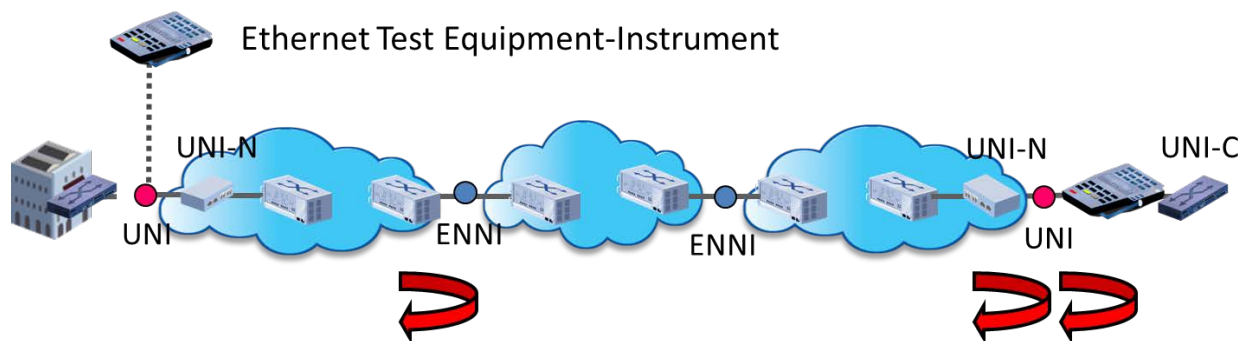


Figure 2 – Devices that Can Respond to Latching Loopback Requests

6.3 UNI to UNI Use Case

Figure 3 illustrates a basic configuration where a technician at one end of an EVC plugs an Ethernet Test Equipment-Instrument (ETE-I) into the UNI-N to act as the UNI-C for a test session. The technician activates Latching Loopback at the other UNI-N and is then able to test roundtrip performance characteristics of the connection. Because the Latching Loopback is activated internally in the UNI-N, the performance will not be evaluated at the actual UNI itself on the far right. (Connectivity through the device implementing the UNI-N is not tested and the UNI PHY is not tested.)

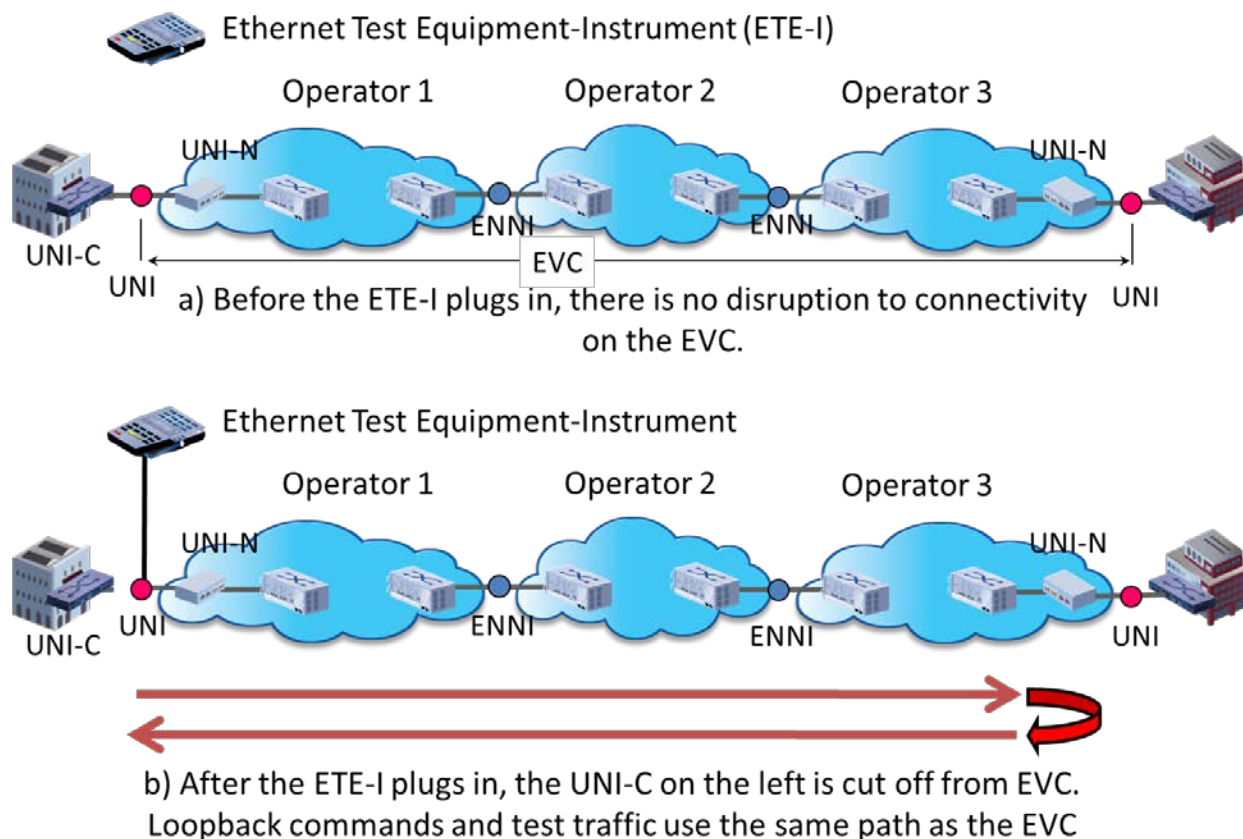


Figure 3 – UNI to UNI Loopback Use Case

It should be noted that the measurements in a Latching Loopback Session indicate round-trip performance. So, one-way performance results will not be available. Users may also wish to do testing with an Ethernet Test Equipment (ETE) at each end of the EVC to get one-way performance results. Although this dual-test-instrument configuration is desirable to use, there are times when the loopback technique is preferable for operational reasons.

6.4 ENNI to UNI Use Case

The ENNI to UNI use case shown in Figure 4 uses test equipment at an ENNI. From the ENNI it is possible to gain test access in order to sectionalize an EVC according to the domain of maintenance responsibility for Carrier Ethernet Operators. It is possible to sectionalize a problem as belonging to one operator or another, and to separately measure performance attributes in each operator's domain. Although the figure is shown with an Ethernet Test Equipment-Test Head, testing could also be accomplished with an Ethernet Test Equipment-Application residing in the Network Element where the Ethernet Test Equipment-Test Head is attached.

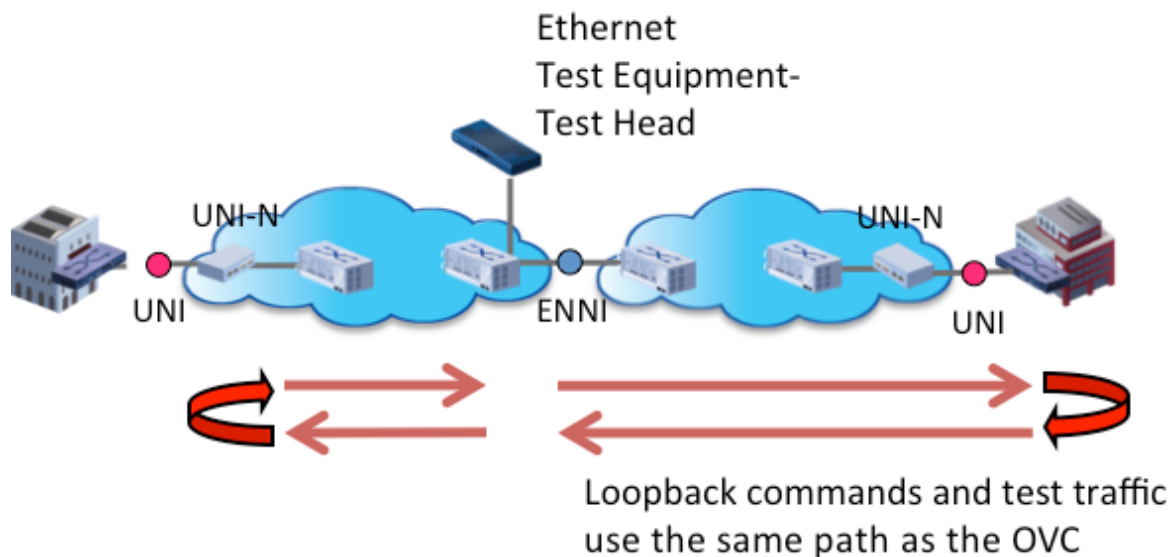
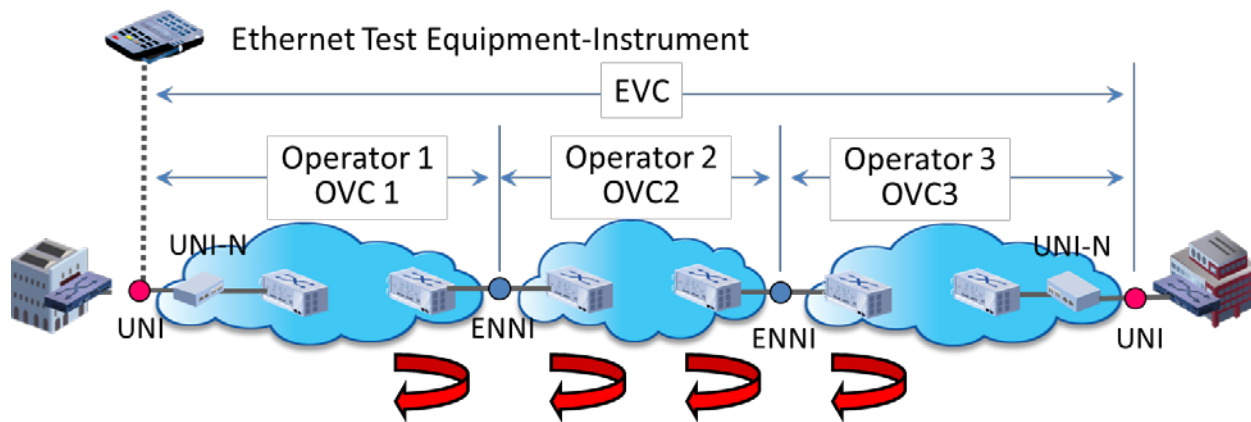


Figure 4 – ENNI to UNI Loopback Use Case

6.5 UNI to ENNI Use Case

As shown in Figure 5, from a UNI it may be desirable to test to the Network Element at either side of one or more ENNIs to measure performance across a particular OVC. A Latching Loopback Session is initiated to any one of the ENNIs on any of the Network Elements. As will be evident from the protocol described later, any one location can be addressed and looped back. Although the figure shows all the possible ENNI locations that could be looped back, only one location ought to be looped back at a time.



A Latching Loopback can be established at any NE at an ENNI to observe service performance variations over individual OVCs

Figure 5 – UNI to ENNI Loopback Use Case

6.6 ENNI to ENNI Use Case

From an ENNI it may be desirable to test to the Network Element (NE) at either side of another ENNI to measure performance across an OVC. This functionality enables the proof of performance across an operator’s or group of operators’ sections. Figure 6 illustrates this application. Although the figure is shown with an Ethernet Test Equipment-Test Head, testing could also be accomplished with an Ethernet Test Equipment-Application residing in the Network Element where the Ethernet Test Equipment-Test Head is attached.

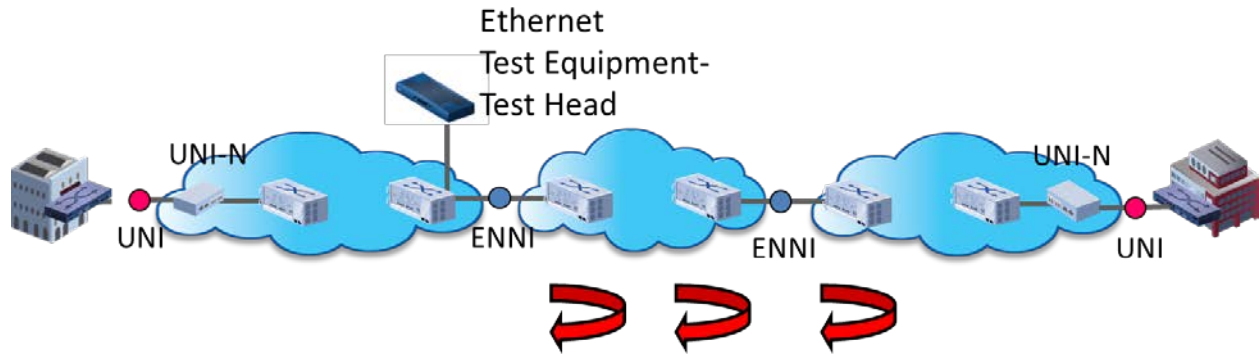


Figure 6 – ENNI to ENNI Loopback Use Case

7. Functional Requirements

Latching Loopback is initiated by a Latching Loopback Controller that provides in-line control of the Latching Loopback State Machine (LLSM) at a Latching Loopback Responder and supplies the Ethernet frames to be looped back by the Latching Loopback Responder. Latching Loopback is implemented by a Latching Loopback Responder at an External Interface (EI) in a Latching Loopback Function (LLF), at the boundary between a CEN and an External Network. Latching Loopback is used within a system that consists of the Ethernet Test Equipment (ETE) that acts as a Latching Loopback Controller; the Carrier Ethernet Network (CEN) that forwards the Latching Loopback Messages (LLMs), the Latching Loopback Replies (LLRs), and the Ethernet frames that are looped back; and the Network Element (NE) or ETE acting as a Latching Loopback Responder that incorporates the EI with an LLF. This section details the functionality and requirements of the elements of this system, with primary focus being on the exact functionality required in the Latching Loopback State Machine (LLSM) to obtain uniformly satisfactory results in all modes.

LLMs and LLRs are carried in SOAM frames, as described in section 8. LLMs are transmitted by a MEP at an ETE acting as a Latching Loopback Controller for a Latching Loopback Session, and are received by an MP at an EI where the Latching Loopback Responder implementing the LLSM for that session is located. LLRs are transmitted by the MP at the Latching Loopback Responder and received by the MEP in the Latching Loopback Controller for the associated Latching Loopback Session. The association of MPs with LLSMs is described further in the following section.

7.1 Latching Loopback State Machine

The following subsections of section 6 and the associated requirements are governed by the Latching Loopback State Machine Diagram shown in Figure 7, with the transitions summarized in Figure 8 and detailed in the remainder of this section. The state machine diagram depicts a state machine that is unique per a three-tuple of port, Latching Loopback Frame Set (LLFS), and Source MAC Address (SA), henceforth written as {port, LLFS, SA}. The LLF is described in this document as a set of finite state machines. Note that this is not intended to restrict implementations; any implementation which displays the same externally-visible behavior is valid.

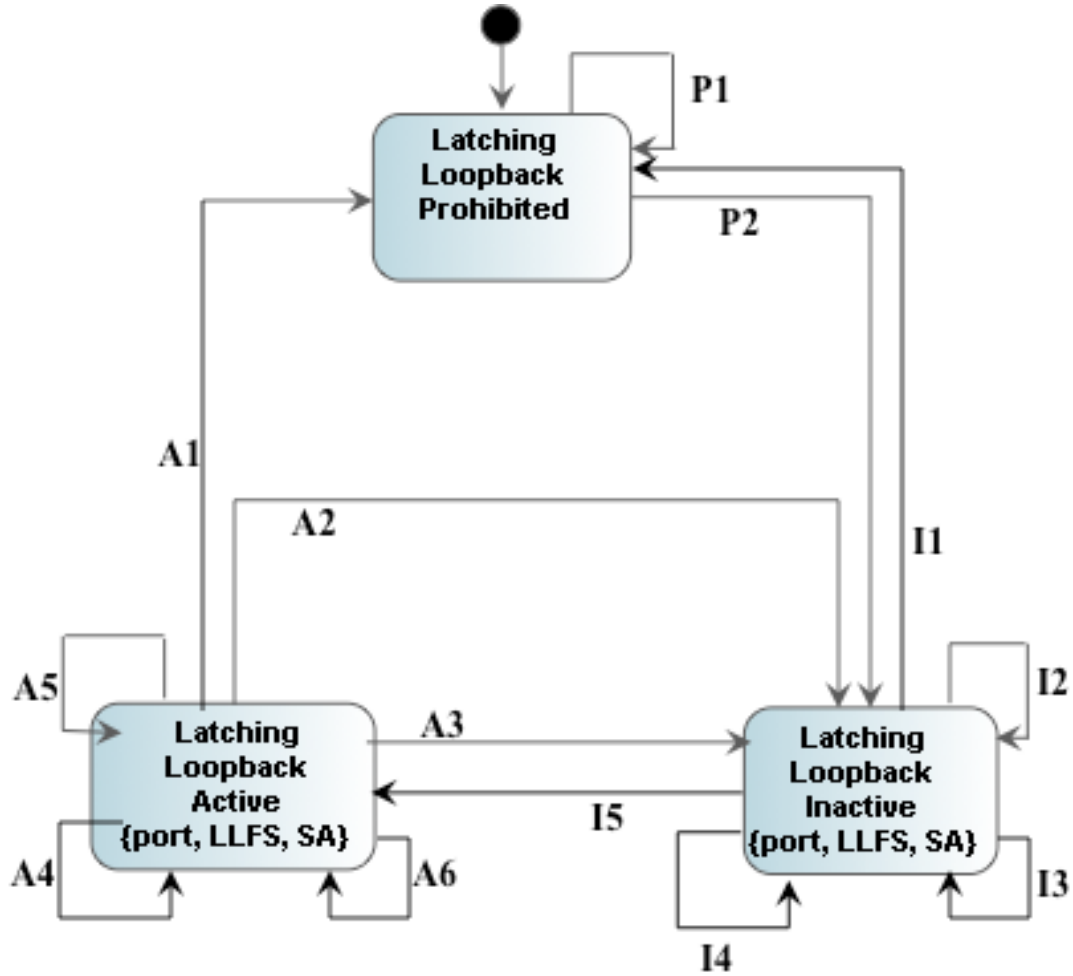


Figure 7 – Latching Loopback State Machine Diagram

Latching Loopback Prohibited**P1: receive** *rqst.activate|rqst.deactivate|rqst.state|data***P2: allow** (via out of band control)**Latching Loopback Inactive per SA****I1: prohibit** (via out of band control)**I2: receive** *rqst.deactivate|ingress_data|egress_data***I3: receive** *rqst.state***I4: receive** *rqst.activate* **AND** unaccepted**I5: receive** *rqst.activate* **AND** accepted**Latching Loopback Active per SA****A1: prohibit** (via out of band control)**A2: timeout****A3: receive** *rqst.deactivate***A4: receive** *rqst.state***A5: receive** *rqst.activate***A6: receive** *ingress_data|egress_data***Figure 8 – Latching Loopback State Machine Transitions**

Each Latching Loopback is established at a specific LLD port (i.e., an EI) for a specific LLFS identified by the Latching Loopback Activate Request received from an Ethernet Test Equipment (ETE) with a specific SA. The Latching Loopback, and the corresponding LLSM, are thus specific to that {port, LLFS, SA}.

At any port where Latching Loopback is supported, two directions are possible for a Latching Loopback over that port: internal loopbacks for that port and external loopbacks for that port. In both cases, the LLSM is implemented by an LLF within the LLD implementing the port being looped back. The LLF is located nearer the EI reference point than the conditioning function, MIPs, and Up MEPs; but further away from the EI reference point than the down MEPs. At an ENNI with a VUNI, the LLF is located nearer the EI reference point than the EPCF and all of the VUNI functionality; but further away from the EI reference point than the non-VUNI-related down MEPs. The location of the LLF in the case of a UNI-N is shown in Figure 9. Other types of EI are similar, except that they may contain a different type of conditioning function and a different set of MEPs.²

² See Appendix I of MEF 12.2 [6] for more details on relative placements of MEPs, MIPs, and conditioning functions.

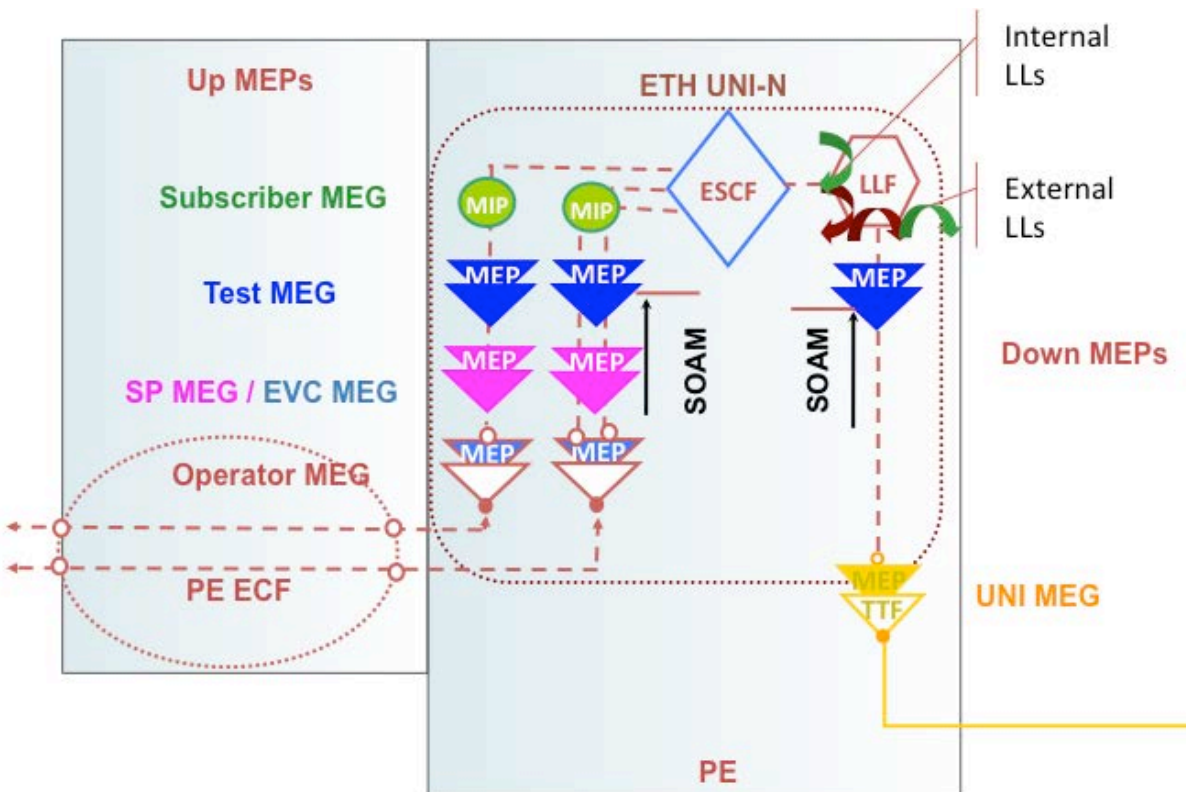


Figure 9 – Latching Loopback Function Location

An External Loopback acts on frames received at the EI from the External Network – that is, from the UNI-C in the case of a UNI-N, from the UNI-N in the case of a UNI-C, or from the peer ENNI-N in the case of an ENNI-N. Loopable Frames that match the SA and LLFS for which the loopback has been activated are looped back out of the same EI, without passing through the conditioning function. (Frames that do not match the {port, LLFS, SA} are handled normally.)

An Internal Loopback acts on frames received at the EI from the CEN – that is, frames that would have been transmitted out of the EI if the loopback was not active. Frames that match the SA and LLFS for which the loopback has been activated pass through the egress conditioning function, are looped back towards the CEN, and then pass through the ingress conditioning function.

Note: An Internal Loopback at a UNI-C is not defined.

An ETE-I might not contain a conditioning function and might not have the capability of forwarding frames between different ports, i.e., of forming part of a CEN. Such devices can only support External Loopback.

As described previously, the LLF instantiates a separate instance of the LLSM per tuple of {port, LLFS, SA}³. An LLSM for a given {port, LLFS, SA} is associated with the Maintenance Points

³ Therefore looping an EVC that maps to multiple VLAN IDs requires multiple state machines.

(MPs) – Up MEPs, Down MEPs, and MIPs – that have been created at the port being looped in such a way that frames belonging to the associated LLFS pass through the MPs when no loop-back is active. Note that as the MPs and the LLF are located in different positions at the EI, the frames in the LLFS may have different tags when they pass through the MP compared to when they pass through the LLF, as shown in Figure 10.

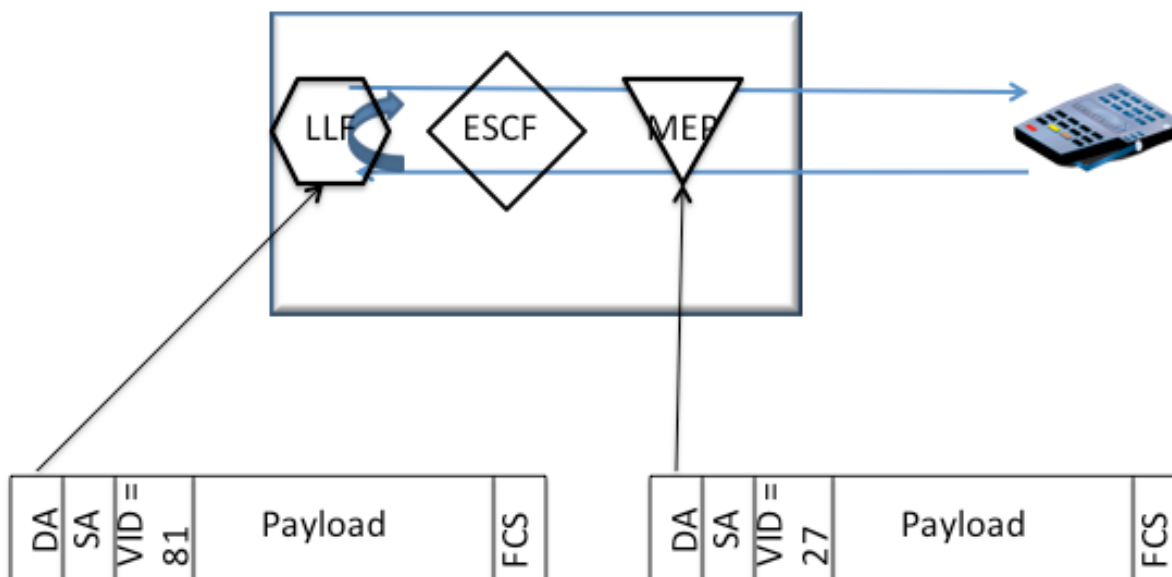


Figure 10 – Example of ESCF Tag Manipulation

Latching Loopback Control Messages may be consumed by a MP and hence not pass through the LLF; however, they are considered to belong to an LLFS according to the tags they would have when passing through the LLF, if the consuming MP did not exist. Thus, an MP at a given EI sends and receives Latching Loopback Control Messages for the same LLFS as the LLSMs for that EI and LLFS.

As all Latching Loopback Control Messages are encapsulated as SOAM frames, the MPs apply the normal CFM filtering rules to all received Latching Loopback Control Messages. That is:

- For a MEP, only Latching Loopback Control Messages received at the MEG level of the MEP, and from the correct direction, are processed; SOAM messages (including Latching Loopback Control Messages) at a higher MEG level are forwarded, while SOAM messages at lower MEG levels or from the opposite direction are dropped.
- For a MIP, unicast Latching Loopback Control Messages to the MAC address of the MIP's port are processed if they are received at the MEG level of the MIP, and discarded otherwise. Multicast Latching Loopback Control Messages to an appropriate multicast addresses, and that are received at the MEG level of the MIP, are both processed and forwarded; all other messages are forwarded.

When an MP processes a Latching Loopback Message (LLM) from a given SA, with VLAN tags that identify it as belonging to a given LLFS, it passes it on to the corresponding LLSM – that is, the LLSM associated with the same port as the MP, and with the corresponding LLFS and SA.

Note that there may be more than one MP on a port that passes received LLMs to the same LLSM (e.g., if the MPs are at different MEG levels).

When an LLSM for a given {port, LLFS, SA} sends Latching Loopback Replies (LLRs), it uses the same MP that received the LLM. The MP transmits the LLR using its configured MEG level, with VLAN ID of the corresponding LLM, and in the case of a MIP, in the opposite direction to that in which the LLM was received (i.e., back towards the source of the corresponding LLM).

When an LLSM for a given {port, LLFS, SA} is associated with more than one MP, and the LLSM is in the Loopback Active state, a timer expiration or a management prohibit action causes the LLSM to send notification of this using the MP that received the original Loopback Activate request.

Note 1: The port in question could be a physical port or Link Aggregation Group, depending upon the MP receiving (and its MEG level) and replying to Latching Loopback PDUs. Testing of an individual LAG link port is beyond the scope of this document.

Note 2: Loopback Activate messages that are received via an Up MEP correspond to internal loopbacks; messages received via a Down MEP correspond to external loopbacks; messages received at a MIP may correspond to either an internal or external loopback depending on which direction the activate message was received from. If an LLSM is associated only with a single MEP, it will only be able to activate the corresponding direction of loopback.

Note 3: SOAM frames at the MEG level of the MP associated with the LLSM are not classified as Loopable Frames; hence even in the Loopback Active state, Latching Loopback Control Messages received at the port at the MEG level of the MP will pass through the LLSM and reach the MP⁴.

Note 4: An MP may use a shared MAC address, different to the MAC address of the port on which it resides (see 802.1Q [7] annex J.6). In this case, the MAC address of the intended port is included in the LL messages sent/received by the MP, so as to identify the correct port.

Note 5: In the Inactive state, an LLSM could be associated with multiple MPs with the same {port, LLFS} if multiple MPs exist but at different MEG Levels or different directions. Although an LLSM can be associated with multiple MPs, it can be activated by at most one MP at a time.

7.1.1 Latching Loopback State Machine Overview

The LLSM has three states:

- **Latching Loopback Prohibited.** In this state, loopbacks are prohibited by an administrative action. LLMs addressed to a specific LLSM that is in this state will be discarded.

⁴ See the handling of `rqst.activate` within the Latching Loopback Active state in 6.1.5.

- Latching Loopback Inactive. In this state, loopbacks are permitted, but there is no loopback request currently active.
- Latching Loopback Active: In this state, a loopback is currently active.

At initialization, the LLSM enters the Latching Loopback Prohibited state. Transitions between the Latching Loopback Prohibited state and the Latching Loopback Inactive state are caused solely by administrative actions, performed via a management interface; not through in-band Latching Loopback Control Messages.

7.1.2 Latching Loopback State Machine Variables

Each instance of the LLSM (further described in the following sections) uses the following variables⁵:

- `ll.port`: Port for which the LLSM has been instantiated. The port can be identified by its MAC address.
- `ll.llfs`: LLFS for which the LLSM has been instantiated.
- `ll.sa`: SA of the frames to be looped by this LLSM instantiation.
- `ll.level`: In Latching Loopback Active state, the MEG level of the MP from which the original activate request was received.
- `ll.direction`: In Latching Loopback Activate state, set to either `EXTERNAL`, if the activate request was received from a Down MEP, or from a MIP where the message arrived at the EI from the External Network; or to `INTERNAL`, if the activate request was received from an Up MEP, or from a MIP where the message arrived at the EI from the CEN. In other states, the direction is not applicable.

The LLSM also has one timer, the expiration timer, which is used to time out active loopbacks if no further activation requests are received.

7.1.3 Latching Loopback State Machine Events

There are a number of events that can cause LLSM actions (see 7.1.4) and transitions (see 7.1.5).

- `rqst.activate(ex_time, level, direction)`. The `ex_time` parameter is equal to the Expiration Timer field in the received LLM PDU. The `level` and `direction` parameters are set according to the MP that received the message. This event is triggered by receipt of a valid Latching Loopback Activate Request fulfilling all of the following conditions:
 - the request was received at one of the MPs associated with this LLSM – i.e., at an MP on `ll.port` and associated with `ll.llfs`

⁵ The format of the variables are dependent upon the implementation of the LLF.

- the source address of the Latching Loopback Activate Request frame was equal to `11.SA`
 - the destination address was a unicast MAC address matching the MAC address of the MP
 - and the Loopback Port MAC Address field in the received LLM PDU was a unicast MAC address matching the MAC address of `11.port`.
- `rqst.deactivate(level, direction)`. The `level` and `direction` parameters are set according to the MP that received the message. This event is triggered by receipt of a valid Latching Loopback Deactivate Request fulfilling all of the following conditions:
 - the request was received at one of the MPs associated with this LLSM – i.e., at an MP on `11.port` and associated with `11.LLFS`
 - the source address of the Latching Loopback Deactivate Request frame was equal to `11.SA`
 - the destination address was a unicast MAC address matching the MAC address of the MP
 - and the Loopback Port MAC Address field in the received LLM PDU was a unicast MAC address matching the MAC address of `11.port`.
- `rqst.state()`. This event is triggered by receipt of a valid Latching Loopback State Request fulfilling all of the following conditions:
 - the request was received at one of the MPs associated with this LLSM – i.e., at an MP on `11.port` and associated with `11.LLFS`
 - the source address of the Latching Loopback State Request frame was equal to `11.SA`
 - the destination address was a unicast MAC address matching the MAC address of the MP
 - and the Loopback Port MAC Address field in the received LLM PDU was a unicast MAC address matching the MAC address of `11.port` or an appropriate multicast address matching the MEG level of the MEP.
- `ingress_data(frame)`. This event is triggered by receipt of any frame at the LLSM that arrived at the EI from the External Network; that is, receipt of a frame at `11.port`, from the External Network, with an encapsulation identifying it as belonging to `11.LLFS` and a source address equal to `11.SA`, and which has not been consumed by one of the MEPs on that {port, LLFS}. Note that this event includes messages that do not match the criteria for the events above. Such messages include the receipt of activate/deactivate/state requests with DAs that do not meet the above criteria.
- `egress_data(frame)`. This event is triggered by receipt of any frame at the LLSM that arrived at the EI from the CEN; that is, receipt of a frame at `11.port` that would

be forwarded out of the port (if no loopback were active), with an encapsulation identifying it as belonging to `ll.LLFS` and a source address equal to `ll.SA`, and which has not been consumed by one of the MEPs on that {port, LLFS}. Note that this event includes messages that do not match the criteria for the events above. Such messages include the receipt of activate/deactivate/state requests with DAs that do not meet the above criteria.

- `mgmt.allow`. This event is triggered by an administrative action for this LLSM instance.
- `mgmt.prohibit`. This event is triggered by an administrative action for this LLSM instance.
- `timer.expiration`. This event is triggered upon expiration of the Latching Loopback Expiration Timer.

7.1.4 Latching Loopback State Machine Actions

The LLSM transitions (see 7.1.5) can generate the following actions.

- `rsp.activate(DA, status, direction, ex_time, response)`. Transmit a Latching Loopback Activate Reply to the specified unicast DA. The Loopback Port MAC Address field in the transmitted LLR PDU is set to the MAC address of `ll.port`. The `status` is `ACTIVE` or `INACTIVE`, and is used to set the Loopback Status flag in the LLR PDU. If the `status` is `ACTIVE`, the `direction` is `EXTERNAL` or `INTERNAL` and is used to set the Loopback Direction flag in the LLR PDU; otherwise the `direction` is ignored. If the `status` is `ACTIVE`, the `ex_time` is set to the value of the Latching Loopback Expiration Timer; otherwise the `ex_time` is ignored and the field in the LLR is set to 0. The response code in the LLR PDU is set to the specified `response` (see Table 4).
- `rsp.deactivate(DA, status, direction, response)`. Transmit a Latching Loopback Deactivate Reply to the specified unicast DA. The Loopback Port MAC Address field in the transmitted LLR PDU is set to the MAC address of `ll.port`. The `status` is `ACTIVE` or `INACTIVE`, and is used to set the Loopback Status flag in the LLR PDU. If the `status` is `ACTIVE`, the `direction` is `EXTERNAL` or `INTERNAL` and is used to set the Loopback Direction flag in the LLR PDU; otherwise the `direction` is ignored. The response code in the LLR PDU is set to the specified `response` (see Table 4).
- `rsp.state(DA, status, direction, ex_time, response)`. Transmit a Latching Loopback State Reply to the specified unicast DA⁶. The `status` is `ACTIVE` or `INACTIVE`, and is used to set the Loopback Status flag in the LLR PDU. If the

⁶ Note that if more than one port is associated with the specified LLFS, then a separate `rsp.state()` is sent for each port (each from a separate LLSM).

`status` is `ACTIVE`, the `direction` is `EXTERNAL` or `INTERNAL` and is used to set the Loopback Direction flag in the LLR PDU; otherwise the `direction` is ignored. The Loopback Port MAC Address field in the transmitted LLR PDU is set to the MAC address of `ll.port`. If the `status` is `ACTIVE`, the `ex_time` is set to the value of the Latching Loopback Expiration Timer; otherwise the `ex_time` is ignored and the field in the LLR is set to 0. The response code in the LLR PDU is set to the specified response (see Table 4).

- `start.expiration(time)`. Start (or restart) the Latching Loopback Expiration Timer with the specified timeout.
- `stop.expiration`. Stop the Latching Loopback Expiration Timer.
- `forward(frame)`. Forward the received data frame.
- `drop(frame)`. Discard the received data frame.
- `loopback(frame)`. Loopback the received data frame.

7.1.5 Latching Loopback State Machine Transitions

The effect of receiving each of the 8 possible events, in each of the three states, is described below.

Latching Loopback Prohibited:

- `rqst.activate(time, level, direction)`,
`rqst.deactivate(level, direction)`,
`rqst.state()`,
`mgmt.prohibit`:
 No action
- `ingress_data(frame)`,
`egress_data(frame)`:
 `forward(frame)`
- `timer.expiration`:
 Cannot occur
- `mgmt.allow`:
 Transition to Latching Loopback Inactive state

Latching Loopback Inactive:

- `rqst.activate(ex_time, level, direction):`
 if accepted⁷:
 `start.expiration(ex_time)`
 `ll.level := level`
 `ll.direction := direction`
 `rsp.activate(ll.SA, ACTIVE, direction, ex_time, No Error)`
 Transition to Latching Loopback Active state.
 else:
 `rsp.activate(ll.SA, INACTIVE, NOT_APPLICABLE8, 0, ErrorCode*)`
- * One of: Max Sessions Exceeded, Unsupported, Unknown Error. See Table 4.
- `rqst.deactivate(level, direction):`
 `rsp.deactivate(ll.SA, INACTIVE, NOT_APPLICABLE, Already Inactive)`
- `rqst.state():`
 `rsp.state(ll.SA, INACTIVE, NOT_APPLICABLE, 0, No Error)`
- `ingress_data(frame),`
 `egress_data(frame):`
 `forward(frame)`
- `timer.expiration:`
 Cannot occur
- `mgmt.allow:`
 No protocol action
- `mgmt.prohibit:`
 Transition to Latching Loopback Prohibited state

Latching Loopback Active:

- `rqst.activate(ex_time, level, direction):`
 if `level = ll.level` and `direction = ll.direction`:
 `start.expiration(ex_time)`
 `rsp.activate(ll.SA, ACTIVE, direction, ex_time, Already Active)`
 else:
 `rsp.activate(ll.SA, ACTIVE, ll.direction, 0, Wrong MP)`
- `rqst.deactivate(level, direction):`
 if `level = ll.level` and `direction = ll.direction`:
 `stop.expiration`
 `rsp.deactivate(ll.SA, INACTIVE, NOT_APPLICABLE, No Error)`

⁷ The decision on whether to accept the Latching Loopback Activate request is implementation specific. For example, the request may be rejected because of Max Sessions Exceeded, Unsupported, or Unknown Error. See Table 4.

⁸ NOT_APPLICABLE is used to indicate that the field is not applicable and therefore what value is included for the implementation of the state machine does not matter. The PDU handling in 7.3 specifies what values to provide in the PDUs.

- Transition to Latching Loopback Inactive state
- ```
else:
 rsp.deactivate(ll.SA, ACTIVE, ll.direction, Wrong MP)
```
- `rqst.state()`:
 

```
 rsp.state(ll.SA, ACTIVE, ll.direction, ex_time, No Error)
```
  - `ingress_data(frame)`:
 

```
 if the data frame is a Loopable Frame:
 if ll.direction = EXTERNAL:
 loopback(frame)
 else:
 drop(frame)
 else:
 forward(frame)
```
  - `egress_data(frame)`:
 

```
 if the data frame is a Loopable Frame:
 if ll.direction = INTERNAL:
 loopback(frame)
 else:
 drop(frame)
 else:
 forward(frame)
```
  - `timer.expiration`:
 

```
 stop.expiration
 rsp.deactivate(ll.SA, INACTIVE, NOT_APPLICABLE, Timeout)
 Transition to Latching Loopback Inactive state
```
  - `mgmt.allow`:
 

```
 No protocol action
```
  - `mgmt.prohibit`:
 

```
 stop.expiration
 rsp.deactivate(ll.SA, INACTIVE, NOT_APPLICABLE, Prohibited)
 Transition to Latching Loopback Prohibited state
```

## 7.2 Operation of Latching Loopback

Latching Loopback is brought into use when a test session is desired between a piece of ETE acting as a Latching Loopback Controller and a LLD implementing the LLF, for a given LLFS and SA; and the corresponding LLSM for that {port, LLFS, SA} is in the Latching Loopback Inactive state. A technician or system gains access to the ETE and connects it in some fashion to the network (via manual connection for an Ethernet Test Equipment-Instrument, or via remote commands for an Ethernet Test Equipment-Test Head or Ethernet Test Equipment-Application) so that the ETE can generate and collect frames on the LLFS to be tested.

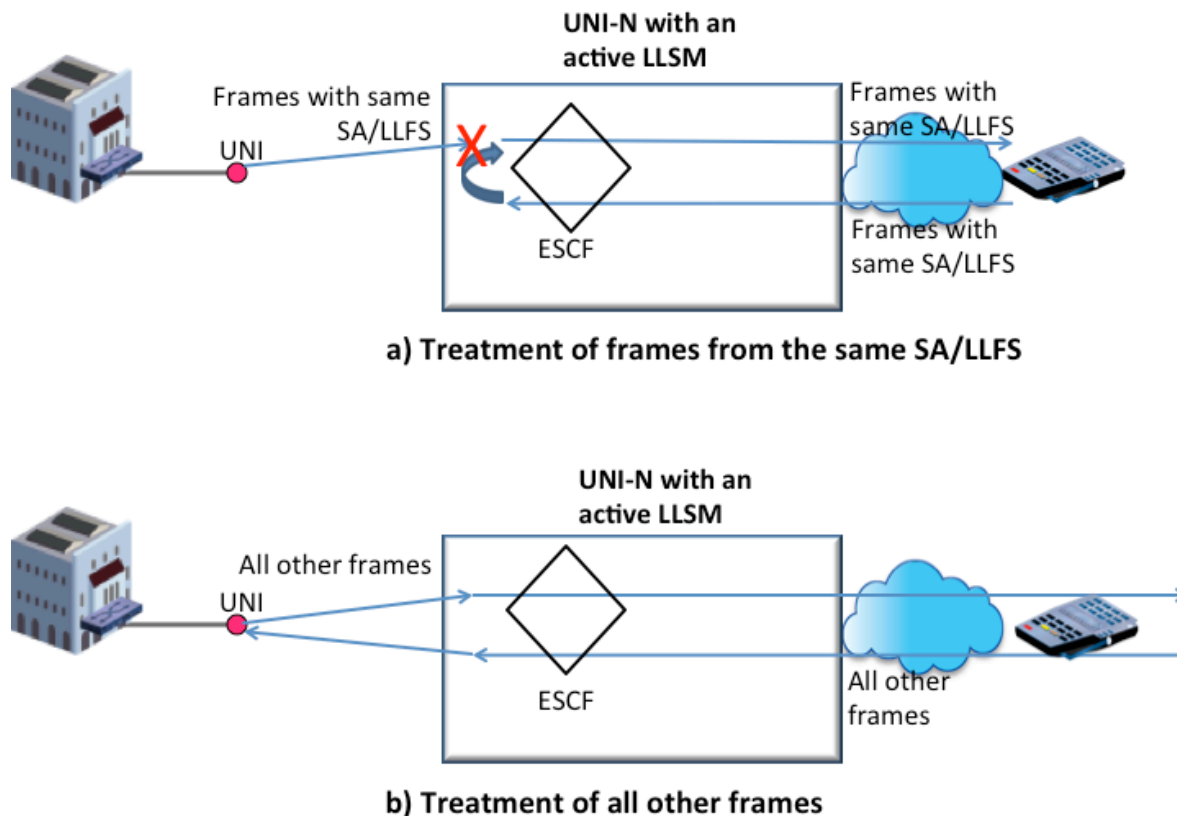
The ETE acting as a Latching Loopback Controller sends appropriate commands to loopback an LLFS within an LLF at a Latching Loopback Responder as detailed in section 8. If the MAC ad-

address of the port on the Latching Loopback Responder is unknown, the ETE first transmits a multicast Latching Loopback State Request as detailed in sections 8.2.1 and 8.3. It then receives replies with the MAC addresses from all addressable ports on the LLDs for the LLFS to be tested that are NOT in the Latching Loopback Prohibited state. With all of these MAC addresses known, the test equipment can send a unicast Latching Loopback Activate Request message to one of those looping ports as detailed in sections 8.2.3 and 8.3.

The LLSM in the LLF corresponding to the port, the LLFS, and the SA from which the request was received responds with a Latching Loopback Activate Reply message, and goes into the Latching Loopback Active state for frames in that LLFS. In this state, the LLSM returns all Loopable Frames in that LLFS received from the same direction as the request, and from the originating SA. As each frame is returned, the SA and DA are swapped to ensure that the frame returns to the test equipment; and the FCS is therefore recalculated. Frames that are received that are not in the LLFS under test do not pass through the LLSM for the LLFS under test, and hence continue to be forwarded as normal. Also, frames that are received that are not from the SA under test do not pass through the LLSM for the SA under test, and hence continue to be forwarded or discarded as normal.

The test equipment may send all types of Ethernet frames within the LLFS under test as desired, and have all of them that are Loopable Frames with the SA under test looped back.

In Figure 11, an NE with an LLF and that is implementing the UNI-N is shown on the left side of the network. An internal loopback is shown at the UNI-N. The loopback is performed for all Loopable Frames at a given port, on a given LLFS, and that have the same SA as the SA on the Latching Loopback Activate Request, i.e., those frames having the same {port, LLFS, SA}. The Latching Loopback Active State is independent and is maintained separately for each {port, LLFS, SA} in the LLF. Figure 11 illustrates this looping difference for {port, LLFS, SA} frames compared with all other frames.



**Figure 11 – Latching Loopback Active: Detailed Connections and Terminology**

Figure 11 illustrates that:

- Loopable Frames received from the same direction as the request, with the looping SA and the looping LLFS, will be looped,
- frames received from the same direction as the request, with the looping SA and with the looping LLFS, are not forwarded through the LLF,
- frames with the looping SA and LLFS, coming from the opposite direction to the request, will be discarded,
- all other frames (either in a different LLFS or in the same LLFS but with a different SA) received from either direction will be forwarded through the LLF according to the ESCF, port/VID mapping, and other normal device functions not associated with Latching Loopback.

Multiple Latching Loopbacks may be simultaneously operational in a single LLF. Although the ability to support one loopback is required, the number of simultaneous Latching Loopbacks to be provided is left unspecified.

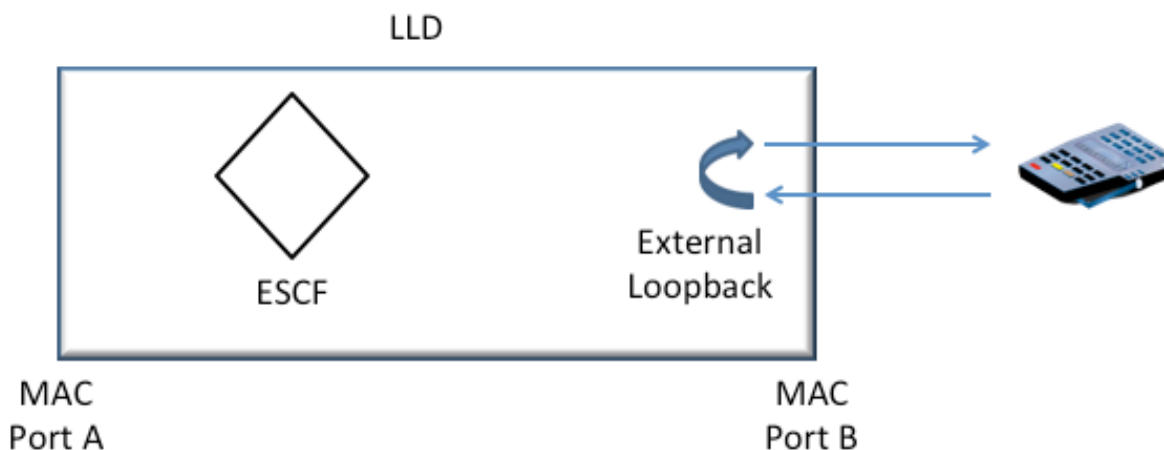
Although Figure 11 is shown with operational subscriber equipment plugged into the UNI-N on the left-hand side, there is no guarantee that this will be the case. When an Internal Loopback is active, the operational state of the EI may be down or up, and that should not affect the loopback operation. Manufacturers of UNI-C and UNI-N equipment that support this specification should



be aware that very often during the time that a service is activated, the connectivity and performance must be evaluated prior to the circuit being turned over to the subscriber, and thus prior to the subscriber's equipment being plugged in with active links.

Note: When a Latching Loopback is active, because only packets matching the specified LLFS and SA are looped at the port, the port as a whole is otherwise operating normally. Accordingly, the port status is not changed, e.g., the operational status of the port is not changed as a result of a Latching Loopback being active, and neither does Latching Loopback being active cause a port to be placed in a locked state.

Figure 12 shows an external loopback in which the conditioning function is never traversed in either direction. At an ENNI where a conditioning function is not invoked, it may be preferable to do an external loopback at the ENNI-N to get to the very closest point to the ENNI to do the performance check. Ethernet Test Equipment-Instruments may be temporarily connected to the UNI-N, acting in the role of a UNI-C. These temporarily attached devices may not support conditioning functions and may not feature forwarding of frames between two ports. In this case, they may implement this specification in an external loopback through the one port that is connected to the service under test.



**Figure 12 – External Loopback**

If the test session is to last more than the value of the Loopback Expiration Timer, the test equipment refreshes the timer with another Latching Loopback Activate Request to keep the loopback active. If the Loopback Expiration Timer expires, the LLSM in the LLF sends a Latching Loopback Deactivate Reply and returns to the Latching Loopback Inactive state.

When the test session is complete, the test equipment sends a Latching Loopback Deactivate Request. The LLSM in the LLF responds with the Latching Loopback Deactivate Reply and returns to the Latching Loopback Inactive state.

### 7.3 Latching Loopback Requirements

- [R1] The LLF **MUST** be capable of associating an LLSM with a MEP.
- [R2] At an ENNI, if a MIP is present, then the LLF **MUST** be capable of associating an LLSM with the MIP.
- [R3] At a UNI, if a MIP is present, then the LLF **MUST** be capable of associating an LLSM with the MIP.
- [R4] The external behavior of a LLF **MUST** be indistinguishable from that exhibited by instantiating an instance of the Latching Loopback State Machine on every possible {port, LLFS, SA} tuple, where each LLSM conforms to the specification in 7.1.

Note: This does not require that implementations actually instantiate a state machine for every possible {port, LLFS, SA}. In particular it is noted that no state needs to be maintained for state machines in Latching Loopback Prohibited state. In addition it is possible to instantiate a state machine for a given {port, LLFS, SA} only when a corresponding LL Activate message is received, since in Latching Loopback Inactive state, data traffic is handled normally. If a LLSM denoted by {port, LLFS, SA} is not in the Latching Loopback Active state and is not in the Latching Loopback Prohibited state, it can be considered to be in the Latching Loopback Inactive state.

- [R5] The link state of a given port associated with an LLF **MUST NOT** have any impact on the behavior of the LLSMs associated with the port when responding to LLMs received by the LLF via a different port.

#### 7.3.1 Latching Loopback Provisioning

- [R6] The default state for all LLSMs within an LLD **MUST** be Latching Loopback Prohibited.
- [R7] The LLD **MUST** be able to be provisioned on a per {port, LLFS} basis to set the state of all LLSMs for that {port, LLFS} to either the Latching Loopback Prohibited state or the Latching Loopback Inactive state.
- [D1] The LLD **SHOULD** be able to be provisioned on a per {port, LLFS, SA} basis<sup>9</sup> to set the state of all LLSMs for that {port, LLFS, SA} to either the Latching Loopback Prohibited state or the Latching Loopback Inactive state.
- [D2] The LLD **SHOULD** be able to be provisioned to set the state for all LLSMs within the LLF to either the Latching Loopback Prohibited state or the Latching Loopback Inactive state.

<sup>9</sup> In order to provision on a per {port, VLAN, SA} basis, the SA from which a Latching Loopback request would be received would have to be known a priori.

- [D3] The LLD **SHOULD** be able to be provisioned on a per port basis to set the state for all LLSMs on that port to either Latching Loopback Prohibited or Latching Loopback Inactive states.

### 7.3.2 Latching Loopback Prohibited State

- [R8] An LLSM in Prohibited state **MUST** remain in Prohibited state across rebooting or restarting of the LLD or the port in the LLD implementing the LLSM.

### 7.3.3 Latching Loopback Inactive State

- [R9] An LLSM in Inactive state **MUST** remain in Inactive state across rebooting or restarting of the LLD or the port in the LLD implementing the LLSM.

### 7.3.4 Latching Loopback Active State

When a Latching Loopback is active, SOAM frames received at the same MEG Level or a lower MEG Level as the MP associated with the LLF are handled as is normal for those SOAM frames. All other frames from the specified SA with the specified LLFS received from the specified port are looped (unless they are consumed by a MEP at a higher MEG Level or by a MIP).

The following requirements are specific to the Active state.

- [R10] An LLSM in Active state **MUST** revert to Inactive state after rebooting or restarting of the LLD or the port in the LLD implementing the LLSM.
- [R11] An LLF **MUST** be able to support at least one {port, LLFS, SA} in the Latching Loopback Active State.
- [R12] If an Internal Loopback is activated, frame received at the EI from the CEN **MUST** be subjected to any egress conditioning function (e.g., ESCF or EPCF) and subsequently subjected to any ingress conditioning function.
- [R13] If an External Loopback is activated, frames received at the EI from the External Network **MUST NOT** be subjected to any egress conditioning function (e.g., ESCF or EPCF) or to any ingress conditioning function.
- [R14] In the Latching Loopback Active state for a given {port, LLFS, SA}, the Latching Loopback **MUST** swap each loopable unicast frame's SA with the DA and recalculate the FCS as a part of looping back each looped frame.
- [R15] In the Latching Loopback Active state for a given {port, LLFS, SA}, in the case where a {port, LLFS, SA} frame is received with a multicast or broadcast DA, the LLSM **MUST**:
- set the SA of the looped egressing frame to be the MAC address of the port where the Latching Loopback is located;
  - set the DA of the looped egressing frame to be the SA of the received frame;

- and recalculate the FCS in the transmitted frame based on the revised frame arrangement.

**[R16]** When an LLR is sent by an LLF for an LLSM instance on a given {port, LLFS, SA}, the SA **MUST** be set to the MAC address of the MEP or MIP associated with the LLSM.

In Latching Loopback Active state, one of the following 5 cases must apply, corresponding with the 5 cases in which an LLFS is defined:

- a) If the LLFS contains frames that are untagged at an EI, then all untagged frames passing through the LLF at that EI with the given SA are looped back. This would be the case, for example, at a UNI for a port-based service or at an ENNI. The associated MP could be, for example, a port-level Down MEP.
- b) If the LLFS contains frames that contain a C-tag with a given CE-VLAN ID at a UNI, then all frames that contain that CE-VLAN ID as they pass through the LLF at that UNI, with the given SA, are looped back. This would be the case, for example, at a UNI for a VLAN-based service. The associated MP could be, for example, an Up MEP associated with the given CE-VLAN ID (which might or might not be its primary VID).
- c) If the LLFS contains frames that contain an S-tag with a given S-VLAN ID, at an ENNI that does not have a VUNI for that S-VLAN ID, or at an ENNI that has a VUNI for that S-VLAN ID if the LL Activate Request was received over the ENNI, then all frames that contain that S-VLAN ID as they pass through the LLF at that ENNI, with the given SA, are looped back. This would be the case, for example, at an ENNI where the given S-VLAN ID is associated directly with an OVC End Point. The associated MP could be, for example, a down MEP associated with the given S-VLAN ID (which might or might not be its primary VID). In the case where the ENNI has a VUNI for the given S-VLAN ID, and the LL Activate request was received over the ENNI, the MP can only be a MIP or a down MEP, and the Latching Loopback can only be an External Loopback.
- d) If the LLFS contains frames that contain an S-tag with a given S-VLAN ID, at an ENNI that has a VUNI associated with that S-VLAN ID, and that do not contain a C-tag, then all frames that contain that S-VLAN ID and do not contain a C-tag as they pass through the LLF at that ENNI, with the given SA, are looped back. This would be the case, for example, at an ENNI with a VUNI for the given S-VLAN ID, where the VUNI has an OVC End Point where untagged frames are mapped to a VLAN-based service<sup>10</sup>. The associated MP could be, for example, a MIP on the VUNI associated with a CE-VLAN ID that uses untagged frames. The associated MP could be, for example, a MIP on the VUNI associated with untagged frames.
- e) If the LLFS contains frames that contain an S-tag with a given S-VLAN ID, at an ENNI that has a VUNI associated with that S-VLAN ID, and a C-tag with a given CE-VLAN

---

<sup>10</sup> One might use a VUNI for the untagged service in order to map EVCs based on DSCP, which can be done only at a UNI (or VUNI).

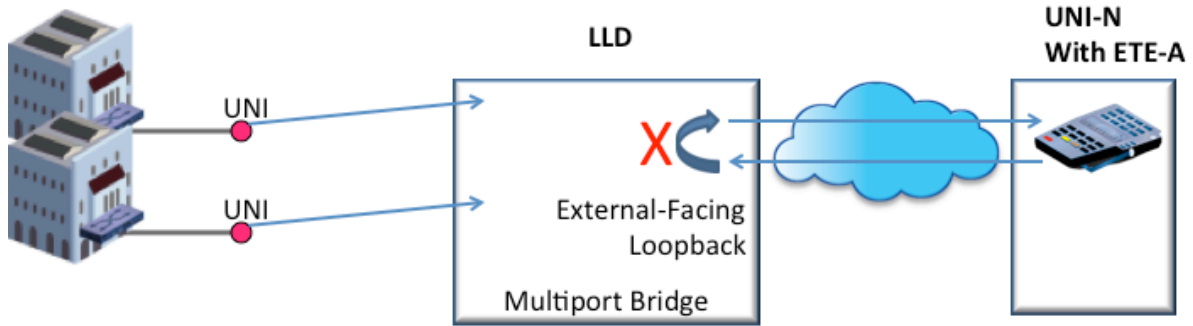
ID, then all frames that contain that S-VLAN ID and CE-VLAN ID as they pass through the LLF at that ENNI, with the given SA, are looped back. This would be the case, for example, at an ENNI with a VUNI for the given S-VLAN ID, where the VUNI has an OVC End Point for a VLAN-based service. The associated MP could be, for example, a MIP on the VUNI associated with the given CE-VLAN ID (which might or might not be its primary VID).

Note 1: A device that is not CE-VLAN aware, receiving a frame that is CE-VLAN tagged, will treat it as a data frame; i.e., by default it will forward it. This means that one cannot loopback on an EVC basis to an RUNI, and one would therefore probably choose the corresponding VUNI instead.

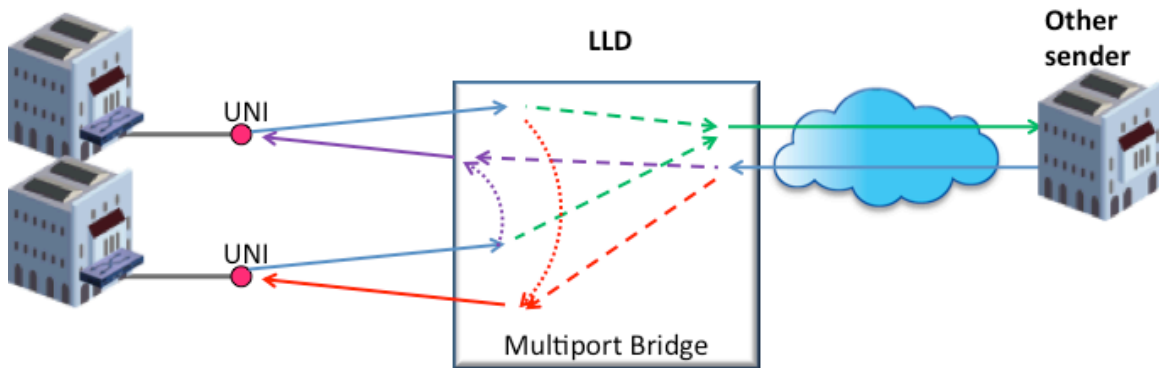
Note 2: Because the S-VLAN ID is not changed on a loopback at an ENNI, it is not possible to do a loopback on an E-Tree service from a leaf UNI to an ENNI-N on the far side of an ENNI EI.

Note 3: An S-tagged frame arriving over an ENNI may belong to more than one LLFS, if the S-VLAN ID is associated with a VUNI. In this case the frame is looped back if the LLSM for any of the corresponding LLFSs is in the Latching Loopback Active State.

There are no special considerations for Latching Loopback being performed on a multipoint service because only the traffic from the originating SA sent to the port doing the loopback will be looped. See Figure 13.



a) Treatment of frames from the same Source MAC address as the LL Activate Request message for a multipoint EVC at bridge



b) Treatment of frames from all other Source MAC Addresses in the same multipoint EVC at bridge

Figure 13 – Latching Loopback Details for a Multipoint Service Mapped at 3-ports

## 8. Message Protocol

### 8.1 Overview

Invoking the Latching Loopback capabilities requires the use of appropriate messages exchanged between the test equipment and the LLF. Basic LL processes are as follows:

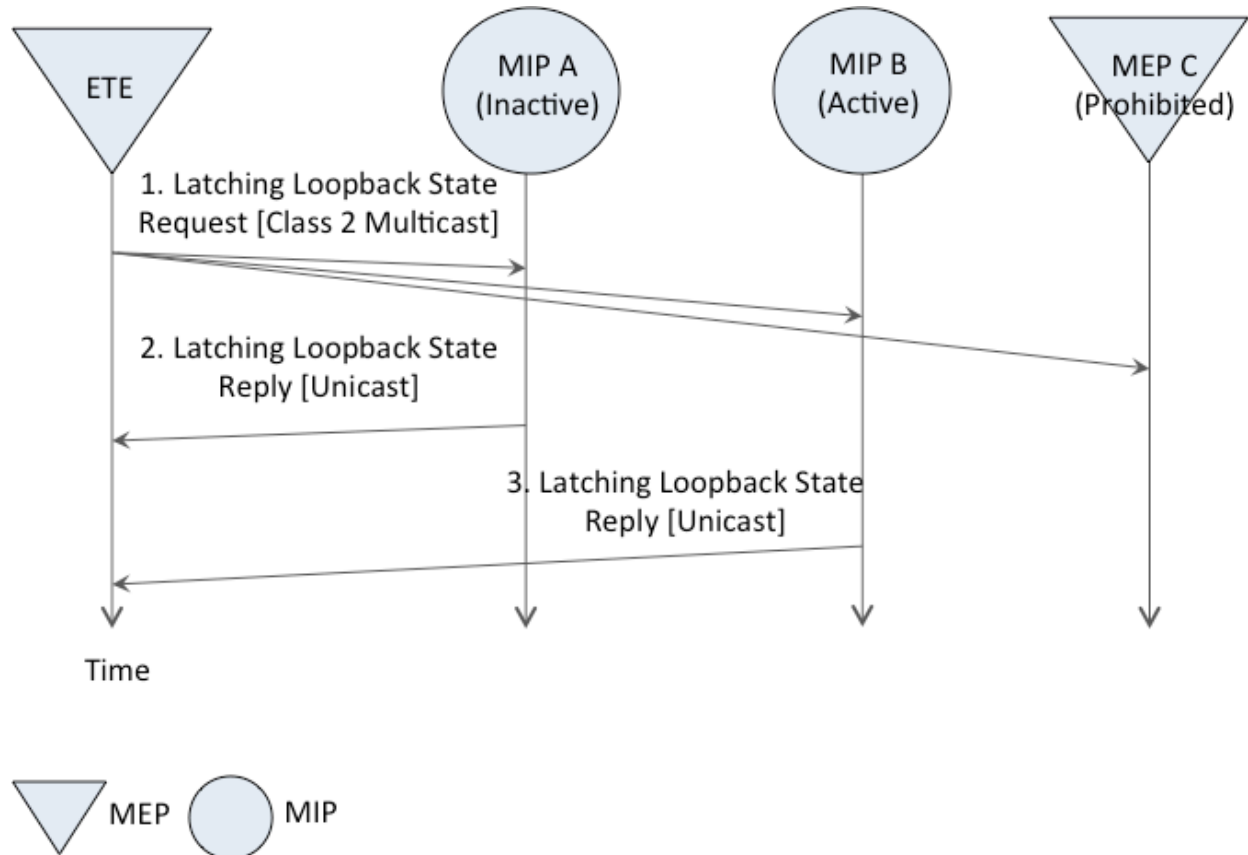
- **Discovery**, a multicast state request where the test equipment learns the MAC addresses of ports associated with LLFs that are available for loopback for the LLFS in which the state request was sent;
- **State Verification**, where the test equipment verifies the state of a loopback on a particular {port, LLFS, SA};
- **Loopback Activation**, where the test equipment puts an LLSM into the Latching Loopback Active state; and
- **Loopback Deactivation**, where the test equipment puts an LLSM into the Latching Loopback Inactive state.

### 8.2 Message Interchange Diagrams

The flow of messages to invoke the various Latching Loopback capabilities is described here.

#### 8.2.1 Discovery

Discovery is accomplished with the exchange of a multicast Latching Loopback State Request message sent to all MPs in a given LLFS at a specified MEG Level. Each MP supporting a Latching Loopback State Machine will then respond with a unicast Latching Loopback State Reply, as shown in Figure 14 below. When there are MPs on different ports in an LLD that all receive the multicast Latching Loopback State Request, each one passes it to its LLSM associated with that LLFS and SA, and each LLSM not in Latching Loopback Prohibited State generates a reply. Each reply indicates if the responding LLSM is in the Active or Inactive state for the originating SA, and, if Active, the number of seconds remaining and whether the loopback is an Internal Loopback or an External Loopback.



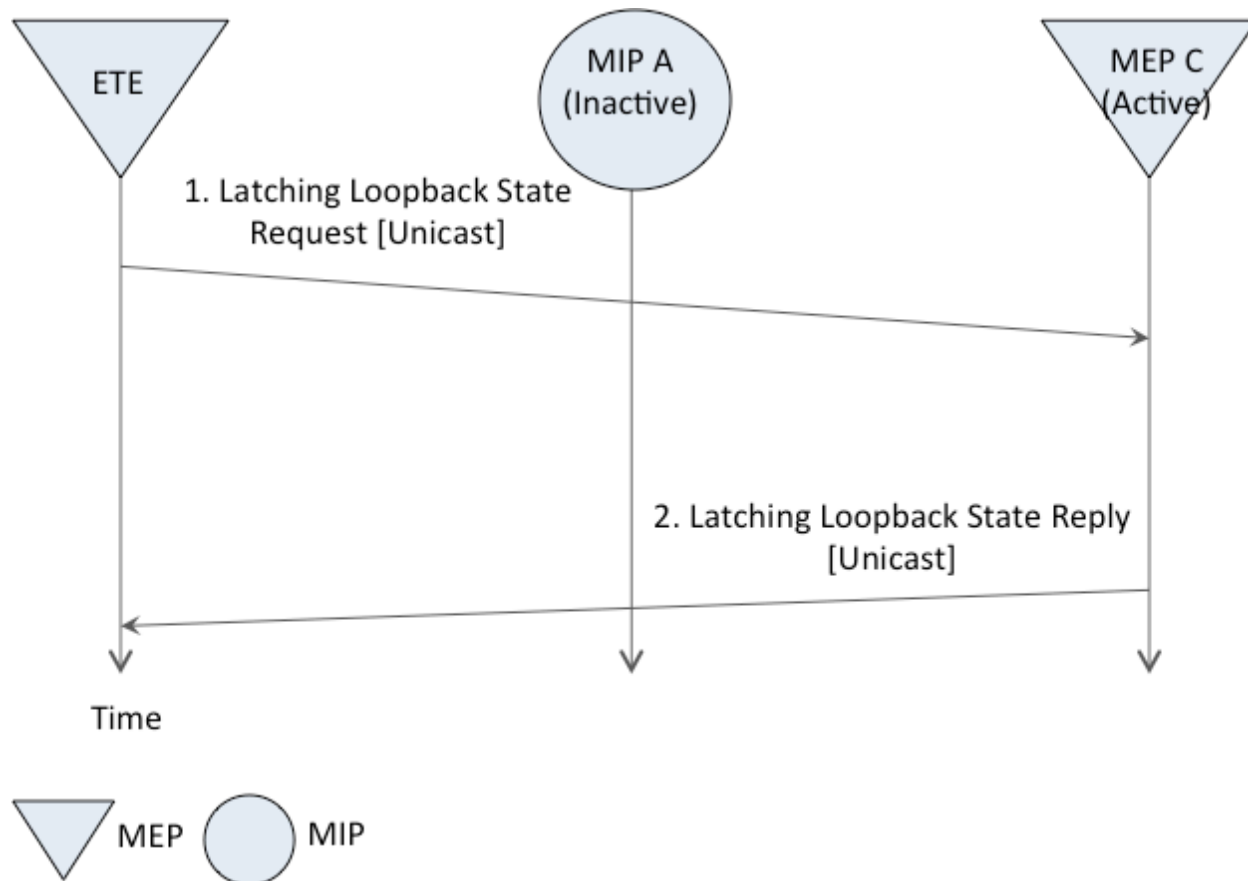
**Figure 14 – Discovery Message Interchange**

### 8.2.2 State Verification

The Latching Loopback state of a specific LLSM associated with a specific {port, LLFS, SA} can be verified at an LLF by sending the Latching Loopback State Request to the unicast DA of an MP associated with the port being queried. If the MP uses a shared MAC address, the MAC address of the port being queried is included in the request. The reply indicates if the responding Latching Loopback State Machine is in the Active or Inactive state for the originating SA, and, if Active, the number of seconds remaining and whether the loopback is an Internal Loopback or an External Loopback. See Figure 15.

Note: State verification uses the same LLM as Discovery, but with a unicast DA.

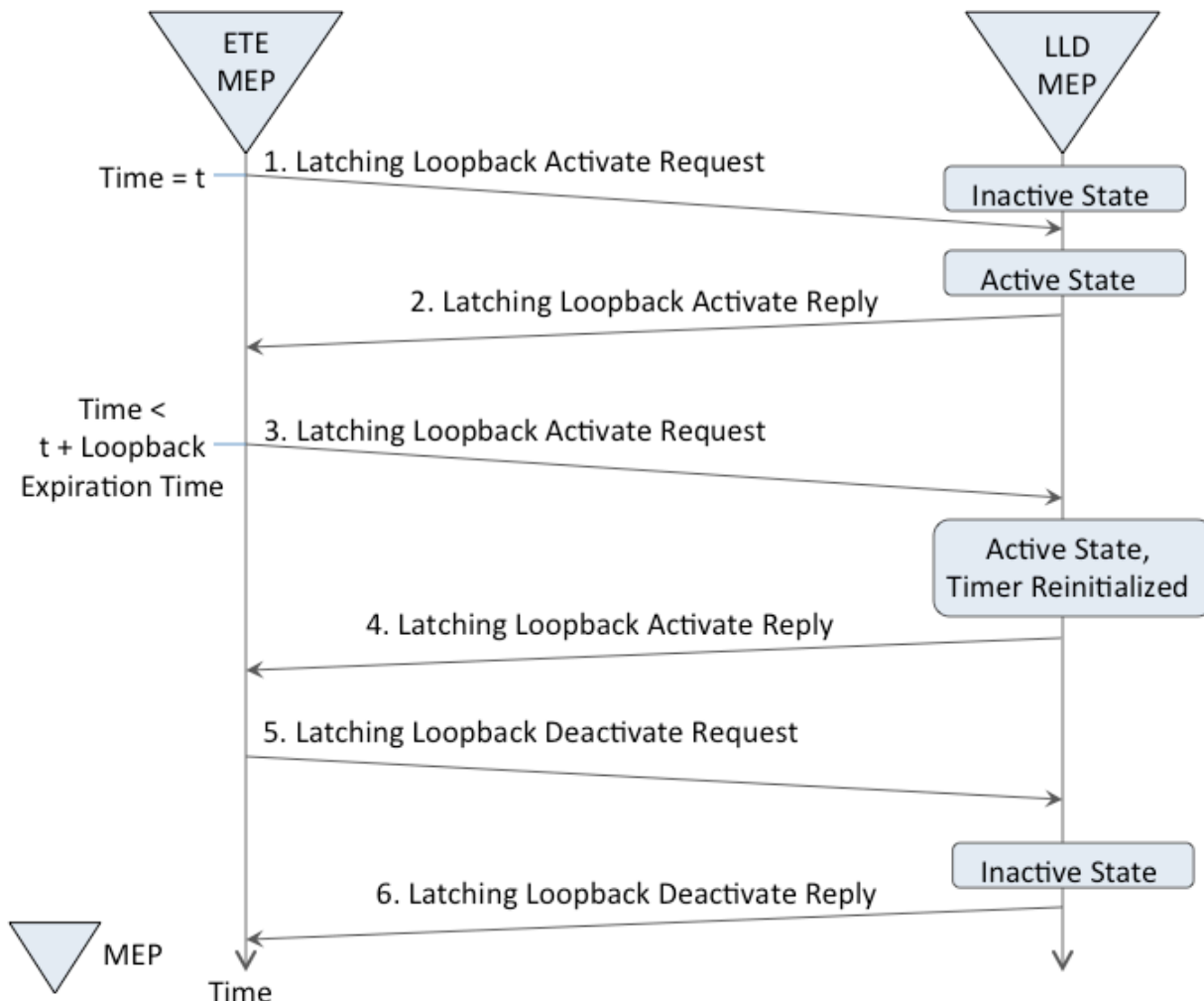




**Figure 15 – State Verification Message Interchange**

### 8.2.3 Loopback Activation and Deactivation

Loopback Activation is accomplished with a message interchange as shown in Figure 16. The ETE sends a Latching Loopback Activate Request, and the LLF responds with a Latching Loopback Activate Reply. If the request is granted, then the Response Code is set to No Error or Already Active, as applicable; otherwise the Response Code indicates the reason for not granting the request. The duration of the Latching Loopback Expiration Timer is included as part of the request. If the test session lasts longer than the Latching Loopback Expiration Timer, the ETE sends another Latching Loopback Activate Request prior to the expiration of the Loopback Expiration Timer, as many times as needed to keep the Latching Loopback active for as long as the test lasts. In response, the LLF reinitializes its Latching Loopback Expiration Timer and sends a Latching Loopback State Reply. At the end of the test, the ETE deactivates the loopback by sending a Latching Loopback Deactivate Request. The LLF responds by changing to the Latching Loopback Inactive state and sending a Latching Loopback Deactivate Reply to the ETE. Alternatively, if the Latching Loopback Expiration Timer expires, then the Latching Loopback State Machine transitions to the Inactive state and sends a Latching Loopback Deactivate Reply to the originating SA.



**Figure 16 – Loopback Activation Message Interchange**

### 8.2.4 Latching Loopback Protocol Resiliency

Because the Latching Loopback protocol does not use a reliable transport and because LL does not have a built-in mechanism to assure delivery, the latching loopback protocol messages might not be delivered due to network impairments. See Appendix A for more details.

### 8.3 Protocol Syntax

Latching Loopback requests use the Latching Loopback Message (LLM) described in this section. The LLM is constructed by a Latching Loopback Controller as an Ethernet Frame containing the fields shown in Figure 17. Unicast requests are sent to the MAC address of an MP associated with the port. (Note that when the MP uses shared addressing, this might not be the MAC address of the port.) The MAC address of the port is included in the Loopback Port MAC Ad-



way, i.e., such that implementations of this version of the protocol do not reject Latching Loopback Control Message PDUs generated by a future version.

### 8.3.1 MEL

The 3-bit MEL field contains the MEG Level of the MP to which the message is directed.

### 8.3.2 Version

The 5-bit Version field contains the version of the Latching Loopback Message (LLM) or Latching Loopback Reply (LLR). For this standard, the value is always set to 0.

### 8.3.3 OpCode

The OpCode field identifies this message as an LLM or LLR. The value for an LLM is 57. The value for an LLR is 56.

### 8.3.4 Flags

The Flags field bits for Latching Loopback Control Messages are defined in Table 2. Reserved bits are transmitted as 0s and ignored on receipt.

| Flag bit | Name               | Description            |
|----------|--------------------|------------------------|
| 1        | Loopback Status    | 0=Inactive, 1=Active   |
| 2        | Loopback Direction | 0=Internal, 1=External |
| 3        | Unrecognized TLV   | 0=None, 1=One or more  |
| 4        |                    | Reserved               |
| 5        |                    | Reserved               |
| 6        |                    | Reserved               |
| 7        |                    | Reserved               |
| 8        |                    | Reserved               |

**Table 2 – Flag Field Definitions**

#### 8.3.4.1 Loopback Status

The Loopback Status flag is significant in the LL Activate Reply, LL Deactivate Reply, and LL State Reply. In all other messages, the value is set to 0 on transmission and ignored on receipt. When set to 0 in the messages for which it is significant, it indicates that the LLSM is in the Inactive state. When set to 1, it indicates that the LLSM is in the Active state.

### 8.3.4.2 Loopback Direction

The Loopback Direction flag is significant if and only if the Loopback Status flag is 1. If the Loopback Status flag is 0, the Loopback Direction flag is set to 0 on transmission and ignored on receipt. When set to 0 in the messages for which it is significant, it indicates that the loopback is an Internal Loopback. When set to 1, it indicates that the loopback is an External Loopback.

### 8.3.4.3 Unrecognized TLV

The Unrecognized TLV flag is significant only in LLRs and is ignored in LLMs. When set to 0 in an LLR, it indicates that all TLVs (if any) in any corresponding LLM were recognized. When set to 1, it indicates that one or more of the included TLVs were not recognized in a corresponding LLM.

### 8.3.5 TLV Offset

The TLV Offset field is set to 8 to indicate that any LL TLVs start 8 octets after this field, as specified in G.8013/Y.1731.

### 8.3.6 Message Type

The values for the Message Type are shown in Table 3.

| Message Type | Message Name  | LLM Description       | LLR Description     |
|--------------|---------------|-----------------------|---------------------|
| 0            |               | Reserved              | Reserved            |
| 1            | LL Activate   | LL Activate Request   | LL Activate Reply   |
| 2            | LL Deactivate | LL Deactivate Request | LL Deactivate Reply |
| 3            | LL State      | LL State Request      | LL State Reply      |
| 4 – 255      |               | Reserved              | Reserved            |

**Table 3 – Latching Loopback Control Message Types**

- [R22] LLRs **MUST** be sent with the same Message Type value as the LLM being responded to.
- [R23] Latching Loopback Control Messages received with valid syntax and with a Message Type in the reserved range **MUST** be discarded.
- [R24] LLMs received with valid syntax and with a Message Type in the reserved range **MUST** be responded to with a Response Code of Unknown Message Type.
- [D4] LLRs other than a LL Deactivate Response, that are received when no corresponding LLM has been sent, **SHOULD** be ignored.

Note: Because the implementation of a Latching Loopback Controller is not provided by this document, what action, if any, that a Latching Loopback Controller takes in response to receiving multiple unexpected LLRs is not provided.

- [R25] All LLRs, and all LLMs except an LL State Request **MUST** have a unicast DA.
- [R26] An LL State Request **MUST** have a unicast or class 2 multicast DA, as specified in G.8013/Y.1731 clause 10.1.

### 8.3.7 Response Code

In LLRs, the Response Code field indicates the error or status of a reply. In LLMs, this field is set to 0 and ignored upon receipt. Possible values for Latching Loopback are shown in Table 4.

| Response Code | Name                  | Description                                                                                                                                                                                                                     |
|---------------|-----------------------|---------------------------------------------------------------------------------------------------------------------------------------------------------------------------------------------------------------------------------|
| 0             | No Error              | The action requested in the LLM completed successfully.                                                                                                                                                                         |
| 1             | Malformed Request     | An LLM was received that could not be parsed or did not conform to this specification.                                                                                                                                          |
| 2             | Max Sessions Exceeded | A new LL Session could not be activated because the maximum number of active sessions supported on the device or port has already been reached.                                                                                 |
| 3             | Resource Unavailable  | The LLF supports the requested action (including Max Sessions having not been exceeded), but does not currently have a resource needed to provide the requested action.                                                         |
| 4             | Already Active        | The LL Activate Request was successful, although the LLSM was already in the Latching Loopback Active state. The Expiration Timer will be changed to the new value provided. There was no other change to the LL state machine. |
| 5             | Already Inactive      | The LL Deactivate Request was successful, although the LLSM was already in the Inactive state. There was no change to the LLSM.                                                                                                 |
| 6             | Unsupported           | The LLF does not support the requested action.                                                                                                                                                                                  |
| 7             | Wrong MP              | The LL Activate Request was unsuccessful because the LLSM associated with the MP to which the request was sent has been activated by a different MP.                                                                            |
| 8             | Timeout               | The Expiration Timer has expired. The state has been changed to the Latching Loopback Inactive state.                                                                                                                           |
| 9             | Prohibited            | The state has been changed to the Latching Loopback Prohibited state.                                                                                                                                                           |
| 10            | Unknown Message Type  | The value of the Message Type field is not a recognized value.                                                                                                                                                                  |
| 11 – 254      |                       | Reserved                                                                                                                                                                                                                        |
| 255           | Unknown Error         | Any other error not covered by the previous Response Codes.                                                                                                                                                                     |

**Table 4 – MEP Control Message Response Codes**

**[R27]** An LLR received with a Response Code in the Reserved range **MUST** be treated as if the Response Code was 255 (Unknown Error).

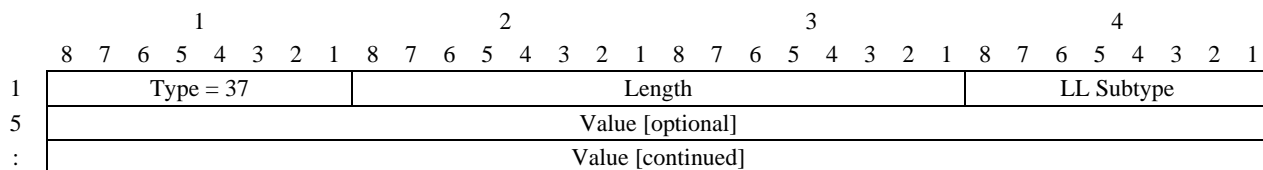
### 8.3.8 Loopback Port MAC Address

In unicast LLMs, the Loopback Port MAC Address field provides the MAC address of the loopback port. For devices that use the Shared MP Address Model, this can be used to identify the correct MP to handle the message, i.e., the MP that uses the shared address and is instantiated on the port whose MAC address is contained in the Loopback Port MAC Address field. In multicast LL State Request messages, this field is set to 0 on transmission and ignored on receipt. In LLRs (which are always unicast), this field is set to the MAC address of the port corresponding to the responding LLSM. If the LLD uses the Shared MP Address Model, this allows the Latching Loopback Controller to distinguish between responses from different ports, which may all have the same SA.

- [R28] If an LLD uses the Individual MP Address Model and receives a unicast LLM with the Loopback Port MAC Address set to a different value than the DA, it **MUST** respond with a Response Code of Malformed Request (1).
- [R29] If an LLD uses the Shared MP Address Model and receives a unicast LLM with the destination MAC set to the shared address, but the Loopback Port MAC Address does not contain the MAC address of a port on the device, the LLF **MUST** respond with a Response Code of Malformed Request (1).
- [R30] If an LLD uses The Shared MP Address Model and receives a unicast LLM with the destination MAC set to the shared address, and the Loopback Port MAC Address set to the MAC address of a port on the device, but there is no MP at the given MEG Level and VLAN using the shared address and instantiated on the port identified by the Loopback Port MAC Address, the LLF **MUST** discard the request and not send a response.
- [R31] The Loopback Port MAC Address field **MUST** contain a valid unicast MAC address.

### 8.3.9 TLVs

TLVs in Latching Loopback Control PDUs are encoded according to G.8013/Y.1731 clause 9 and 802.1Q clause 21.5. LL TLVs have Type 37 and are encoded using the Latching Loopback TLV, as shown in Figure 18. Other TLVs, including the End TLV and Organization-Specific TLV (defined in 802.1Q) may also be included in Latching Loopback Control PDUs, subject to the requirements below.



**Figure 18 – Latching Loopback TLV Format**



The LL Subtype values are specified in Table 5.

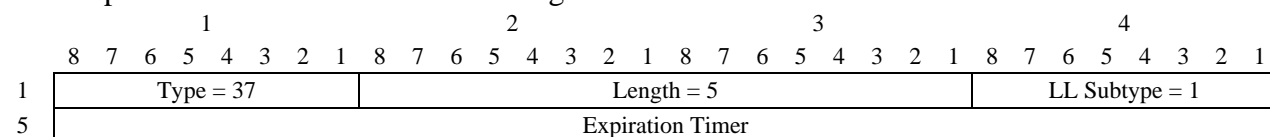
| LL Subtype Value | Description          |
|------------------|----------------------|
| 0                | Reserved             |
| 1                | Expiration Timer TLV |
| 2 – 255          | Reserved             |

**Table 5 – Latching Loopback TLV Subtypes**

- [R32] TLVs in LL PDUs **MUST** conform to the TLV format specified in G.8013/Y.1731 and 802.1Q.
- [R33] TLVs **MUST** be accepted in whatever order received.
- [R34] Any TLV with an unrecognized Type, received in an LLR, **MUST** be ignored.
- [R35] A TLV with a Type of Organization-Specific TLV (31), and with an unrecognized OUI, received in an LLR, **MUST** be ignored.
- [R36] Any LL TLV with an LL Subtype in the Reserved range, received in an LLR, **MUST** be ignored.
- [R37] Any TLV with an unrecognized Type, received in an LLM, **MUST** be copied without modification into any corresponding LLR with the Unrecognized TLV flag set, and otherwise ignored.
- [R38] A TLV with a Type of Organization-Specific TLV (31), and with an unrecognized OUI, received in an LLM, **MUST** be copied without modification into any corresponding LLR with the Unrecognized TLV flag set, and otherwise ignored.
- [R39] Any LL TLV with an LL Subtype in the Reserved range, received in an LLM, **MUST** be copied without modification into any corresponding LLR with the Unrecognized TLV flag set, and otherwise ignored.
- [R40] An LL message containing more than one LL TLV of the same Type and the same Subtype **MUST** be discarded.
- [R41] An LLM containing more than one LL TLV of the same Type and the same Subtype **MUST** be responded to with a Response Code of Malformed Request (1).

### 8.3.9.1 Expiration Timer TLV

The Expiration Timer TLV is shown in Figure 19.



**Figure 19 – Expiration Timer TLV format**

The fields of the Expiration Timer TLV format are as follows:

- Type: Identifies TLV type. The value for this TLV type is Latching Loopback TLV (37).
- Length: Identifies size, in octets, LL Subtype and Expiration Timer fields. For this TLV, the value is 5.
- LL Subtype: Identifies which Latching Loopback TLV subtype this is. The value for this TLV is Expiration Timer (1).
- Expiration Timer: When included in an LL Activate Request, this indicates the number of seconds to which the Latching Loopback Expiration Timer is to be set. If the loopback is already in Active state, this may increase or decrease the time remaining on the timer. When included in an LLR with the Loopback Status flag set to Active (1), this indicates the number of seconds remaining on the Latching Loopback Expiration Timer. For all other messages, usage of this TLV is undefined and is ignored.

- [R42]** An LLF receiving a Latching Loopback Activate Request **MUST** support an Expiration Timer TLV value of at least 172,800 (48 hours).
- [R43]** A Latching Loopback Activate Request **MUST** contain an Expiration Timer TLV value greater than 0.
- [R44]** An Expiration Timer TLV **MUST** be included in, and only in, all LL Activate Requests and all LLRs that have the Loopback Status flag set to 1.
- [R45]** If an Expiration Timer TLV is received in an LLM other than an LL Activate Request, the LLF **MUST** respond with a Response Code of Malformed Request (1).
- [D5]** If an Expiration Timer TLV is received in an LLR with the Loopback Status flag set to 0, the TLV **SHOULD** be ignored.

### 8.3.10 End TLV

An End TLV, consisting of a single octet set to 0, is optionally transmitted at the end of all TLVs (if any) to indicate that there are no (more) TLVs.

## 9. References

- [1] MEF 10.3, Ethernet Services Attributes, Phase 3 October 2013
- [2] MEF 26.1, External Network Network Interface, Phase 2, January 2012
- [3] IETF RFC 2119, Key words for use in RFCs to Indicate Requirement Levels, March 1997
- [4] MEF 30.1, Service OAM Fault Management Implementation Agreement, Phase 2, January 2013
- [5] MEF 4, Metro Ethernet Architecture Framework – Part 1: Generic Framework, May 2004
- [6] MEF 12.2, Carrier Ethernet Network Architecture Framework, Part 2: Ethernet Services Layer, October 2013
- [7] IEEE 802.1Q, Virtual Bridged Local Area Networks, August 2011
- [8] IEEE 802.1D, Media Access Control Bridges, June 2004
- [9] IETF RFC 2544, Benchmarking Methodology for Network Interconnect Devices, March 1999
- [10] ITU-T Y.1564, Ethernet service activation test methodology, March 2011
- [11] IEEE 802, IEEE Standard for Local and Metropolitan Area Networks: Overview and Architecture, February 2002
- [12] ITU-T G.8013/Y.1731, OAM functions and mechanism for Ethernet based networks, November 2013
- [13] MEF 17, Service OAM Requirements & Framework – Phase 1, April 2007

## Appendix A Latching Loopback Protocol Resiliency (Informative)

Because the Latching Loopback protocol does not use a reliable transport and because LL does not have a built-in mechanism to assure delivery, the latching loopback protocol messages might not be delivered due to network impairments.

The use of an expiration timer in the LLSM means that at a high level, the protocol is resilient in the face of any control packet loss, in that the system is guaranteed to eventually return to the normal, loopback-inactive, state. However, it is useful to examine various cases in more detail, as this provides some guidance for a Latching Loopback Controller.

The first question is how the Latching Loopback Controller determines that a control packet has been lost. With the exception of the LL Deactivate Reply, all the control packet exchanges are initiated by the Latching Loopback Controller, and a reply is sent by the LLSM provided it is not in Loopback Prohibited state. If the Latching Loopback Controller does not receive an expected reply to a request, it may therefore infer that one of three possibilities has occurred:

- The LLSM is in Loopback prohibited state – note this includes all devices that do not support the LL protocol at all.
- The request was lost. In this case, there has been no change to the state on the LLSM.
- The reply was lost. In this case, the LLSM may or may not have changed state, depending whether the request was successful.

Since it is unusual for networks to cause delay to packets of more than a second, a Latching Loopback Controller need only wait a short time after sending a request – for example 5 seconds – before assuming that one of the above possibilities has occurred.

The LL Deactivate Reply, as well as being used to respond to an LL Deactivate Request, is also sent autonomously by the LLSM on expiration of the loopback expiration timer. In addition, when a multicast LL state request is sent, the Latching Loopback Controller may not know from which LLSMs it should expect a reply, and hence will not be able to determine whether any messages were lost. These two special cases are discussed further below.

Once a Latching Loopback Controller has determined that a control packet may have been lost, it can handle it in a number of ways, depending on the type of packet. The following subsections describe the recommended handling for each of the three pairs of packet types.

### A.1 Loopback State Enquiry

The simplest case to deal with is a unicast LL State Request. If a Latching Loopback Controller sends an LL State Request but does not receive a reply, then whatever the cause, there is no change to the state of the LLSM and so the Latching Loopback Controller can simply retry the request after waiting a short time. If there is persistently no reply, the Latching Loopback Controller can wait for at least the expiration time, at which point it can be certain the LLSM is not in Loopback Active state.

For a multicast LL State Request being used for discovery, the handling is more difficult. Since in this case, by definition, a Latching Loopback Controller does not know from which LLSMs it is expecting a reply, it cannot determine whether either the request or any replies have been lost. If it is important that LL state discovery works reliably, then it is recommended that some alternative mechanism is used to ensure reliable connectivity with all parts of the network (for example CFM), and that the discovery process is repeated several times. Alternatively, as in the unicast case, the Latching Loopback Controller can simply wait for at least the expiration time so as to be sure there are no LLSMs in Loopback Active state.

## A.2 Loopback Activate

If a Latching Loopback Controller sends an LL Activate Request but does not receive a reply, it again cannot determine which of the three possibilities was the cause. If the LLSM was in Loopback Prohibited state, or if the request was lost, then the LLSM remains in whatever state it was previously in; if the reply was lost, the LLSM may have moved to Loopback Active state (if the request was successful) or have remained in its previous state (which could be Loopback Active or Loopback Inactive).

In some cases, a Latching Loopback Controller may know through out-of-band means whether a LLSM is in Loopback Prohibited state or not. If this is not the case, then since the Latching Loopback Controller cannot distinguish between the LLSM being in Loopback Prohibited state and a control packet being lost, it is recommended that the Latching Loopback Controller sends one or more unicast LL State Requests before sending the first LL Activate Request. If there is no reply to these LL State Requests, the Latching Loopback Controller may infer that either the LLSM is in Loopback Prohibited state or the network between them is down; in either case, it is recommended not to attempt to send an LL Activate Request. Conversely, if an LL State Reply is received, then the Latching Loopback Controller knows that the LLSM is in Loopback Active or Loopback Inactive state, and can send an LL Activate Request. Note there is still a window in which the LLSM could have been moved into Loopback Prohibited state between responding to the State Request and receiving the Activate Request; in this case it will appear to the Latching Loopback Controller that the activate message or reply has been lost, which can be handled as described below.

Assuming that a Latching Loopback Controller has determined whether the LLSM is in Loopback Prohibited state – either by out-of-band means or by sending LL State Requests as described above – that leaves only two possibilities when no reply is received to an LL Activate Request: either the request was lost or the reply was lost.

The simplest way to distinguish between these cases is to send a unicast LL State Request, and examine the reply. If the LLSM is in Loopback Inactive state, it may be inferred that either the request was lost, or that it was unsuccessful; in either case, it may be retried. If the LLSM is in Loopback Active State, then the remaining expiration time can be examined to see whether it needs to be extended, in which case another LL Activate Request can be resent. If no reply is received to the LL State Request, then it itself can be retried as described in the previous section; failing that, the Latching Loopback Controller can – as in all cases – wait for the expiration time, at which point it will know the LLSM is no longer in Loopback Active state.

### A.3 Loopback Deactivate

Loopback Deactivate Requests are somewhat simpler to handle, as there are only limited cases where they are useful. In particular, it is recommended that they are sent only after a previous successful LL State Request or LL Activate Request. In either case, it is known that the LLSM is not in Loopback Prohibited (unless it has since been moved to that state), and so if no LL Deactivate Reply is received, it may be assumed that either the request or the reply was lost.

As in the case of an activate message, a Latching Loopback Controller cannot determine whether the LLSM has been deactivated (if the request was successful but the reply was lost), or remained in its previous state (if the request was lost or was not successful). However, in this case there is no need to probe for the state; the LL Deactivate Request can be retried directly.

As in the other cases, if there is persistently no reply to the LL Deactivate Requests, the Latching Loopback Controller may wait for the expiration time to be sure the loopback has been deactivated.

In addition to explicit LL Deactivate Requests from a Latching Loopback Controller, the LLSM also sends an LL Deactivate Reply whenever the loopback is deactivated due to the expiration timer expiring. If this message is lost, the Latching Loopback Controller will not receive confirmation that the LLSM has moved to LL Inactive state. Nevertheless, the Latching Loopback Controller can assume that if it has waited sufficiently long, the expiration timer has indeed expired and that the loopback has been deactivated. In order to account for the network latency and any clock skew, it is recommended that a Latching Loopback Controller wait some small amount of time longer than the expiration time –for example 5 seconds – before assuming that the loopback has been deactivated.

If a Latching Loopback Controller does not receive the LL Deactivate Reply that it expects upon expiration of the timer, then it can confirm that the loopback has been deactivated by sending a unicast LL State Request. If no reply is received to the LL State Request, this can be handled as described earlier.

### A.4 Loopback Expiration Time

In the discussion and recommendations above, there is an implicit assumption that a Latching Loopback Controller is aware of the loopback expiration time that it has set in any LL Activate Requests – or is at least aware of the maximum value this may be. This includes the case where a Latching Loopback Controller has been reset while there was a loopback in progress. To this end, it is recommended that a Latching Loopback Controller device uses a fixed value for the expiration time, or that if it is configurable, that the permitted values are restricted to a small range.

It is also recommended that the fixed value, or the maximum permitted value if it is configurable, is relatively short – for example 5 minutes. This is so as to limit the amount of time that a loopback will continue to be active if there is a connectivity problem between a Latching Loopback Controller and the LLSM, such that no LL Deactivate Requests can be successfully sent. It is also recommended that a Latching Loopback Controller attempts to extend the expiration timer

well in advance of it expiring – for example, 1 minute before – so as to leave time to implement the handling described above if no reply is received to the new LL Activate Request.

It is recommended that a Latching Loopback Controller not commence sending test traffic until it has confirmed that the LLSM is in Loopback Active State, either by receiving an LL Activate Reply with no error, or an LL State Reply indicating the LLSM is in Loopback Active state. Likewise, it is also recommended to cease sending test traffic in advance of the expiration timer expiring – for example 10 seconds before – if it is unable to extend the time or confirm that the time has been extended.

Whenever the state of the LLSM is in doubt, because a control packet has been lost, it is recommended that a Latching Loopback Controller err on the side of caution and neither send test traffic nor allow normal data traffic to flow. If a Latching Loopback Controller is unable to confirm the LLSM state via an LL State Request, it is recommended that normal data traffic be resumed only once the Latching Loopback Controller has waited for at least the expiration time after the last LL Activate Request was sent, plus some allowance for network latency and clock skew – for example 5 seconds extra.