

# MEF

## Technical Specification

### MEF 12.2

## Carrier Ethernet Network Architecture Framework Part 2: Ethernet Services Layer

May, 2014

## Disclaimer

The information in this publication is freely available for reproduction and use by any recipient and is believed to be accurate as of its publication date. Such information is subject to change without notice and the Metro Ethernet Forum (MEF) is not responsible for any errors. The MEF does not assume responsibility to update or correct any information in this publication. No representation or warranty, expressed or implied, is made by the MEF concerning the completeness, accuracy, or applicability of any information contained herein and no liability of any kind shall be assumed by the MEF as a result of reliance upon such information.

The information contained herein is intended to be used without modification by the recipient or user of this document. The MEF is not responsible or liable for any modifications to this document made by any other party.

The receipt or any use of this document or its contents does not in any way create, by implication or otherwise:

- a) any express or implied license or right to or under any patent, copyright, trademark or trade secret rights held or claimed by any MEF member company which are or may be associated with the ideas, techniques, concepts or expressions contained herein; nor
- b) any warranty or representation that any MEF member companies will announce any product(s) and/or service(s) related thereto, or if such announcements are made, that such announced product(s) and/or service(s) embody any or all of the ideas, technologies, or concepts contained herein; nor
- c) any form of relationship between any MEF member companies and the recipient or user of this document.

Implementation or use of specific Metro Ethernet standards or recommendations and MEF specifications will be voluntary, and no company shall be obliged to implement them by virtue of participation in the Metro Ethernet Forum. The MEF is a non-profit international organization accelerating industry cooperation on Metro Ethernet technology. The MEF does not, expressly or otherwise, endorse or promote any specific products or services.

© The Metro Ethernet Forum 2014. All Rights Reserved.

## Table of Contents

<b>1. List of Contributing Members</b> .....	<b>1</b>
<b>2. Abstract</b> .....	<b>1</b>
<b>3. Terminology and Acronyms</b> .....	<b>1</b>
<b>4. Scope</b> .....	<b>4</b>
<b>5. Compliance Levels</b> .....	<b>5</b>
<b>6. The ETH Layer Model</b> .....	<b>5</b>
6.1 ETH Layer Characteristic Information .....	7
6.1.1 Connection Indications and VLAN IDs .....	7
6.1.2 CoS Indications, UP/PCP and DEI.....	8
6.1.3 EtherType, User Data and ETH_CI.....	8
6.2 ETH Layer Functional Model: Topological Components & Transport Entities.....	8
6.2.1 ETH Layer Network .....	9
6.2.2 ETH Flow Domain .....	9
6.2.3 ETH Link .....	10
6.2.4 ETH Access Group.....	11
6.3 ETH Sublayers, Aggregation and the IEEE Bridging Model.....	11
6.3.1 Topological Representation of IEEE 802.1D Bridged Network .....	12
6.3.2 Topological Representation of IEEE 802.1Q Bridged Networks .....	12
6.3.3 ETH Layer and the MEF Service Model .....	12
6.4 ETH Connection and ETH Connection Segments.....	13
6.4.1 EC Aggregation and Sublayering in the ETH Layer .....	14
6.4.2 EC Roles: Subscriber EC, Operator ECs and Service Provider EC .....	16
6.4.3 Relationship between ECs and EVCs/OVCs .....	17
<b>7. Reference Models for the ETH Layer Connections</b> .....	<b>20</b>
7.1 EC Types .....	20
7.1.1 Point-to-Point ECs.....	21
7.1.2 Multi-Point ECs.....	22
7.1.3 Rooted Multi-Point EC .....	23
<b>7.1.3.1 Trunk EC and Branch EC</b> .....	<b>23</b>
7.2 Hairpin EC.....	26
7.3 Tunnel ECs .....	28
<b>8. ETH Layer Processing Functions</b> .....	<b>28</b>
8.1 APP to ETH Adaptation Function (EAF) .....	29
8.2 ETH Flow Adaptation Function (EFAF) .....	30
8.3 ETH Flow Termination Function (EFTF).....	30
8.4 ETH Conditioning Functional Elements.....	30
8.4.1 ETH Flow Conditioning Function (EFCF) .....	31
8.4.2 ETH Subscriber Conditioning Function (ESCF).....	31
8.4.3 ETH Provider Conditioning Function (EPCF).....	32
8.5 ETH EC Adaptation Function (EEAF).....	32
8.6 ETH EC Termination Function (EETF) .....	33
8.7 ETH Connection Function (ECF) .....	33
8.8 ETH EC Interconnect Function (EEIF) .....	34
8.9 ETH to TRAN Adaptation function (TAF).....	35

<b>9.</b>	<b>Base ETH Layer Functional Element Models .....</b>	<b>35</b>
9.1	ETH UNI .....	36
9.2	ETH ENNI.....	37
<b>10.</b>	<b>ETH Layer Interface Extensions and Their Functional Elements.....</b>	<b>38</b>
10.1	The Virtual UNI (VUNI) and Remote UNI .....	38
10.1.1	The Remote UNI-N .....	40
10.1.2	The Virtual UNI-N .....	41
10.2	The NID Models and Associated Interfaces .....	42
10.2.1	The Transport NID .....	42
10.2.2	The Service NID.....	44
10.2.3	Hybrid NIDs.....	45
10.2.3.1	H-NID with Basic vNID Functionality .....	47
10.2.3.2	H-NID with Advanced vNID Functionality .....	48
<b>11.</b>	<b>References .....</b>	<b>50</b>
<b>Appendix I: ETH Layer Model for Service OAM .....</b>		<b>51</b>
<b>I.1</b>	<b>Definitions and Modeling Conventions.....</b>	<b>51</b>
I.1.1	Mapping between IEEE and ITU OAM Terminology.....	51
I.1.2	Representing MEPs and MIPs .....	51
<b>I.2</b>	<b>SOAM Functional Model for the ETH Layer.....</b>	<b>52</b>
I.2.1	SOAM Reference Model for the Base EIs.....	52
I.2.1.1	SOAM Entities at a UNI .....	53
I.2.1.1.1	UNI MEG.....	54
I.2.1.1.2	Subscriber MEG .....	54
I.2.1.1.3	EVC MEG.....	54
I.2.1.1.4	SP MEG .....	55
I.2.1.1.5	Operator MEG.....	55
I.2.1.1.6	Test MEG .....	55
I.2.1.2	SOAM Entities at an ENNI .....	55
I.2.1.2.1	ENNI MEG .....	56
I.2.1.2.2	Operator MEG.....	56
I.2.1.2.3	EVC MEG.....	56
I.2.1.2.3	SP MEG .....	57
I.2.2	SOAM Reference Model for the EI Extensions .....	57
I.2.2.1	SOAM Components at the RUNI-N.....	57
I.2.2.1.1	Subscriber MEG .....	58
I.2.2.1.2	UNI MEG.....	58
I.2.2.1.3	UTA SP MEG.....	58
I.2.2.1.4	Operator MEG.....	59
I.2.2.2	SOAM Components at the ENNI with adjunct VUNI-N .....	59
I.2.2.2.1	UTA SP MEG at the VUNI-N.....	59
I.2.2.2.2	EVC MEG at the VUNI-N .....	59
I.2.2.2.3	Subscriber MEG at the VUNI-N .....	60
I.2.2.2.4	Operator MEG at the VUNI-N .....	60
I.2.2.2.5	Other SP MEGs at VUN-N .....	60

## List of Figures

Figure 1: Base ETH Layer Interfaces and Reference Points .....	6
Figure 2: ETH Layer Characteristic Information (ETH_CI) .....	7
Figure 3: Representation of an ETH Layer Network and its topological components.....	9
Figure 4: Topological representation of selective broadcast within an ETH Flow Domain .....	10
Figure 5: MEF Service view from the ETH Layer perspective .....	13
Figure 6: Example of a Subscriber Centric (Topological) Representation of ECs .....	14
Figure 7: Example of a Service Provider/Network Operator Centric (Topological) Representation of ECs .....	14
Figure 8: Topological representation of ECSs aggregation into an EC .....	15
Figure 9: Example of Subscriber EC (S-EC), Operator EC (O-EC) and Service Provider EC (SP-EC) in a multi-CEN environment.....	16
Figure 10: Relationship between EVC, OVCs, Subscriber EC, Operator EC(s) and Service Provider EC.....	17
Figure 11: Example of Topological Representations of Point-to-point SP-ECs and associated O-ECs .....	21
Figure 12: Example of Topological Representations of a Multipoint SP-EC and Associated O-ECs .....	22
Figure 13: Topological representation of a portion of a RMP EC in a single CEN.....	25
Figure 14: Root/Trunk O-EC .....	26
Figure 15: Point-to-Point and Multipoint Hairpin SP-ECs .....	27
Figure 16: Diagrammatic representation of ETH Layer processing entities .....	29
Figure 17: Functional representation of an ETH UNI-N and ETH UNI-C .....	37
Figure 18: Functional representation of an ETH ENNI-N .....	38
Figure 19: Reference model of the ETH Layer VUNI and RUNI .....	39
Figure 20: Topological representation of UTA SP-ECs via VUNI-Ns and RUNI-Ns.....	40
Figure 21: Functional representation of an ENNI-N with an adjunct VUNI-N.....	41
Figure 22: Reference model for a Transport NID (T-NID) and Service NID (S-NID).....	43
Figure 23: Topological representation of ETH Layer services via a Transport NID .....	44
Figure 24: Topological representation of ETH Layer services via an S-NID with a partial UNI-N.....	45
Figure 25: Reference Models for Hybrid NIDs for E-Access Services with vNID Functionality .....	46
Figure 26: Topological representation of EPL service via an H-NID with Basic vNID functionality when the RPE is assumed present in the H-NID .....	47
Figure 27: Topological representation of ETH Layer services via an H-NID with Advanced vNID functionality when the RPE is present in the H-NID .....	48

## List of Tables

Table 1: Acronyms and Definitions.....	3
Table 2: Summary of ETH Layer Topological Components, Transport Entities and Reference Points .....	8
Table 3: Relationship between Services and Architecture constructs.....	19
Table 4: Allowed Connectivity between TFP types .....	23
Table I.1: Mapping between IEEE and ITU OAM Terms .....	51

## 1. List of Contributing Members

The following members of the MEF participated in the development of this document and have requested to be included in this list.

Alcatel-Lucent	Ciena Corporation
Adtran	Comcast
at&t	Verizon

## 2. Abstract

This document provides the architecture framework to model the Ethernet Services Layer of MEF compliant Carrier Ethernet Networks. The Ethernet Service Layer architecture framework describes the high-level topological and functional constructs used to model the various architectural components of the Ethernet Service Subscriber and Provider networks, their associated functional elements, and their interconnect relationships. The architecture framework also describes the relationship between Ethernet Services Layer interfaces, functional elements and their reference points, and other architectural elements in the Transport Layer (TRAN) and Application (APP) Layers of the MEF Generic Architecture Framework (MEF 4 [13]). This document supersedes and replaces MEF 12.1 [18] and MEF 12.1.1 [19].

## 3. Terminology and Acronyms

This section summarizes terms and acronyms used in this document. In many cases, the normative definitions to terms are found in other documents. In these cases, the third column is used to provide the reference that is controlling. In cases of conflict with other documents, the controlling document is shown in the reference column.

Terms	Definitions	Reference
AF	Adaptation Function	MEF 4
APP	Application Layer	MEF 4
B-FP	Branch Flow Point	This Document
BR-FP	Branch-Root Flow Point	This Document
BWP	Bandwidth Profile	MEF 10.3
C-VLAN	Customer VLAN	IEEE 802.1Q
Carrier Ethernet Network	A network from a Service Provider or network Operator supporting the MEF service and architecture models.	This Document
CE	Customer Edge	MEF 10.3
CEN	Carrier Ethernet Network	This Document
CI	Characteristic Information	MEF 4
CoS	Class of Service	MEF 10.3
CoS ID	Class of Service Identifier	MEF 10.3
DEI	Discard Eligibility Indicator	IEEE 802.1Q
E-Access	Ethernet Access (service)	MEF 33
E-NNI / ENNI	External Network-to-Network Interface <sup>1</sup>	MEF 4 / MEF 26.1
EAF	ETH Adaptation Function	MEF 4
EC	ETH Connection	This Document
ECF	ETH Connection Function	This Document
ECS	EC Segment	This Document
ECT	Ethernet Connectionless Trail/Ethernet Connection-oriented Trail	MEF 4
EETF	ETH EVC Termination Function	This Document
EFCF	ETH Flow Conditioning Function	This Document
EFD	ETH Flow Domain	This Document
EFTF	ETH Flow Termination Function	This Document

<sup>1</sup> Note that MEF4 uses “E-NNI” as the acronym for the same interface.

EI	External Interface	MEF 4
ENNI	External Network-to-Network Interface1	MEF 26.1
ENNI-N	ENNI – Network (Functional Element)	MEF 26.1
EPCF	ETH Provider Conditioning Function	This Document
ESCF	ETH Subscriber Conditioning Function	This Document
ETH	Ethernet Services Layer	MEF 4
ETH Connection	The ETH Layer transport entity that conveys the ETH_CI between a set of two or more ETH Layer termination flow points in a given ETH Layer.	This Document
ETH Connection Function	Processing entity in the ETH Layer that affects the forwarding of the EC PDUs among ETH Links.	This Document
ETH Connection Segment	A contiguous segment of an EC.	This Document
ETH EC Termination Function	Processing entity in the ETH Layer responsible for the instantiation of an Operator EC.	This Document
ETH Flow Conditioning Function	Processing entity of the ETH Layer responsible for classification, filtering, metering, marking, policing, shaping and, in general, conditioning the Subscriber flow into and out of a Subscriber EFD.	This Document
ETH Flow Domain	Topological component of the ETH Layer defined by the set of ETH flow points, including termination flow points, made available for the purpose of transferring information within a given administrative portion of the ETH Layer network.	This Document
ETH Flow Termination Function	A class of processing entities in the ETH Layer responsible for the instantiation of untagged or C-VLAN tagged Ethernet flows in a Subscriber EFD.	This Document
ETH Link	A link between flow points in the ETH Layer network,	MEF 4
ETH Provider Conditioning Function	Processing entity of the ETH Layer responsible for classification, filtering, metering, marking, policing, scheduling, shaping and, in general, conditioning flow(s) between two CENs.	This Document
ETH Subscriber Conditioning Function	Processing entity of the ETH Layer responsible for classification, filtering, metering, marking, policing, scheduling, shaping and, in general, conditioning the subscriber flow into and out of a Service Provider EFD at a UNI-N.	This Document
EVC	Ethernet Virtual Connection	MEF 10.3
FCS	Frame Check Sequence	IEEE 802.1Q
FP/FPP	Flow Point/Flow Point Pool	ITU-T G.809
H-FP	Hairpin Flow Point	This Document
H-NID	Hybrid NID	This Document
Hybrid NID	A class of functional elements used to demarcate services between a Service Provider, a Subscriber, and an intermediate Network Operator acting as the Access Provider.	This Document
II	Internal Interface	MEF 4
INNI	Internal Network-Network-Interface	MEF 4
L2CP	Layer Two Control Protocols	MEF 10.3
LAN	Local Area Network	IEEE 802
LLC	Logical Link Control	ISO/IEC 8802-2
MAC	Media Access Control	IEEE 802
Management EC	The O-EC associated with the management connection used to interconnect the Management Entity of a NID to the Management Entity of the Network Operator	This Document
MCF	MAC Convergence Function	IEEE 802.1Q
MEG	Maintenance Entity Group	ITU-T Y.1731
MEL	Maintenance Entity Level	ITU-T Y.1731
MGT EC	Management EC	This Document

NE	Network Element	MEF 4
Network Interface Device	A compound functional element consisting of UNI and NNI functions.	This Document
NID	Network Interface Device	This Document
NNI	Network-Network Interface	MEF 4
NUNI	NID UNI	This Document
O-EC	Operator EC	This Document
Operator EC	An ETH Layer flow instantiated by a Network Operator.	This Document
PDU	Protocol Data Unit	This Document
PE	Provider Edge	This Document
Protocol Data Unit	Information that is delivered as a unit among peer entities of a network and that may contain control information, such as address information, or user data.	This Document
Provider Edge	A network element implementing external interface functions.	This Document
Remote UNI-N	Functional element representing the processing functions required to instantiate the interface between a Service Provider VUNI-N and an intermediate Access Provider UNI-N.	This Document
RMI	Remote Management Interface	MEF 43
RMP	Rooted Multipoint	MEF 10.3
RPE	Remote Processing Entity	MEF 43
RUNI-N	Remote UNI-N (Functional Element)	This Document
S-EC	Subscriber EC	This Document
S-VLAN	Service VLAN (also referred to as Provider VLAN)	IEEE 802.1Q
S-NID	Service NID	This Document
SP-EC	Service Provider EC	This Document
Service Provider EC	An ETH Layer flow instantiated by a Service Provider.	This Document
Subscriber EC	An ETH Layer flow instantiated by a Subscriber.	This Document
SLS	Service Level Specification	MEF 10.3
SP-EC	Service Provider EC	This Document
T-FP	Trunk Flow Point	This Document
T-NID	Transport NID	This Document
TAF	Transport Adaptation Function	MEF 4
TF	Termination Function	MEF 4
TFP	Termination Flow Point	MEF 4
TL-FP	Trunk Leaf Flow Point	This Document
TRAN	Transport Layer	MEF 4
UNI	User-Network Interface	MEF 4
UNI-C	UNI - Client (Functional Element)	MEF 4
UNI-N	UNI - Network (Functional Element)	MEF 4
UP/PCP	User Priority/Priority Code Point	IEEE 802.1Q
UTA	UNI Tunnel Access	MEF 28
Virtual NID	A type of Hybrid-NID and associated functionality.	MEF 43
VLAN	Virtual LAN	IEEE 802.1Q
VLAN ID	VLAN Identifier	IEEE 802.1Q
vNID	Virtual NID	MEF 43
VPLS	Virtual Private LAN Service	RFC 4761
VUNI	Virtual UNI	MEF 28
VUNI-N	VUNI – Network (Functional Element)	This Document
VUNI - Network	Functional element representing the set of processing entities required to implement the VUNI	This Document
WAN	Wide Area Network	MEF 4
WEN	Wide Area Ethernet Network	MEF 4

Table 1: Acronyms and Definitions



## 4. Scope

The Ethernet Services Layer, also referred to as the ETH Layer, is the networking layer in the MEF multi-layer architecture framework responsible for the realization of service-aware transport capabilities in support of MEF specified services (see MEF 4 [13]).

The ETH Layer architecture framework provides the descriptive model to represent Ethernet service model constructs in terms of topological and functional constructs. These topological and functional constructs are intended to provide a technology neutral representation and decomposition of the logical and physical connectivity between Subscribers, the Service Provider(s), and any intermediate Network Operators. The connectivity model is described in terms of the ETH Layer functional elements, their relationships to ETH Layer processing and transport entities used to implement the MEF interface functions, and the interconnect rules among them. The networks from Service Providers and Network Operators supporting the MEF service and architecture models are referred to as Carrier Ethernet Networks (CENs).

The architecture framework also describes the interactions of the ETH Layer with the TRAN and APP Layers across MEF specified External Interfaces (EIs), such as the User-Network Interface (UNI) and the External Network-Network Interface (ENNI), and Internal Interfaces (IIs), such as the Internal Network-to-Network Interfaces (I-NNIs), and their associated reference points. The ETH Layer architecture framework is not intended to require or preclude any particular networking technology from being used on any given implementation of a CEN but it does presume a minimal set of Ethernet networking functions. The framework provides a generic interconnect model and information transfer guidelines to facilitate the specification of interoperable ETH Layer components at relevant EIs and IIs conforming to this architecture model. Detailed Technical Specifications and Implementation Agreements for specific EIs/IIs and their associated services are outside the scope of this document.

The initial MEF ETH Layer specification - MEF 12 [17] - focused on architecture constructs in support of Ethernet Virtual Connection (EVC) based services by a single Service Provider. Constructs covered by MEF 12 included point-to-point (E-Line) and multipoint (E-LAN) services as specified in the Ethernet Service Model (MEF 6, now MEF 6.1 [14]), the EVC Service Attributes (MEF 10/MEF 10.1, now MEF 10.3 [16]), and the UNI service interfaces (MEF 13 [20] and MEF 20 [22]). MEF 12.1 [18] introduced topological and functional constructs in support of rooted multi-point EVC (E-Tree) services as specified in MEF 6.1 [14] / MEF 6.1.1 [15] and MEF 10.2 / MEF 10.2.1 (now MEF 10.3 [16]). It also introduced architecture constructs in support of Operator Virtual Connection (OVC) based services and inter-CEN Operator services as specified in MEF 26.1 [24] as well as architecture constructs in support of the MEF Service OAM framework (MEF 17 [21] and MEF 30, now MEF 30.1 [26]).

This update to the ETH Layer architecture merges MEF 12.1 and MEF 12.1.1 and expands the scope to cover topological and functional models in support of the UNI Tunnel Access (UTA) service (MEF 28 [25]), Ethernet Access Services (MEF 33 [27]) and virtual NID (vNID) based Ethernet Access (E-Access) services (MEF 43 [28]). Appendix I is also updated with the functional model for the Service OAM entities associated with E-Access Services with vNID functionality.

Key definitions and constructs covered in this document include:

1. Carrier Ethernet Network (CEN) as a generalization of the Metro Ethernet Network (MEN) and Wide-Area Ethernet Network (WEN) concepts.
2. ETH Connection (EC) and EC Segment (ECS), and associated Termination Flow Points (TFPs) and Flow Points (FPs), as architecture constructs to represent the connectivity between functional elements in the ETH Layer.
3. Topological and functional models in support of the User Network Interface (MEF 13 [20] and MEF 20 [22]), and External Network-Network-Interface (ENNI) (MEF 26.1 [24]). Multi-CEN capabilities covered include:
  - support E-Line and E-LAN and E-Tree services,
  - support “hairpin” switching (i.e., forwarding of Ethernet frames across separate connections on the same physical link) for E-Line and E-LAN and services,
  - support “EVC tunneling” (i.e., service unaware forwarding of frames) across another CEN.
4. Topological and functional models in support of UTA based services. The UTA, as specified in MEF 28 [32], is comprised of a UTA OVC component in the intermediary Network Operator, an associated VUNI component in

the VUNI Provider, and a remote UNI in the intermediate Network Operator. Capabilities specified for the UTA components include:

- support a point-to-point frame forwarding service between a remote UNI and a VUNI Provider. This Network Operator oriented Ethernet Service is referred to as a UTA OVC service,
  - support the service interface functions at the ENNI-N of the VUNI Provider necessary for the delivery of E-Line, E-LAN or E-Tree Subscriber oriented Ethernet Services over the UTA components.
5. Topological and functional models in support of a Network Interface Device (NID) or virtual NID functionality, and associated services. Capabilities envisioned for NIDs include, among others:
- support TRAN Layer demarcation between a CEN and a Subscriber site under a single Network Operator control (Transport NID),
  - support TRAN and ETH Layer demarcation between a CEN and a Subscriber site under a single Network Operator control (Service NID),
  - support TRAN and ETH Layer demarcation between a Service Provider, one or more intermediate Network Operators and a Subscriber under shared control of the Service Provider and intermediate Network Operator (Hybrid NID) and delivering E-Access Services with vNID functionality as per MEF 43 [28].

This document also:

- clarifies the relationship between services related constructs such as the EVC construct defined in MEF 10.3, the Operator Virtual Connection (OVC) construct defined in MEF 26.1, and the EC/ECS constructs defined in this document,
- expands on any other impacts of this document to existing MEF specifications.

This document uses the naming convention “XXX-Network”, or “XXX-N”, to name a functional element on the CEN side of interface XXX. It uses the naming convention “XXX-Client”, or “XXX-C”, to name a functional element on the Subscriber or Client side of interface XXX.

Note also that the terms NID and Hybrid-NID are used in this document to refer to a wide class of functional elements supporting UNI demarcation functions, not necessarily to refer to a physical realization as a network element. Implementation Agreements for NIDs and Technical Specifications for NID based services are outside the scope of this document.

## 5. Compliance Levels

The key words "MUST", "MUST NOT", "REQUIRED", "SHALL", "SHALL NOT", "SHOULD", "SHOULD NOT", "RECOMMENDED", "MAY", and "OPTIONAL" in this document are to be interpreted as described in RFC 2119 [1]. All key words must be in upper case, bold text.

Items that are **REQUIRED** (contain the words **MUST** or **MUST NOT**) will be labeled as [Rx] for required. Items that are **RECOMMENDED** (contain the words **SHOULD** or **SHOULD NOT**) will be labeled as [Dx] for desirable. Items that are **OPTIONAL** (contain the words **MAY** or **OPTIONAL**) will be labeled as [Ox] for optional.

## 6. The ETH Layer Model

The Ethernet Services Layer, or ETH Layer, refers to the Ethernet networking layer defined by the MEF to specify Ethernet oriented connectivity services. The ETH Layer is responsible for the service view presented by the Service Provider to its Subscribers and CENs participating in the Ethernet service. The ETH Layer is also responsible for all service-aware processing aspects associated with the treatment of the Service Frames, including operations, administration, maintenance and provisioning capabilities required in support of the Ethernet connectivity services. This document refers generically as a CEN to any Metro Ethernet Network (MEN) or Wide-Area Ethernet Network (WEN) as defined in MEF 4.

The service interface presented by the ETH Layer at the EI reference points is expected to conform to the frame format for unicast, multicast or broadcast Ethernet frame as specified in IEEE 802.3[2]. Figure 1 illustrates the relationship between the base service interfaces at the ETH Layer, also referred to in this document as the Base ETH Layer interfaces, and defined in the MEF Generic Architecture Framework (MEF 4): the User Network Interface

(UNI) and the External Network-to-Network Interface (ENNI). The ETH Layer processing functions associated with the instantiation of a UNI within a Subscriber network is referred to as an ETH UNI-C. The ETH Layer processing functions associated with the instantiation of a UNI within a CEN Operator is referred to as an ETH UNI-N. The ETH Layer processing functions associated with the instantiation of an ENNI within a CEN Operator is referred to as an ETH ENNI-N.

When multiple CENs participate in an Ethernet Service, the Network Operators supporting UNIs are also referred to as the Access Providers. In this document the term Provider Edge (PE) is used in to refer to a NE implementing external interface functions. When those functions relate to a UNI that device can also be referred to as a NID.

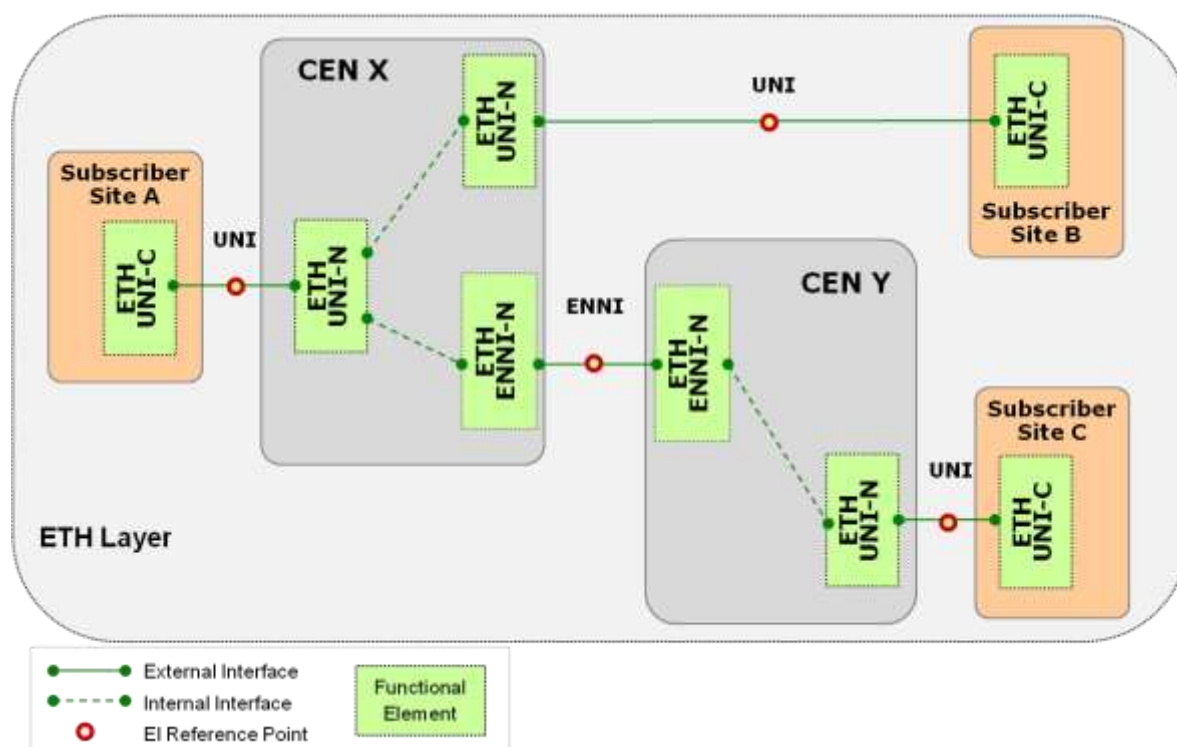


Figure 1: Base ETH Layer Interfaces and Reference Points

The rest of this section relates the architectural model of the ETH Layer to its service model specification in terms of topological and transport entities at relevant reference points, such as those illustrated in Figure 1. The functional view of the ETH Layer described in this document is derived from the functional modeling approach described in MEF 4 (which is derived from ITU-T Recommendations G.805 [5] and G.809 [6]). The traffic units exchanged among these reference points are discussed in Section 6.1. From a functional modeling viewpoint, the ETH Layer consists of topological, transport and processing entities. The relevant ETH Layer topological entities and associated transport entities are introduced in Section 6.2. Their relationship with the various Ethernet bridging models and MEF defined connection types are discussed in Section 6.3 and Section 6.4, respectively.

A detailed reference model for MEF ETH Layer in terms of these architecture constructs is provided in Sections 7, 8, 9 and 10. The detailed reference models are based on a functional modeling description of the various CEN components. In particular, the relationship between the Ethernet Service components, such as EVCs and OVCs, and the transport entities are described in Section 7. The ETH Layer processing entities used to instantiate these transport entities are described in Section 8. Functional representations for service interfaces defined by the MEF are introduced in Section 9 and Section 10. The detailed descriptions of functional elements are intended to be consistent with ITU-T Recommendations G.8010/Y.1306 [7] and G.8021 [8].

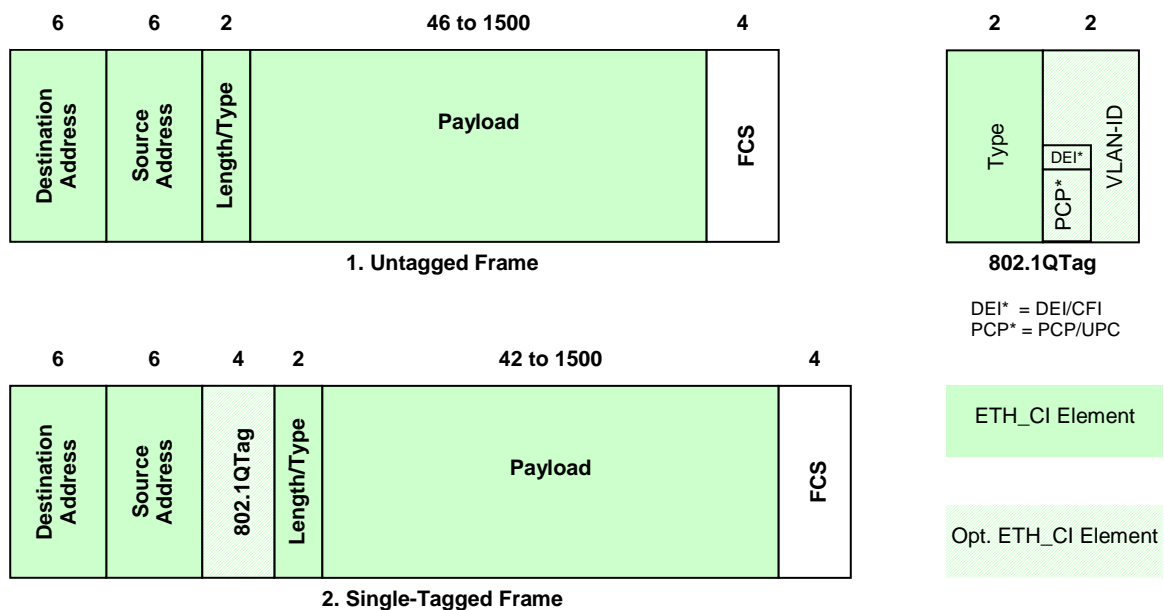
### 6.1 ETH Layer Characteristic Information

Functional models in ITU-T Recommendations G.805/G.809 refer to the intrinsic information elements exchanged over a layer network as the Characteristic Information (CI) of the layer network.

For the ETH Layer, the characteristic information exchanged over the ETH Layer links, the ETH\_CI, consists of the following information elements from the IEEE 802.3 Ethernet MAC frame:

- Destination MAC Address (DA)
- Source MAC Address (SA)
- Optional Connection Indication via the IEEE 802.1Q VLAN Tag
- Optional CoS Indication via the IEEE 802.1Q VLAN Tag
- Optional Discard Eligibility Indication via the IEEE 802.1Q S-VLAN Tag
- Ethernet Length/Type (EtherType)
- User Data

The optional 802.1Q VLAN Tag is a four octet field composed of a two-octet 802.1Q VLAN Tag Type and the Tag Control Information, which contains 3-bits of User Priority/Priority Code Point (UP/PCP) information, the single-bit Canonical Format Indicator/Discard Eligibility Indicator (DEI) and the 12-bit VLAN Identifier (VLAN ID). Note that the VLAN ID, DEI and UP/PCP are also optional information elements in any IEEE 802.3-2005 Ethernet MAC frame. Figure 2 illustrates the ETH\_CI as conveyed in IEEE 802.3 compliant Ethernet MAC frames.



**Figure 2: ETH Layer Characteristic Information (ETH\_CI)**

The term ETH PDUs is used in this document to refer generically to the frames used to exchange the ETH\_CI across standardized ETH Layer interfaces and associated reference points. In particular, the Service Frame refers to the ETH PDU exchanged across the UNI. Operations on Service Frames to support the ETH Layer service model are specified in MEF 10.3. Note, as illustrated in Figure 2, that the information elements conveyed by ETH PDU is a super set of the information elements of the ETH\_CI.

#### 6.1.1 Connection Indications and VLAN IDs

For the purposes of the MEF 4/ITU-T G.809 functional model, identifiers associated with layer network flows/connections are network specific, and thus, not part of the CI. VLAN IDs specifically are viewed as internal

constructs of the ETH Layer that assist with network partitioning (connections) and sub-layering (aggregation) functions but not as formal elements of the ETH\_CI. Nonetheless, many networking scenarios, including the connection services specified by the MEF, could require VLAN IDs to be preserved. In those scenarios, VLAN IDs are treated as if part of the ETH\_CI by intermediate CENs.

### 6.1.2 CoS Indications, UP/PCP and DEI

CoS is deemed to be as an inherent characteristic of a flow/connection by the MEF 4/ITU-T G.809 functional model; hence, it is part of the ETH\_CI. Yet, CoS indication via UP/PCP and DEI, or any other CoS ID propagation mechanism, is considered optional. Nonetheless, many networking scenarios, including the connection services specified by the MEF, could require CoS-IDs to be preserved. In those scenarios, CoS IDs, are treated as if part of the ETH\_CI by intermediate CENs.

The CoS associated with a given ETH PDU is service specific. As specified by MEF 10.3 and MEF 26.1, the CoS of an ETH PDU at an EI can be conveyed implicitly via information derived from the fields in the ETH Layer (e.g., VLAN IDs), or APP Layer (e.g., DSCP) or TRAN Layer link identifiers. CoS can also be conveyed explicitly as in the UP/UPC field of Service Frames at UNIs and ENNIs. MEF 23 specifies the MEF CoS model [23].

### 6.1.3 EtherType, User Data and ETH\_CI

The Length/Type field, or EtherType field, in conjunction with SA/DA, is part of the mechanism specified by IEEE 802.3 to indicate the type of payload conveyed as User Data. User Data PDUs are typically conveyed in their format, or less common, as a Logical Link Control (LLC) encapsulated PDU. The presence of VLAN tags is indicated via the EtherType field. For functional modeling purposes, each VLAN tag corresponds to an ETH Sublayer within the ETH Layer (see Section 6.3).

## 6.2 ETH Layer Functional Model: Topological Components & Transport Entities

As described in MEF 4, topological components are the abstract entities used by the model to represent networked (connectivity) entities. Transport entities represent the physical or logical entities created by functional elements for the purpose of transferring the ETH\_CI as implied by the topological constructs. Table 2 summarizes the defined ETH Layer topological components, transport entities, and reference points in the ITU-T Recommendation G.8010 and the MEF Architecture Framework (MEF 4).

Topological Components:	Transport Entities:	Associated Reference Points
ETH Layer Network	ETH Network Flow / Connection	ETH Access Point
ETH Flow Domain	ETH Flow Domain Flow / Subnetwork Connection	ETH Flow Point ETH Flow Point Pool
ETH Link <sup>2</sup>	ETH Link Flow / Connection	ETH Flow Point ETH Flow Point Pool
ETH Access Group	ETH Connectionless Trail	ETH Termination Flow Point ETH Termination Flow Point Pool

**Table 2: Summary of ETH Layer Topological Components, Transport Entities and Reference Points**

In this document the terms flow point and flow point pool are used interchangeably to refer to either one flow point or a set of flow points treated as a single unit.

Figure 3 illustrates the relationships among ETH Layer topological components from an Ethernet Service Subscriber viewpoint. There are three LAN sites (LAN Site A, LAN Site B and LAN Site C) each represented as an ETH Flow Domain. The three LAN sites are fully interconnected via ETH Links (ETH Link AB, ETH Link BC and ETH Link AC). In this particular example there are several end-systems (access points) on each LAN (5 on Site A, 3 on Site B and 4 on Site C).

<sup>2</sup> This document uses ETH Link as a short hand for ETH Flow Point/Flow Point Pool Link in MEF4.

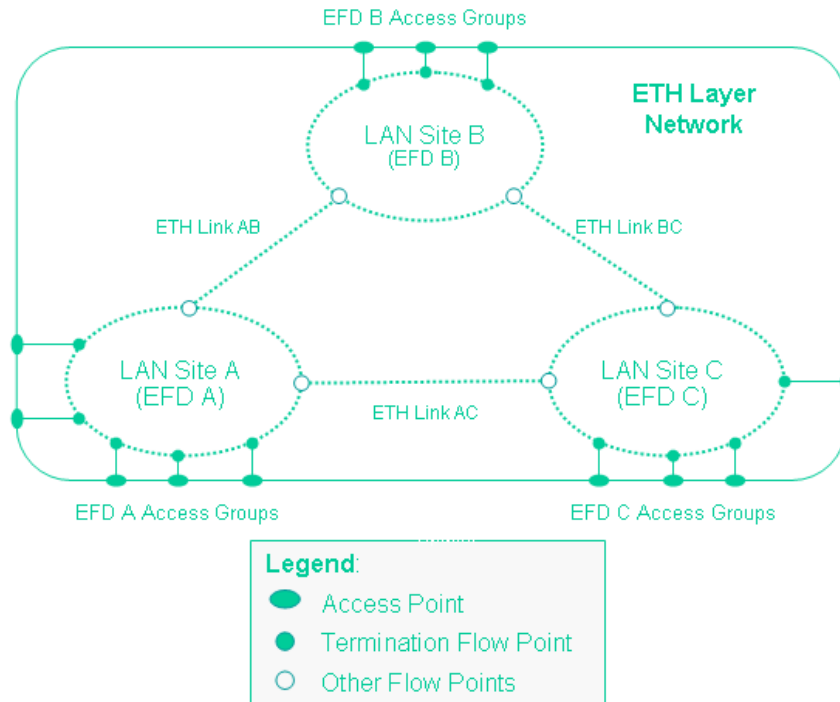


Figure 3: Representation of an ETH Layer Network and its topological components

### 6.2.1 ETH Layer Network

The ETH Layer network is bounded by the complete set of ETH access groups that can be associated for the purpose of transferring information among access points. The scope of the ETH Layer network is the broadcast domain of all access groups that can be addressed by IEEE 802.1D/802.1Q MAC forwarding entities. The unit of information transferred within the ETH Layer is the ETH\_CI. The provisioning of a transport entity in the ETH Layer creates an association between two or more access points and enables the exchange of ETH\_CI. The transport entity can be either a connectionless transport entity referred to as the Ethernet Connectionless Trail or connection oriented transport entity referred to as an Ethernet Connection-oriented Trail (ECT) depending on the expected forwarding behavior for said transport entity. The resulting topology of the ETH Layer network can be described in terms of the set of all ETH access groups, the ETH flow domains and the ETH Links<sup>3</sup> or ETH Server Subnetworks between them. This ETH Layer network view is illustrated in Figure 3. As illustrated there, this document uses a “rounded rectangle” symbol as a topological representation of an Ethernet Layer Network and an “ellipse” symbol as a topological representation of an EFD within an Ethernet Layer Network.

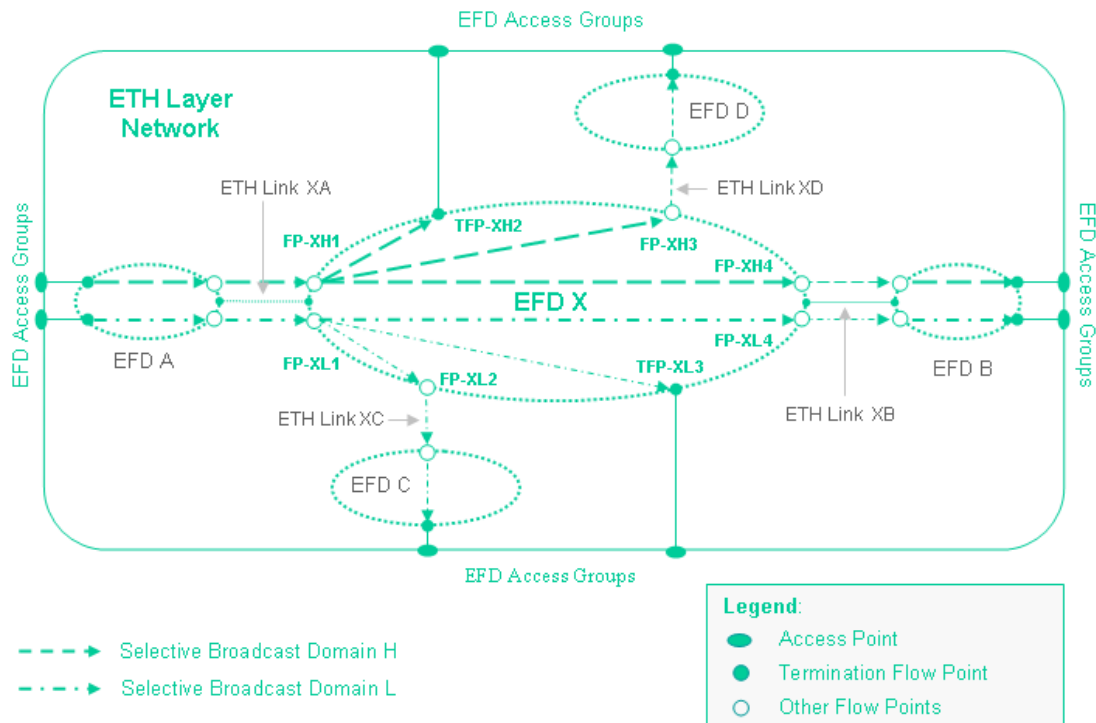
### 6.2.2 ETH Flow Domain

An ETH Flow Domain (EFD) is a topological component of the ETH Layer defined by the set of ETH flow points, including termination flow points, made available for the purpose of transferring information within a given administrative portion of the ETH Layer network. The transport entities associated with flow points on a given EFD are referred to as EFD Flows (see ITU-T G.809) or ETH subnetwork connections (see ITU-T G.805). EFDs can be partitioned into sets of non-overlapping EFDs interconnected by ETH Links. A switching “matrix” represents the smallest instance of an EFD. An example of a switching matrix is the ETH Layer function associated with the representation of the switching components of the IEEE 802.1D/802.1Q MAC Relay function.

The scope of the EFD transport entity is the selective broadcast domain of the set of associated ETH (termination) flow points as illustrated in Figure 4. Before MAC address learning occurs, ETH PDUs received via an input port

<sup>3</sup> Also referred to as a Flow Point Pool Link in ITU-T G.809

(e.g., Link XA) of EFD X and associated with the selective broadcast domain H are forwarded to all output ports on EFD X associated with this domain. In the example, FPs named FP XH\* (e.g., FP XH1, TFP XH2, FP XH3 and FP XH4) denote the FPs in the selective broadcast domain H of EFD X. The one exception in this forwarding rule is with the FPs in the same bi-directional Link as the input port (e.g., FP XH1). The connectivity among ETH (termination) flow points in an EFD can be restricted by means of ETH network management or control plane actions. ETH transport entity is commonly referred to as a VLAN.



**Figure 4: Topological representation of selective broadcast within an ETH Flow Domain**

There can be multiple EFDs within the ETH Layer of a particular CEN. At the coarsest level of granularity an EFD represents a particular administrative domain within the ETH Layer. Examples include:

- EFDs associated with the Subscriber networks
- EFDs associated with multiple CENs when an EVC traverses one or more ENNIs.
- EFDs associated with different administrative/operational/maintenance boundaries within the same CEN.

### 6.2.3 ETH Link

An ETH Link, also referred to as ETH flow point pool link (ETH FPP link) in ITU-T G.809, represents a fixed topological relationship and available capacity between a set of ETH reference points. Thus, an ETH Link can interconnect:

- two sets of ETH flow points (i.e., FPPs) at the edge of two EFDs, or
- a set of ETH termination flow points (ETH access groups) and a set of ETH flow points (i.e., FPPs) at the edge of an EFD, or
- two ETH access groups

The transport entity associated with two flow points on a given ETH Link is also referred to as an ETH Link connection. In some situations it is useful to call out ETH Links used between EIs and ETH Links used between IIs. In

MEF 4 the ETH Links at an EI are also referred to as access links<sup>4</sup> while ETH Links at the IIs are referred to as trunk links.

ETH Links between EFDs are typically long lived and established at the timescale of the server Layer Network connections rather than the timescale of the individual flows transported at the ETH Layer. Hence, an ETH Link represents a non-switchable entity within the particular Layer Network such as a fiber or any other “connection” created by mechanisms outside the given Layer Network (such as MPLS, ATM or FR connections). As illustrated in Figure 3 and Figure 4, this document uses the symbol of a line between (T)FPs or between a (T)FP and Access Groups to represent an ETH link.

It is also possible to create a point-to-point transport entity from a serial concatenation of two or more ETH Links. Such concatenation of ETH Links is also referred to as a Serial Compound ETH Link.

#### 6.2.4 ETH Access Group

An ETH Access Group is a group of co-located ETH flow termination functions that are connected to the same EFD or EFD link. The ETH Access Group demarcates the point of access into the ETH Layer network.

Hence, an ETH access group represents the “service access point” for applications into the ETH Layer Network. As illustrated in Figure 3 and Figure 4, this document uses the symbol of a solid ellipse to represent an Access Group.

### 6.3 ETH Sublayers, Aggregation and the IEEE Bridging Model

Packet switching technology employs packet encapsulation techniques to create “partitions” of network resources for the purposes of flow identification, traffic multiplexing, aggregation and overall network engineering. For packet switching technologies that allow multiple levels of encapsulation each new encapsulation tag is said to represent a sublayer of the given layer network within the context of the MEF 4/ITU-T G.809 Layer Network model. Although each sublayer has independent OAM there are interdependences between sublayers as they share the Access Groups’ address space and potentially control and management functions.

An encapsulation sublayer can be viewed as a distinct domain of the layer network, from the viewpoint of the ISO reference model. In addition, each individual flow/connection identifier value conveyed in the encapsulation header (or tag) represents a transport entity of the given sublayer and provides the means to identify individual logical/virtual transport entities of the sublayer for the purposes of traffic forwarding and network resource allocation. These transport entities<sup>5</sup> of the Layer Network also provide restricted forwarding domains for the Layer Network PDUs. These domains and transport entities of a Layer Network constitute the primary mechanisms for logical connectivity management and traffic engineering within a given Layer Network.

Note that each encapsulation sublayer is intended to represent a new domain of the same Layer Network technology, not a new Layer Network in its own right. From the viewpoint of the architecture framework in MEF 4 an encapsulation sublayer is modeled in the same manner as its corresponding Layer Network technology except that its access points represent sublayer encapsulation flow points (also represented as Termination Flow Points), not access groups. This document uses the term “aggregation” to refer to the process associated with the instantiation of a new sublayer and the term “multiplexing” to refer to the process associated with the instantiation of a new layer network.

Sublayering mechanisms are technology specific and not all packet switching technologies support sublayering. At an EI the transport entities of a layer network can be aggregated into a sublayer transport entity or multiplexed into a server layer transport entity. In Provider Bridged Ethernet, the C-VLAN is specified as the transport entity distinguishing customer traffic. It is also the basis for the transport entities at the UNI. Similarly, the S-VLAN is specified as the transport entity distinguishing aggregated C-VLANs. It is also the basis for the transport entities at the ENNI. Other type of transport entities can be specified in future EI specifications. Specification of encapsulation sublayering technology for any specific EI is outside the scope of this specification.

---

<sup>4</sup> Not to be confused with links of an Access Network.

<sup>5</sup> Referred to as a “flow domain fragment” in ITU-T G.8010.



### 6.3.1 Topological Representation of IEEE 802.1D Bridged Network

An IEEE 802.1D bridged network is represented as a sublayer of IEEE 802.1 bridged network model consisting of an “arbitrary” collection of EFDs and links as illustrated in Figure 3 and Figure 4. Each EFD in the topological model represents a collection of one or more IEEE 802.1D Bridges interconnected via ETH Links (i.e., links to other IEEE 802.1D based LANs) and ETH Access Groups (end-systems) in the ETH Layer Network. This is the simplest topological representation of an Ethernet Network, and hence, a Subscriber Network at the ETH Layer.

For topological modeling purposes an IEEE 802.1D bridged network is considered a single multipoint transport entity supporting a number of flows identified by their Source and Destination MAC addresses. There is a single transport entity allowed on any topological component of IEEE 802.1D networks. It is still possible to create a point-to-point transport link as a concatenation of one or more point-to-point ETH Links, e.g., a serial compound ETH Link (see 6.2.3).

### 6.3.2 Topological Representation of IEEE 802.1Q Bridged Networks

An IEEE 802.1Q bridged network is also represented as an “arbitrary” collection of EFDs and ETH Links within each sublayer in the IEEE 802.1Q bridge network model. Two sublayers can be identified, one associated with the C-component (or C-VLANs) of IEEE 802.1Q, and one associated with the S-Component (or S-VLANs) of IEEE 802.1Q. For instance, in the C-component sublayer, each EFD in the topological model can represent a collection of IEEE 802.1Q Bridges interconnected via ETH Links (i.e., links to other IEEE 802.1Q LANs) and ETH T-FPs (end-systems) in the C-VLAN based ETH Layer Network.

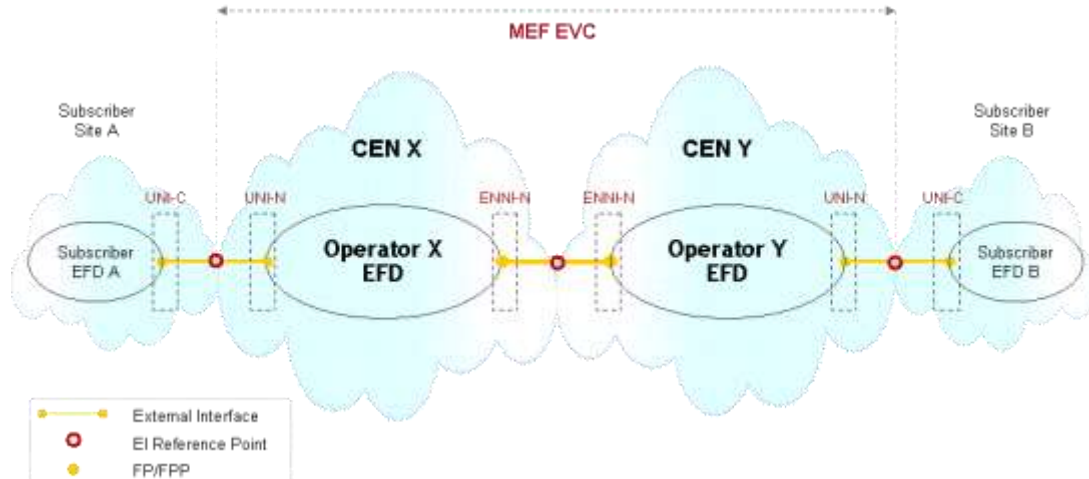
Similarly, an IEEE 802.1Q Provider Bridge network [4] is represented as an “arbitrary” collection of EFDs and ETH Links in the IEEE802.1Q Provider Bridge network (i.e., S-Component) sublayer of the IEEE 802.1Q Layer Network. Each EFD can represent a collection of IEEE 802.1Q Provider Bridges interconnected via ETH Links (i.e., links to other IEEE 802.1Q Provider Bridge LANs) and ETH Access Groups/T-FPs (end-systems) in the S-VLAN based ETH Sublayer. Note that any two VLAN IDs can be associated with separate physical entities, or with the same physical entity.

The C-Component of IEEE 802.1Q (a.k.a. VLAN Bridging) and the S-Component of IEEE 802.1Q Provider Bridge are the base sublayering technologies used by the UNI and ENNI. A number of other technologies are available to create ETH Sublayers, including IEEE 802.1Q Provider Backbone Bridge and IETF VPLS [31][32]. Although the topological representations of these ETH Sublayers are equivalent to those in Figure 3 and Figure 4 their processing entities are specific to each ETH Sublayer technology. Specification of the applicable frame format on MEF specified IIs and EIs are outside the scope of this document.

### 6.3.3 ETH Layer and the MEF Service Model

From the ETH Layer model perspective the MEF Service Model, such as in MEF 10.3 for UNI services and MEF 26.1 for ENNI services, defines the ETH (Sub)Layer used to describe the behavior of the exchanged ETH PDUs at a specified EI/II. The Service Model behaviors are described as a set of Service Attributes from the viewpoint of an external observer able to monitor the exchange of ETH PDUs among the involved parties (subscriber or CENs). The abstract vantage point for the specification of Ethernet Services at a given EI/II is referred to as the EI Reference Point.

The flow points/flow point pools of the ETH Layer model are related to reference points on *functional components* associated with the topological representation of a network. The functional representation of the ETH Layer consists of a set of processing functions in the abstract network equipment that implement the desired topological configuration. This contrasting view of the Carrier Ethernet Network is depicted in Figure 5.



**Figure 5: MEF Service view from the ETH Layer perspective**

Transport entities are created and interconnected by the functional entities of the ETH Layer for the purposes of handing-off the ETH\_CI specified in the Ethernet Service definition and creating an end-to-end connection among the networks participating in the ETH Layer service. The next section discusses the representation of the generic transport entities from Section 6.2 as applied to the ETH Layer.

## 6.4 ETH Connection and ETH Connection Segments

The ETH (Sub)Layer transport entity that conveys ETH\_CI between a set of two or more ETH Layer termination flow points in a given ETH (Sub)Layer is generically referred to in this document as an ETH Connection (EC). An EC can be further decomposed as an interconnected (concatenated) set of segments delimited by two or more flow points. These segments are generically referred to in this document as ETH Connection Segments (ECS). ECs can be either unidirectional or bidirectional,

An EC can correspond to either:

- an end-to-end network connection in the ETH Layer (also referred to as a network flow), or
- an edge-to-edge subnetwork connection across an EFD (also referred to as FP/FPP connection) or
- an edge-to-edge link connection between two EFDs (also referred to as a FP/FPP link connection)

An ECS can correspond to either:

- an edge-to-edge link connection , or
- an edge-to-edge subnetwork connection.

As in the case of ETH Links in Section 6.2.3, it is also possible to create an EC from a serial concatenation of two or more ECs. Such concatenation of ECs is more formally referred to in this document as a compound EC. The Link EC between any two CENs is also an O-EC instance.

Figure 6 illustrates a generic representation of a C-VLAN based ETH Sublayer from a Subscriber centric perspective (i.e., when representing the CEN as a “transparent cloud”). It shows two C-VLAN tagged flows among two Subscriber LANs (Site A and Site B). Here, EC A1B1 and EC A2B2 represent the two Subscriber flows, indicated by two non-overlapping C-VLAN IDs, crossing two ETH flow domains, EFD A and EFD B, representing IEEE 802.1Q capable Subscriber LANs. EC A1B1 consists of three serially compound ECSs: 1) ECS A1A3 between the TFP-A1 and FP-A3 on EFD A, 2) ECS B3B1 between the FP-B3 and TFP-B1 on EFD B, and 3) ECS A3B3 between FP-A3 and FP-B3 on the ETH Link between EFD A and EFD B. Note that the TFs depicted the figure are not part of the topological view of the network, they are presented there to highlight the point where the ECs were created.

A similar representation would be used to represent an S-VLAN based ETH Sublayer when the Subscribers are two CENs that contract an Ethernet Service via an intermediate Ethernet Service Provider. In this case the ECs would correspond to the S-VLAN tagged flows among the two CENs. The EFDs would represent the CEN Operators when assuming their networks are implemented via IEEE 802.1Q Provider Bridge.

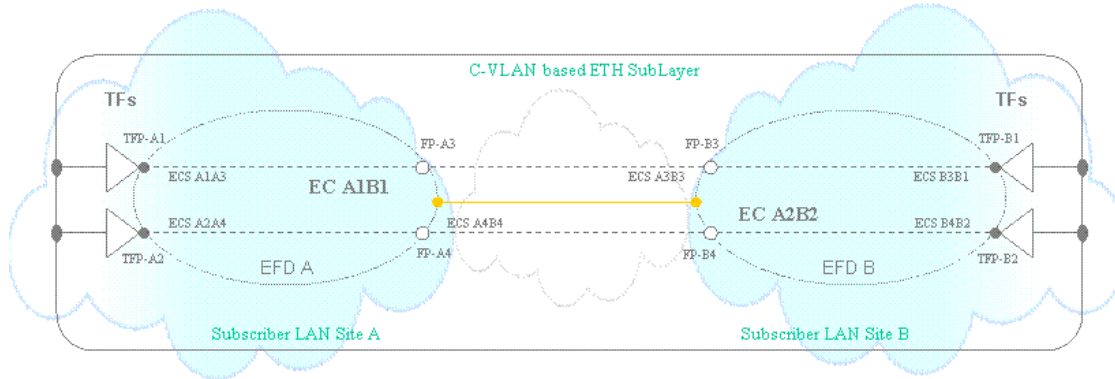


Figure 6: Example of a Subscriber Centric (Topological) Representation of ECs

Figure 7 illustrates a generic representation of a C-VLAN based ETH Sublayer from a Service Provider/Network Operator centric perspective (i.e., when representing the CEN as an “opaque cloud”). It shows the same two C-VLAN tagged flows among two Subscriber LANs (Site A and Site B). Here, the Service Provider depicts the Subscriber ECS A3B3 as actually consisting of three serial segments, ECS A3A5, ECS A5B5 and ECS B5B3 related to the connection between Site A and the SP, the connection segment across the SP and the connection between the SP and Site B, respectively.

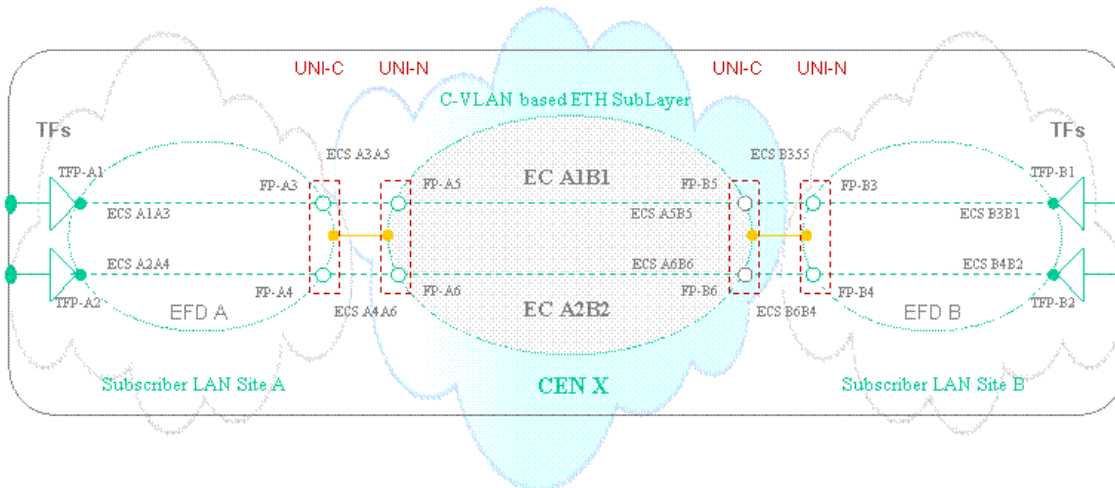


Figure 7: Example of a Service Provider/Network Operator Centric (Topological) Representation of ECs

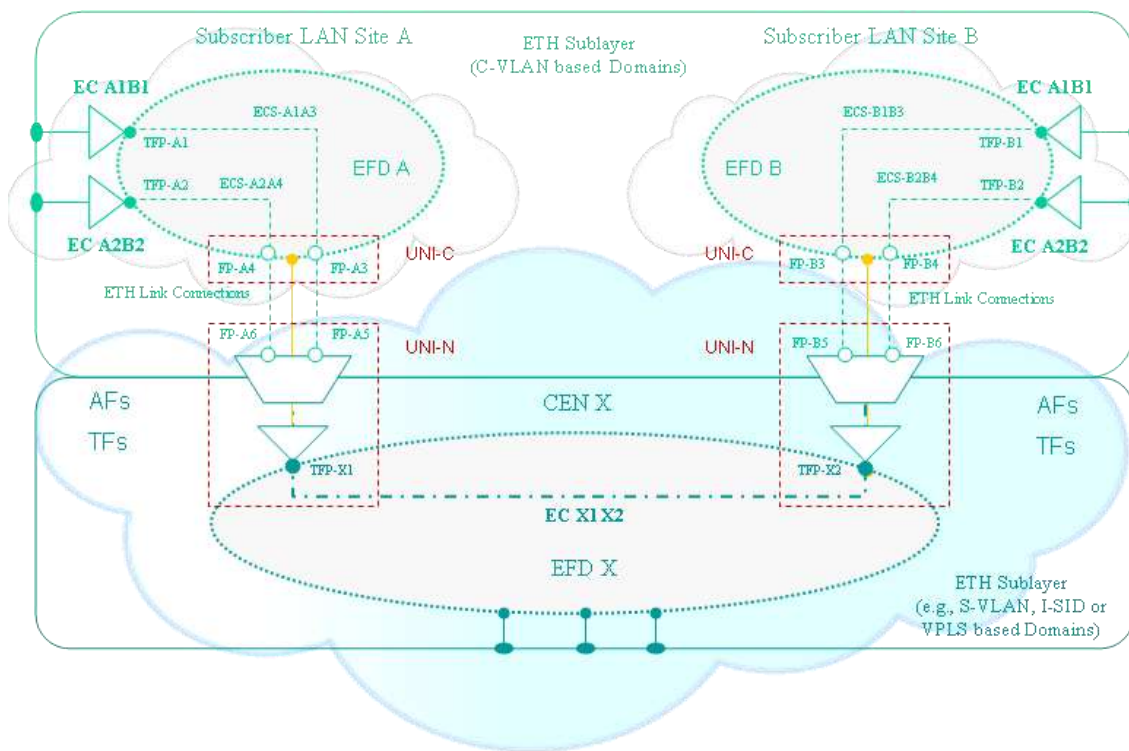
### 6.4.1 EC Aggregation and Sublayering in the ETH Layer

An EC in a given ETH Sublayer can be used to convey two or more aggregated ECSs from ECs in another ETH Sublayer. The aggregated ECSs are said to be in the *client* ETH Sublayer while the new EC conveying the aggregated flow is said to be in the *server* ETH Sublayer. ECS aggregation is achieved via an ETH Adaptation Function (AF). Figure 8 illustrates a generic representation of ECS multiplexing into an EC when incorporating both the Subscriber and the Service Provider/Network Operator view of the involved ECs. Here, the representation of EC A1B1 and EC A2B2 are expanded to include the Service Provider/Network Operator specific segments of the EC. ECS

A1A3 and ECS A2A4 on EFD A (correspondingly ECS B1B3 and ECS B2B4 on EFD B) are aggregated into EC X1X2 on the Service Provider EFD X. Note that the TFs and AFs depicted the figure are not part of the topological components of the network. They are shown here to highlight the points where the ECs are created and aggregated.

Note that in practice AFs are specific to the server layer technology used to carry the subscriber flows and the encapsulation format of any intermediate ETH Sublayer. As an example, the AF used to aggregate C-VLAN tagged flows onto an S-VLAN based EC is different from the AF used to aggregate C-VLAN tagged flows onto a non-Ethernet (e.g., MPLS LSP, SDH VC, OTN ODU) connection. Similarly, the AF used to aggregate a C-VLAN tagged flow onto an S-VLAN based EC is different from the AF that uses an I-SID tag, and it is different from the AF that uses any other type of tag plus a MAC header with Type, SA and DA fields (e.g., VPLS). Relevant distinctions will be noted in the EI and I-NNI specific implementation agreements and models.

Also note that in different implementation scenarios the same Ethernet technology (e.g., IEEE 802.1Q Provider Bridge), can be used to create transport entities in the MEF ETH Layer or transport entities in the MEF TRAN Layer. Although the high-level topological representation from the data plane viewpoint can appear to be the same the distinction in the usage becomes more evident when the associated operational, administrative and maintenance entities are explicitly shown in the functional representation.



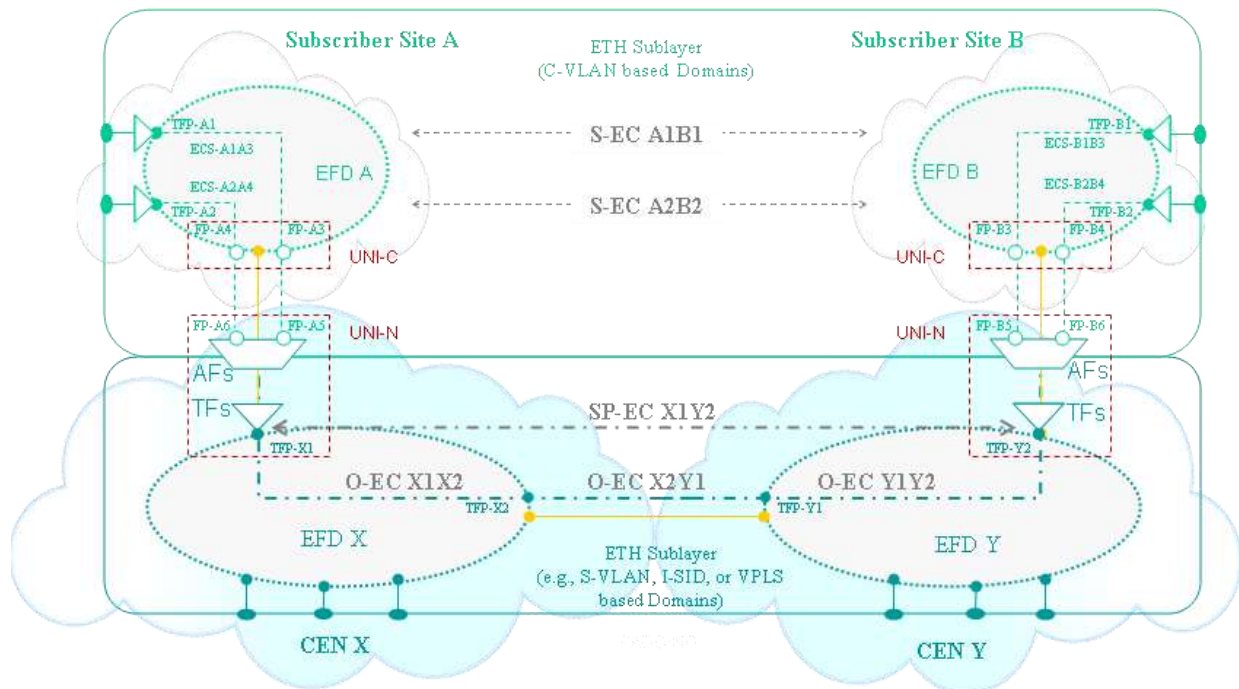
**Figure 8: Topological representation of ECSs aggregation into an EC**

An EC, and hence, any associated ECS', can convey Ethernet frames with multiple CoS performance objectives. For example, at a UNI the PCP field in a C-tagged or priority tagged Service Frame can be used to indicate multiple CoS performance objectives associated with a C-tagged flow as per MEF 10.3. Subscribers and CENs would typically invoke traffic engineering considerations when aggregating ECS'. Such considerations are Subscriber and CEN (and SLS) specific and outside the scope of this document.

### 6.4.2 EC Roles: Subscriber EC, Operator ECs and Service Provider EC

When describing MEF services delivered to Subscribers and the mechanisms used by CENs to support those services it is useful to be able to refer generically to either the Subscriber or CEN flows irrespective of the particular technology used to instantiate the relevant Ethernet frame flows. In this specification the term Subscriber EC (S-EC) is used to refer generically to an ETH Layer flow instantiated by a Subscriber. The term Operator EC is used to refer generically to an ETH Layer flow instantiated by a Network Operator. These flows can correspond to link flow/connections (e.g., between EFDs), flow domain/subnetwork connections (e.g., across an EFD) or network connections (e.g., across a network) introduced in Section 6.2.

In a multi-CEN situation, a Subscriber EC is typically conveyed over a number of Operator ECs, at least one for each traversed CEN. There is also an Operator EC used to interconnect the two CENs, also referred here to as a Link EC. Such multi-CEN scenario arises in situations where a SP contracts OVC from multiple Network Operators to offer a multi-CEN EVC, or when an Operator EC is carried over one or more Operator ECs, e.g., a carrier's carrier service. The concatenation of the O-ECs used to support a single Subscriber or CEN service instance is referred to in this document as a Service Provider EC (SP-EC). Note that a SP-EC can be from any EI to any EI as long as there are 1 or more O-ECs and 1 or more Link ECs. Thus, a SP-EC is not necessarily UNI-N to UNI-N. An example of this is given in Section 7.3 (Tunnel EC).



**Figure 9: Example of Subscriber EC (S-EC), Operator EC (O-EC) and Service Provider EC (SP-EC) in a multi-CEN environment**

Figure 9 illustrates the use of S-ECs, O-ECs and SP-ECs in a multi CEN context. The Subscriber has two S-ECs, S-EC A1B1 and S-EC A2B2, that traverse two CENs, CEN X and CEN Y. In this example the lead Service Provider instantiates an SP-EC, SP-EC X1Y2, to convey the Service Frames from Site A to Site B. This SP-EC is created from three O-ECs:

- an O-EC within CEN X, O-EC X1X2
- an O-EC within CEN Y, O-EC Y1Y2
- an O-EC interconnecting CEN X to CEN Y, O-EC-X2Y1

The EC model here generalizes to any arbitrary number of intervening CENs and Subscriber sites. Note that in some scenarios it is possible to emulate O-ECs via a TRAns Layer connection. Such an emulation is Network Operator specific and outside the scope of this document.

### 6.4.3 Relationship between ECs and EVCs/OVCs

An EVC is a service construct used to associate UNI Reference Points, and hence, enable the creation of end-to-end subscriber services instances across one or more CENs as specified by the MEF services definitions (e.g., MEF 6.1). An OVC is a service construct used to associate at least one ENNI with other ENNIs, and UNIs, and hence, enable the creation of Network Operator-oriented services instances across one or more CENs.

From the ETH Layer architecture viewpoint each tagged<sup>6</sup> Ethernet flow constitutes a separate EC. An EVC indicates the association of one or more instances of Subscriber ECs among a number of UNIs in an untagged or C-VLAN based ETH Sublayer. Within a CEN these Subscriber ECs can be switched as is, or, more typically, can be associated with one or more Operator ECs with a sublayer instance of the ETH Layer. An OVC is represented as an association of one or more instances of Operator ECs among a number of EIs. These O-EC instances include the Link EC between any two CENs. Hence, the concatenation of Operator ECs used to convey an EVC, or an OVC, or any aggregation of EVC or OVCs (but not both), for the purposes of delivering a single instance of an Ethernet Service is referred to as a Service Provider EC. The relationship between an EVC, its associated Subscriber EC(s), Operator EC(s), Service Provider EC and any underlying OVC(s) is illustrated in Figure 10.

Note that a CEN can be composed of two or more internal CENs. For instance, a Service Provider network can consist of a number of independent metro Ethernet networks interconnected over a wide-area Ethernet network (WEN) acting as a backbone. Thus, the O-EC traversing the Service Provider network can consist of a number of concatenated O-ECs across each of the independent domains constructed in the same fashion as Figure 10.

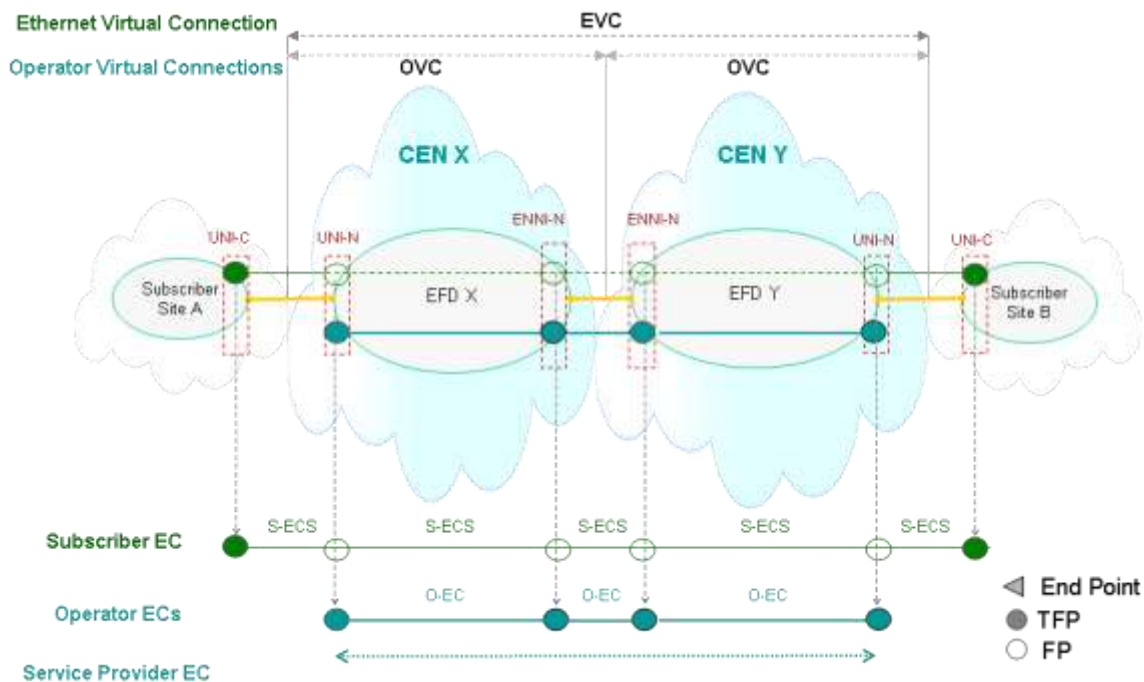


Figure 10: Relationship between EVC, OVCs, Subscriber EC, Operator EC(s) and Service Provider EC

<sup>6</sup> Untagged and priority tagged Ethernet frames are modeled as being “virtually” tagged.

The following requirements apply to Subscriber ECs:

- [R1] There **MUST** be at least one Subscriber EC associated with an EVC.
- [R2] There **MUST** be FPs located at two or more UNI-C in a Subscriber EC<sup>7</sup>.
- [O1] There **MAY** be more than one Subscriber EC associated with an EVC (e.g., see Bundling Service Attribute in MEF 10.3).
- [O2] There **MAY** be one or more CoS performance objectives associated with a Subscriber EC (e.g., see Performance Service Attributes and associated identifiers in MEF 10.3).

These requirements underline the 1:1 relationship between a CE VLAN-ID and a S-EC, the 1:n relationship between EVC/OVC and S-ECs (and hence, between EVC/OVC EPs and S-EC FPs), and the 1:n relationship between S-EC and CoS performance objectives.

The following requirements apply to Operator ECs:

- [R3] There **MUST** be at least one EVC or OVC associated with an Operator EC.
- [R4] There **MUST** be FPs located at two or more EIs that delimit an Operator EC<sup>8</sup>.
- [O3] There **MAY** be one or more CoS performance objectives associated with an Operator EC.
- [R5] Service Frames from an EVC or OVC associated with one or more Operator ECs **MUST** be forwarded such that the instantiated Operator EC(s) is consistent with the selective broadcast domain for the given EVC within each Operator domain.

Thus, these requirements underline the n:1 relationship between EVCs/OVCs and O-EC, and between CE-VLAN-IDs and O-ECs. In particular, a separate O-EC could exist for each CE-VLAN-ID bundle. An example of multiple EVCs associated with a single Operator EC is one where the O-EC is used to realize a tunnel service that conveys the ETH PDUs associated with the EVCs between a UNI and an ENNI.

The following requirements apply to Service Provider ECs:

- [R6] There **MUST** be at least one EVC or OVC associated with a Service Provider EC<sup>9</sup>.
- [R7] There **MUST** be TFPs located at two or more EIs that delimit a Service Provider EC.
- [O4] There **MAY** be one or more CoS performance objective associated with a Service Provider EC.
- [R8] A Service Frame from an EVC associated with a Service Provider EC **MUST** be forwarded such that the instantiated Service Provider EC supports the selective broadcast domain for the given EVC.

Note that in a case of an UNI-to-UNI Ethernet Service instantiated over a single CEN the Service Provider EC consists of a single Operator EC. For Ethernet Service instantiated over multi-CENs, the Service Provider EC consists of two or more O-ECs and one of these O-ECs is a Link EC.

Mapping EVCs and OVCs to ECs is service specific. Nonetheless, rules used to map Subscriber ECs, and their associated EVCs, to Operator ECs at a UNI need to comply with the MEF Services Model (MEF 10.3). Rules used to map Subscriber ECs or Operator ECs, and their associated OVCs, to Link ECs at ENNIs need to comply with the ENNI Technical Specification (MEF 26). Rules used to map Subscriber ECs or Operator ECs, and their associated EVCs and OVCs with Service OAM MEGs need to comply with the Service OAM Framework Technical Specification - MEF 17, and Service OAM Implementation Agreement - MEF 30.1. Table 3 shows plausible relationships

<sup>7</sup> In scenarios where the S-EC boundaries are located at the UNI-C, these FPs actually correspond to TFPs.

<sup>8</sup>Note that for an Operator EC across an EI, a Link EC, there are exactly two EIs delimiting the O-EC.

<sup>9</sup> An example of multiple EVCs or OVCs associated with a single SP-EC is one where the SP-EC is used to realize a tunnel O-EC across one or multi-CEN service.

between MEF Service constructs, such as EVCs, OVCs and Tunnels, and ETH Layer architectures constructs as depicted in Figure 10.

Although there are no requirements on the mechanisms used by CENs to implement Operator ECs, it is expected that at a minimum an S-VLAN based ETH sublayering mechanism is supported at ENNIs as well as any other EIs/IIs that can be defined that require support of an EVC tunneling or aggregation mechanism.

Administrative Entity	Service Entity	Service Entity Reference Points	Associated Architecture Entities	Associated Functional Elements	Associated SOAM MEG	
Subscriber	EVC	UNI	Subscriber ECS <sup>1</sup>	UNI-C	Subscriber <sup>1</sup>	
Service Provider	EVC	UNI	Subscriber ECS <sup>1</sup>	UNI-N	EVC <sup>1</sup>	
	EVC	UNI	SP-EC <sup>2</sup>	UNI-N	SP <sup>2</sup>	
	Tunnel-1	ENNI & UNI	Tunnel EC <sup>3</sup>	ENNI-N & UNI-N	SP <sup>3</sup>	
	Tunnel-2	ENNI	Tunnel EC <sup>4</sup>	ENNI-N	SP <sup>4</sup>	
Network Operator	Single	EVC	Subscriber ECS <sup>5</sup>	UNI-N	EVC <sup>5</sup>	
		EVC	Operator EC <sup>6</sup>	UNI-N	SP <sup>6</sup>	
		EVC	Operator EC <sup>6</sup>	UNI-N	Operator <sup>6</sup>	
		Tunnel-2	ENNI	Tunnel EC <sup>4</sup>	ENNI-N	Operator <sup>4</sup>
	Multi	OVC	ENNI & UNI	Subscriber ECS <sup>7</sup>	ENNI-N & UNI-N	Operator <sup>7</sup>
		OVC	ENNI & UNI	Operator EC <sup>7</sup>	ENNI-N & UNI-N	Operator <sup>7</sup>
OVC		ENNI	Operator EC <sup>8</sup>	ENNI-N	Operator <sup>8</sup>	
	UNI	UNI	ETH Link	UNI-N & UNI-C	UNI	
	ENNI	ENNI	ETH Link	ENNI-N	ENNI	

**Table 3: Relationship between Services and Architecture constructs.**

The following observations apply to Table 3:

1. The Subscriber ECS is the only transport entity required to traverse all EIs associated by an EVC. As such, it is the only suitable transport entity to be associated with the Subscriber MEG and the EVC MEG when using a Shared MEG Level model (see Y.1731).
2. EVCs are usually instantiated via one or more Operator ECs that create a Service Provider EC across one or more CENs. In use cases where there is a one-to-one mapping between the Service Frames of an EVC and such SP-EC, the Service Provider could use a MEG with the same scope as the SP-EC (referred to here as the Service Provider MEG) to monitor the EVC.
3. A Tunnel-1 based service (see Section 7.3) allows a Service Provider to limit visibility of EVCs at IIs and EIs of intermediate Network Operators via a Tunnel EC between an associated UNI and ENNI. A Service Provider can use a SP MEG within the scope of the Tunnel EC to monitor a Tunnel-1 based service. Note that a Tunnel-1 based service involves more than a single CEN. Each intermediate CEN is responsible for the instantiation of any Operator MEG required to monitor an OVC associated with the Tunnel ECS across a CEN.
4. A Tunnel-2 based service (see Section 7.3) allows Network Operators to limit the visibility of client EVCs or OVCs within their IIs via a Tunnel EC among a number of associated ENNIs (e.g., a carrier's carrier service). The Service Provider can use a Service Provider or Operator MEG (if the Tunnel EC involves a single CEN) to monitor the Tunnel-2 based service. Each intermediate CEN is responsible for the instantiation of any Operator MEG required to monitor an OVC associated with the Tunnel ECS across a CEN.
5. In a single CEN scenario it is always possible to associate the EVC MEG with the Subscriber ECS, irrespective of the presence of any Operator EC.
6. In a single CEN scenario an Operator EC can be used to instantiate an EVC. In use cases where there is a one-to-one mapping between the Service Frames of an EVC and a SP-EC, a Network Operator can use a SP or an



Operator MEG associated with the Operator EC to monitor the EVC. Note that in a single operator scenario the SP-EC and Operator EC have the same monitoring scope.

7. In a multi CEN scenario, an OVC is typically monitored via the Operator MEG in each CEN. Either the Subscriber ECS or the Operator EC, if present, can be associated with the Operator MEG for the OVC between an UNI and an ENNI. In use cases where there is a one-to-one mapping between the Service Frames of an EVC and a SP-EC, a Network Operator can use the Operator MEG associated with the Operator EC to monitor the OVC.
8. An Operator EC, and an associated Operator MEG, is always expected to be present in support of OVCs that only associate ENNIs.

A CEN can instantiate an Operator EC to convey Service Frames between UNI-Ns. Similarly, a CEN can instantiate an Operator EC to convey ETH PDUs between a UNI-N and an ENNI-N, or to convey ETH PDUs between ENNI-Ns. Manual (e.g., UNI Type 1 [20]), or management plane (see UNI Type 2 [22]) mechanisms can be invoked to configure the mapping of Service Frames to Operator ECs between the UNI-N and its associated UNI-C. In the future, Control Plane (UNI Type 3) mechanisms can be invoked to configure the mapping of Service Frames to Operator ECs between the UNI-N and its associated UNI-C, or even the end-to-end configurations of an Operator EC among a number of UNI-Ns and associated UNI-Cs.

[O5] O-ECs **MAY** be emulated by connections in the TRAN Layer. Such O-EC emulation is outside the scope of this document.

## 7. Reference Models for the ETH Layer Connections

From a topological perspective the ETH Layer consists of Subscriber EFDs and CEN EFDs, representing Subscriber LANs and CENs interconnected by ETH Links. At the functional level, ETH Layer adaptation functions are used to map the Subscriber ECs to ETH Links and ETH Layer flow termination functions then instantiate the connection/connectionless trail (see MEF 4) in the CEN associated with the Subscriber EC(s). The ETH TF also provides access into the ETH Layer functional elements in the Network Operator domains required to instantiate and manage ETH Layer flows within the involved CENs.

The material in this section describes the relationship of the EVC and EC concepts and the functional elements associated with the ETH Layer. High-level functional decompositions of the UNI, ENNI and other EI and IIs of interest are discussed in Section 9. External interfaces covered in this specification include:

- User-Network Interface (UNI)
- External Network-to-Network Interface (ENNI)

### 7.1 EC Types

The EC type indicates the forwarding behavior and degree of connectivity provided by an EC. An EC can be classified as:

- a uni-directional or bi-directional point-to-point transport entity,
- a unidirectional point-to-multipoint transport entity,
- a bidirectional multipoint transport entity<sup>10</sup>, or
- a compound concatenation of unidirectional and bi-directional transport entities.

An example of an EC consisting of a concatenation of point-to-point and multipoint ECs is one used to support a rooted multi-point EVC over two or more CENs to instantiate an E-Tree services as specified in MEF 10.3.

The next sections present topological representations of the following EC constructs that can be used by Network Operators and Service Providers to instantiate Operator and Service Provider ECs over CENs:

- Point-to-Point ECs
- Multipoint ECs

<sup>10</sup> A multipoint transport entity can also be interpreted as an instance of a number of point-to-multipoint transport entities. They are also referred to in ITU-T G.8021 as Flow Domain Fragments.

- Rooted Multipoint ECs
- Hairpin ECs
- Tunnel ECs

The focus of these representations is on key reference points (TFPs and FPs) in the participating CENs. Although the description is given in terms of generic ECs, the ECs of relevance among the CENs participating in the Ethernet service are Operator ECs in each CEN and the Service Provider EC.

7.1.1 Point-to-Point ECs

A Point-to-point EC is a transport entity used to convey ETH Layer PDUs among two FP. A typical example is the flow points at the UNI-Ns associated with a point-to-point EVC. Point-to-point ECs, and their associated point-to-point ECSs, can be uni-directional or bi-directional.

[R9] In a point-to-point bi-directional EC, each constituent ECS **MUST** be bidirectional.

A multi CEN Point-to-point SP-EC is constructed as a serial compound connection of O-ECs consisting of:

- one Point-to-point O-EC per traversed CEN, and
- one Point-to-point O-EC (i.e., Link EC) per traversed ENNI.

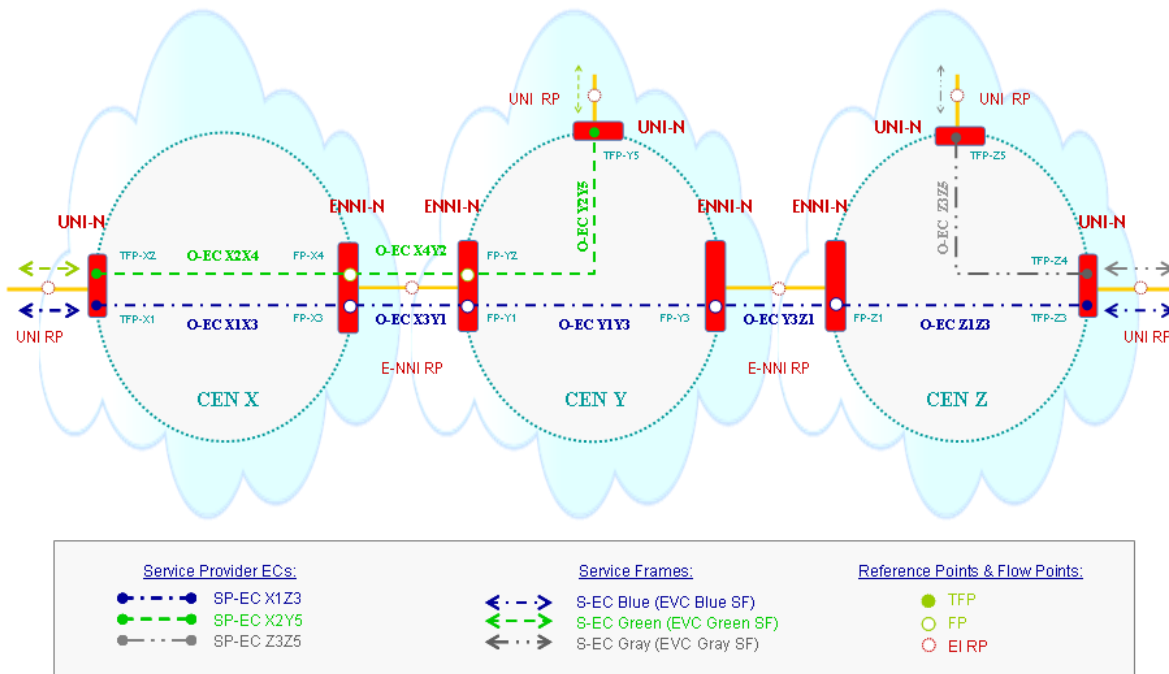


Figure 11: Example of Topological Representations of Point-to-point SP-ECs and associated O-ECs

Figure 11 illustrates examples of topological representations of bidirectional point-to-point SP-ECs traversing one, two or three CENs and identifies relevant reference points. Here, there is a SP-EC (SP-EC X1Z3) traversing CEN X, CEN Y and CEN Z interconnecting TFP X1 and TFP Z3. The SP-EC is constructed from O-EC X1X3 in CEN X, O-EC Y1Y3 in CEN Y and O-EC Z1Z3 in CEN Z. A Link EC, O-EC X3Y1, is used to interconnect O-EC X1X3 to O-EC Y1Y3. Similarly, a Link EC, O-EC Y3Z1, is used to interconnect O-EC Y1Y3 to O-EC Z1Z3. A similar approach is used to instantiate the SP-EC X2Y5 traversing CEN X and CEN Y, and the SP-Z3Z5 traversing CEN Z. The topological model generalizes to any number of participating CENs.

7.1.2 Multi-Point ECs

A Multipoint EC is a transport entity used to convey ETH Layer PDUs among two or more flow points. A typical example is the flow points at the UNI-Ns associated with a multipoint EVC. Multipoint ECs, and their associated ECSs, can be unidirectional or bidirectional.

[R10] In a bi-directional Multipoint EC each constituent ECS **MUST** be bidirectional and the two directions of any connection associated with the ECS are assumed to follow the same path at the given ETH Sublayer.

A Multipoint SP-ECs traversing multiple CENs is constructed as a serial compound connection of O-ECs consisting of:

- one Multipoint O-EC per traversed CEN, and
- one Point-to-point O-EC for each traversed ENNI.

[O6] A Multipoint O-EC **MAY** be replaced with a Point-to-point O-EC if there are only two EIs associated with the O-EC at the given CEN.

Figure 12 illustrates examples of topological representations of Multipoint SP-ECs traversing one or multiple CENs. Here, there is a SP-EC (SP-EC X1Y5Z3) traversing CEN X, CEN Y and CEN Z interconnecting TFP X1, TFP Y5 and TFP Z3. The SP-EC is constructed from O-EC X1X3 in CEN X, O-EC Y1Y3Y5 in CEN Y and O-EC Z1Z3 in CEN Z. A Link EC, O-EC X3Y1, is used to interconnect O-EC X1X3 to O-EC Y1Y3. Similarly, a Link EC, O-EC Y3Z1, is used to interconnect O-EC Y1Y3 to O-EC Z1Z3. A similar approach is used to instantiate the SP-EC ZZZ5Z6 traversing CEN Z. Note that the associated O-ECs of a Multipoint EC can be instantiated as point-to-point transport entities within a particular CEN, e.g., it will typically show as a point-to-point transport entity between ENNI components of adjacent CENs. The topological model generalizes to any number of CENs.

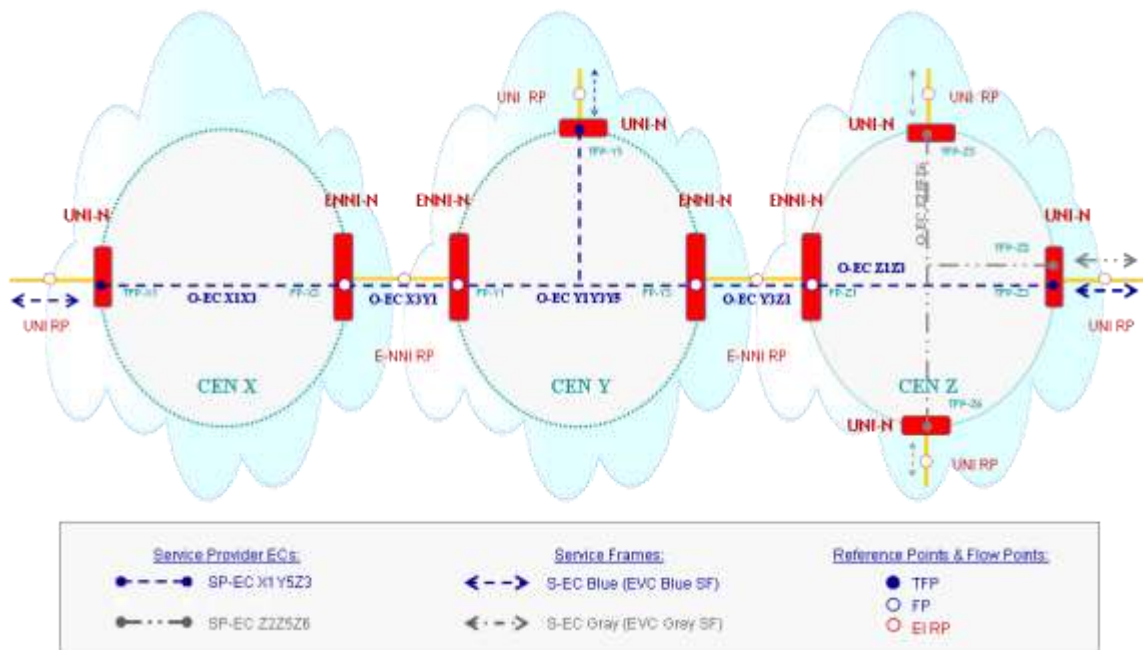


Figure 12: Example of Topological Representations of a Multipoint SP-EC and Associated O-ECs

### 7.1.3 Rooted Multi-Point EC

A Rooted Multipoint EC is a transport entity used to convey ETH Layer PDUs among FPs used to instantiate a rooted multi-point connection. A typical example is the FPs at Root and Leaf UNI-Ns associated with a rooted multipoint EVC. Rooted multipoint ECs can be constructed from a set of unidirectional and bidirectional ECSs. For the bidirectional ECSs, the two directions of any connection associated with the ECS are assumed to follow the same path at the given ETH Sublayer. The TFPs associated with the Root and Leaf UNIs are referred to as Root FPs and Leaf FPs, respectively. ETH PDU forwarding rules between Root UNIs (or Root UNI-Ns) and Leaf UNIs (or Leaf UNI-Ns) and associated FPs described below are intended to be consistent with the RMP service as defined in MEF 10.3.

By the RMP service definition in MEF 10.3, service frames received at a Root UNI can be forwarded to other Root UNIs and Leaf UNIs, while service frames received at a Leaf UNI can only be forwarded to Root UNIs. The set of TFPs associated with a RMP connection at EIs are:

- Root FP: associated with a Root UNI-N of a RMP connection
- Leaf FP: associated with a Leaf UNI-N of a RMP connection
- Trunk FP (T-FP): associated with a Trunk O-EC at an ENNI-N
- Branch FP (B-FP): associated with a Branch O-EC at an ENNI-N

Forwarding requirements for Trunk FPs and Branch FPs are:

- [R11]** An egress ETH PDU at a Trunk FP **MUST** be the result of an ingress ETH PDU at either a Root FP or another Trunk FP
- [R12]** An egress ETH PDU at a Branch FP **MUST** be the result of an ingress ETH PDU at either a Leaf FP or another Branch FP

Forwarding requirements for Root FPs and Leaf FPs are:

- [R13]** An egress ETH PDU at a Root FP **MUST** be the result of an ingress ETH PDU at a Root, Leaf, Trunk, or Branch FP
- [R14]** An egress ETH PDU at a Leaf FP **MUST** be the result of an ingress ETH PDU at either a Root or Trunk FPs

Table 4 summarizes the connectivity constraints based on the OVC End Point Subtype.

		Ingress TFP			
		Root	Leaf	Branch	Trunk
Egress TFP	Root	<input checked="" type="checkbox"/>	<input checked="" type="checkbox"/>	<input checked="" type="checkbox"/>	<input checked="" type="checkbox"/>
	Leaf	<input checked="" type="checkbox"/>	<input type="checkbox"/>	<input type="checkbox"/>	<input checked="" type="checkbox"/>
	Branch	<input type="checkbox"/>	<input checked="" type="checkbox"/>	<input checked="" type="checkbox"/>	<input type="checkbox"/>
	Trunk	<input checked="" type="checkbox"/>	<input type="checkbox"/>	<input type="checkbox"/>	<input checked="" type="checkbox"/>

Table 4: Allowed Connectivity between TFP types

#### 7.1.3.1 Trunk EC and Branch EC

Two special O-EC types are introduced to show a realization of the RMP TFP forwarding rules within a single CEN:

- 1) A Trunk O-EC, responsible for conveying service frames from a Root UNI to other Root UNIs and Leaf UNIs.
- 2) A Branch O-EC, responsible for conveying service frames from Leaf UNIs to Root UNIs.

To enable a RMP EC to span multiple CENs, it is necessary to interconnect the Trunk O-ECs of each CEN and to interconnect the Branch O-ECs of each CEN. Therefore the Trunk O-ECs and Branch O-ECs have TFPs at each ENNI-N traversed by the RMP EC.

The Trunk O-EC and Branch O-EC are in themselves compound ECs consisting of both bidirectional multipoint and unidirectional point-to-point ECs. In order to specify these ECs it is helpful to define three more types of flow points:

- Trunk-to-Leaf FP (TL-FP): associated with the interconnection of a Trunk O-EC to a Leaf UNI-N
- Leaf-to-Branch FP (LB-FP): associated with the interconnection of a Leaf UNI-N to a Branch O-EC
- Branch-to-Root FP (BR-FP): associated with the interconnection of a Branch O-EC to a Root UNI-N

A Trunk O-EC refers to a compound EC within a CEN consisting of:

- One Multipoint EC interconnecting the Root FPs, Trunk FPs and Trunk-to-Leaf FPs
- One unidirectional Point-to-point EC per Leaf UNI-N connecting from a Trunk-to-Leaf FP to a Leaf FP. One or more of these ECs can be consolidated into a point-to-multipoint O-EC.

A Branch O-EC refers to a compound EC within a CEN consisting of:

- One Multipoint EC interconnecting Leaf-to-Branch FPs, Branch FPs and Branch-to-Root FPs,
- One unidirectional Point-to-point EC per Leaf UNI-N connecting from a Leaf FP to a Leaf-to-Branch FP
- One unidirectional Point-to-point EC per Root UNI-N connecting from a Branch-to-Root FP to a Root FP. One or more of these ECs can be consolidated into a point-to-multipoint O-EC

A Rooted Multipoint SP-EC traversing multiple CENs is constructed as a compound serial connection of O-ECs consisting of:

- one Trunk O-EC per traversed CEN,
- one Branch O-EC per traversed CEN,
- a bidirectional Point-to-point O-EC interconnecting T-FPs at each traversed ENNI-N
- a bidirectional Point-to-point O-EC interconnecting B-FPs at each traversed ENNI-N

**Figure 13** shows a topological representation in a CEN of a multi-CEN RMP EC interconnecting a Root UNI, a Leaf UNI, and an ENNI. Within the CEN, the Leaf UNI-N forwards ETH PDUs to its Branch EC via the LB-FP and receives ETH PDUs from the Trunk EC via the TL-FP. The Root UNI-N forwards and receives ETH PDUs from its Trunk EC directly. It also receives ETH PDUs its Branch EC via the BR-FP.

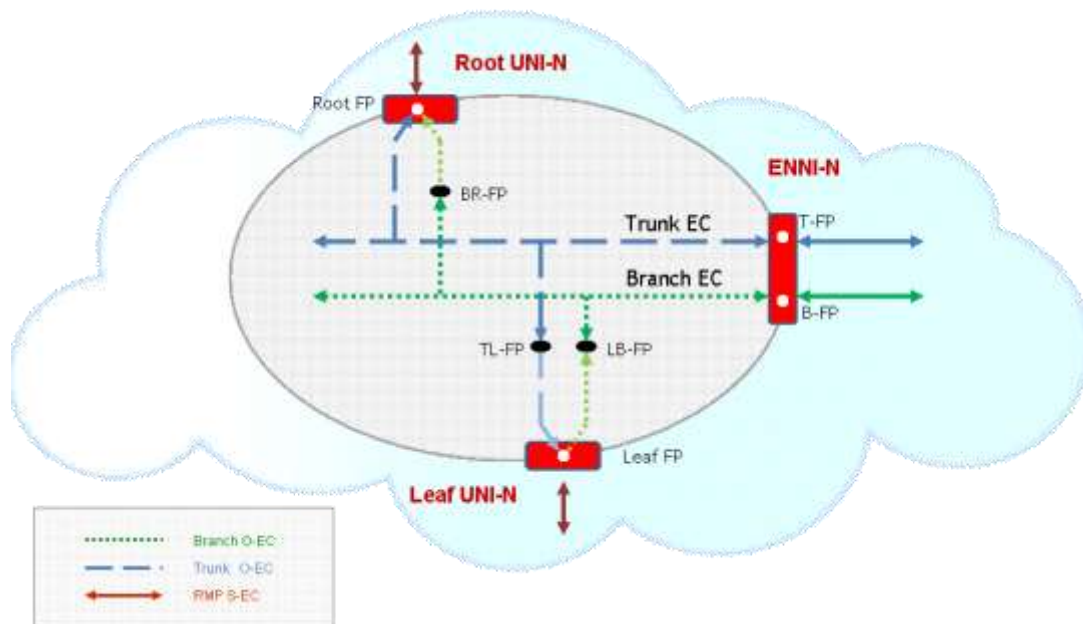


Figure 13: Topological representation of a portion of a RMP EC in a single CEN

Figure 13 does not constrain the location of BR-FP to be at a Root UNI-N and the TL-FP or LB-FP to be at a Leaf UNI-N. While it is possible to place the FPs at locations other than their corresponding UNI-Ns such implementation can impose additional resource management and operation burden on the instantiation and manageability of a RMP EC. These management and operational considerations are Network Operator specific and outside the scope of this specification.

Figure 14 shows a topological representation of a Rooted Multipoint EC, traversing three CENs (CEN X, CEN Y and CEN Z). Within each CEN there is a Trunk EC (ECS TX1X3X4X8 on CEN X, ECS TY4Y6Y8 on CEN Y and TZ2Z3Z4Z6 on CEN Z) and a Branch ECS (ECS BX1X3X4X7 on CEN X, ECS TY4Y5Y7 on CEN Y and TZ2Z3Z4Z5 on CEN Z) constructed under similar rules as those illustrated in Figure 13. There are two Point-to-point Link ECs used to interconnect the Trunk ECs: ECS X8Y6 between CEN X and CEN Y, and ECS Y8Z6 between CEN Y and CEN Z). There are also two Point-to-point Link ECs used to interconnect the Branch: ECSX7Y5 between CEN X and CEN Y, and ECSY7Z5 between CEN Y and CEN Z.

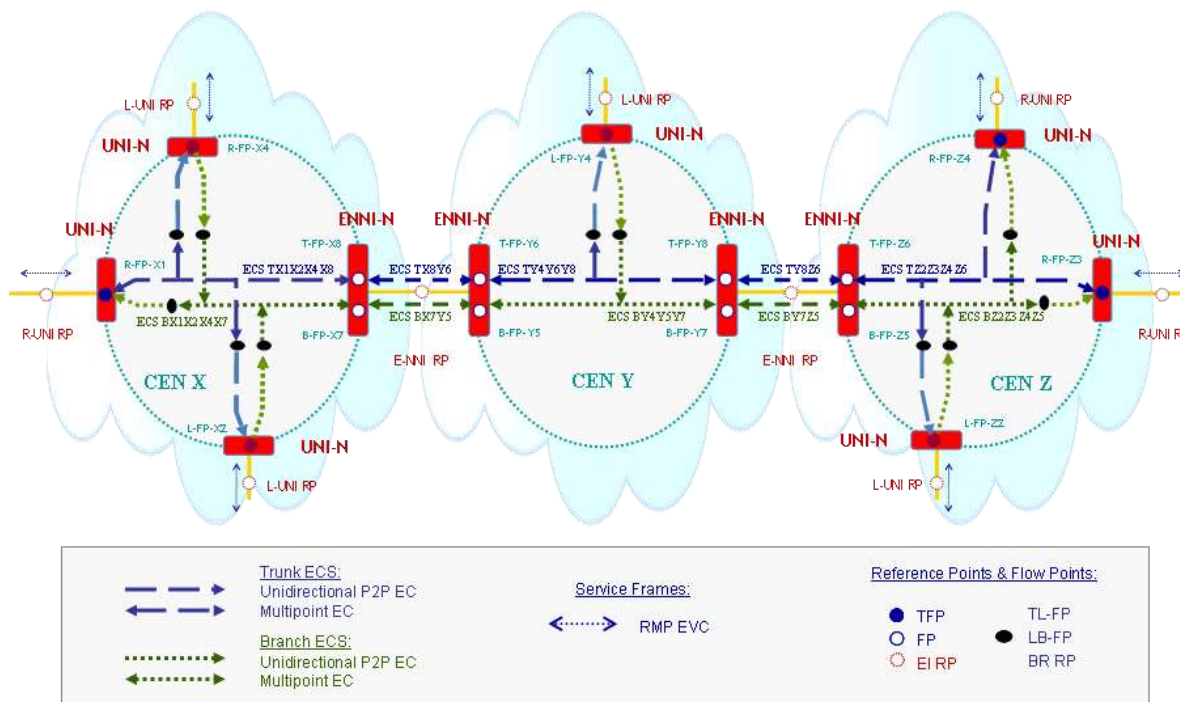


Figure 14: Root/Trunk O-EC

- [D1] When an RMP EC is implemented via Root/Trunk O-ECs there **SHOULD** be at least one T-FP and one B-FP associated with each ENNI-N participating in a RMP EC.
- [O7] Within any particular CEN there **MAY** be as many BR-FPs as Root UNI-Ns and as many LB-FPs and TL-FPs as the number of Leaf UNI-Ns in the CEN.

Note also that there are no requirements to instantiate within a CEN as many BR-FPs as Root UNI-Ns, or as many TL-FPs and LB-FPs as Leaf UNI-Ns. For example, a particular RMP EC realization could choose to associate multiple Root UNI-Ns to the same BR-FP, or associate multiple Leaf UNI-Ns to the same LB-FPs. Moreover, there are no requirements that the Trunk O-EC or the Branch O-EC encompasses multiple NEs. Hence, for example, a particular realization can choose to create any of these O-ECs within a single NE.

## 7.2 Hairpin EC

EC Hairpin refers to the interconnection, at an ENNI-N, of TFPs of an O-EC to the TFPs of O-ECs from another CEN. The EC Hairpin enables the Service Provider to deliver Ethernet Services at UNIs in other CENs. The Network Operator instantiating the EC Hairpin is referred to here as the *Hairpin Operator*. The Network Operator delivering the O-ECs to be part of the EC Hairpin is referred to here as the *Partner Operator*. The resulting SP-EC is referred to as a Hairpin EC.

Thus, what differentiates a SP-EC with EC Hairpins from other SP-ECs discussed so far is that each O-EC from the Partner Operator that form part of the SP-EC are treated by the Partner Operator(s) as separate and independent SP-EC instances, not as a segment of the SP-EC from the Hairpin Operator. The Partner Operators need not be concerned that each these O-ECs (SP-ECs from the viewpoint of each of these Partner Operators) are part of another single SP-EC instance.

More specifically, the following requirements apply to an EC Hairpin at an ENNI-N:

- [R15] There **MUST** be two or more TFPs associated with the O-EC (Hairpin EC) within the Hairpin Operator (the Network Operator instantiating the EC Hairpin)
- [R16] There **MUST** be one TFP from an O-EC from the Partner Operator for each TFP on the Hairpin EC
- [R17] There **MUST** be a one-to-one map between a TFP in the Hairpin EC and a TFP from the Partner Operator EC

There are no constraints imposed on the number of O-ECs from the Partner Operator(s) interconnected by the Hairpin Operator to an O-EC at a given ENNI-N in an EC Hairpin other than:

- [R18] Each one of the O-ECs in an EC Hairpin **MUST** belong to an independent O-EC instance.

Otherwise frames will be likely to loop among the interconnected FPs.

From the viewpoint of the involved Partner Operator(s) each of its O-ECs represents an independent end-to-end service instance with its own service OA&M capabilities, not a segment of a longer SP-EC. It is the sole responsibility of the Hairpin Operator to treat the resulting compound EC as a single service entity and handle all service OAM coordination and reporting functions for the resulting SP-EC. A TFP at an ENNI-N interconnecting two O-ECs to help instantiate an EC Hairpin is referred to as a Hairpin Flow Point (H-FP).



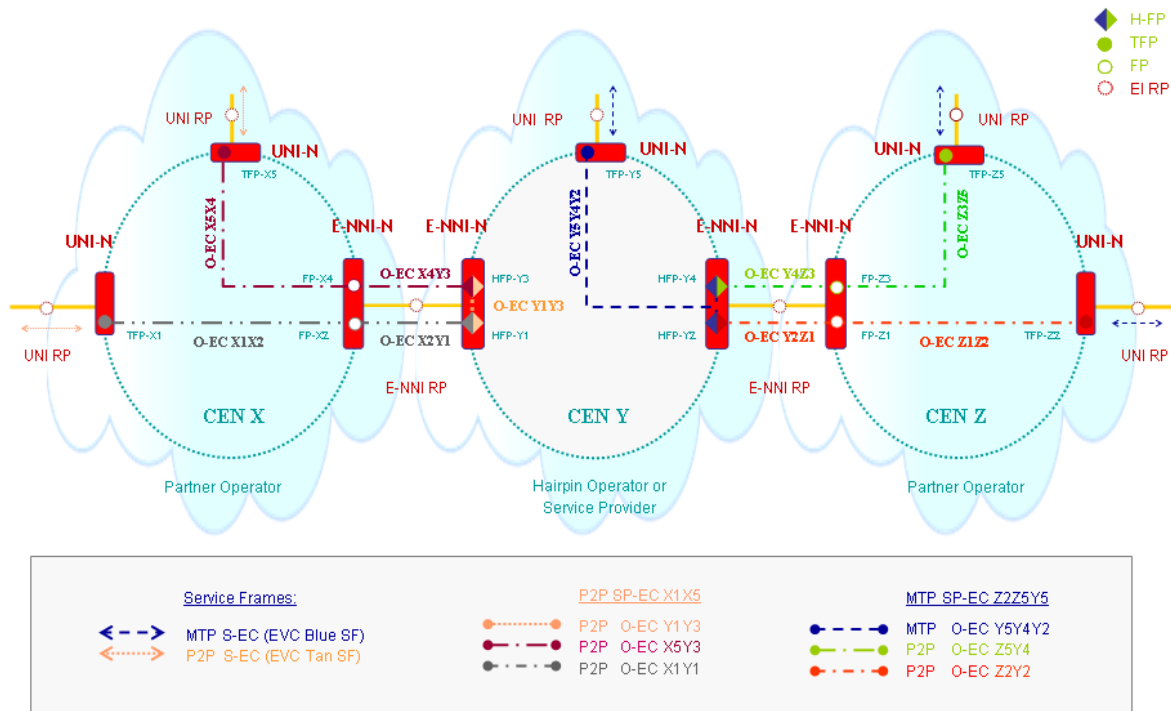


Figure 15: Point-to-Point and Multipoint Hairpin SP-ECs

Figure 15 illustrates various O-ECs used to construct point-to-point and multipoint SP-ECs using EC Hairpins in support of E-Line and E-LAN services. In the E-Line scenario, two Point-to-point O-ECs, represented by O-EC X1X2 and O-EC X5X4 on CEN X, are interconnected via an EC Hairpin to a Point-to-point O-EC, represented by O-EC Y1Y3, at the ENNI-N on CEN Y, to form the SP-EC X1X5. Here, O-EC Y1Y3 exists solely within the scope of the ENNI-N of the Hairpin Operator on CEN Y. In the E-LAN scenario, two Point-to-point O-ECs, represented by O-EC Z1Z2 and O-EC Z3Z5 on CEN Z, are interconnected via an EC Hairpin to a Multipoint O-EC, represented by O-EC Y5Y4Y2, at the ENNI-N on CEN Y, to form the SP-EC Y5Z2Z5. Although O-EC Y5Y4Y2 only associates two EIs, there are three FPs associated by the EC. Note that the topological model here generalizes to incorporate any number of CENs.

### 7.3 Tunnel ECs

The term “Tunnel EC” is used to describe a particular instance of an EC that transport frames from multiple client ECSs across one or more network domains. The term 'Tunnel' can be applied to an Operator EC within a single network domain or to a Service Provider EC representing the concatenation of multiple such Tunnel O-ECs that have the same set of client ECSs. The client ECS can be related to Subscriber or Operator ECs. One anticipated application for Tunnel ECs, and their associated “Tunnel Services”, is the construction of “All-to-One” bundles of client ECSs such that individual demarcation of the client flow(s) is irrelevant to the transport service provided by the Tunnel EC.

There are no restrictions on the type of EIs that can be associated to create Tunnel ECs. In particular, two usage cases for Tunnel ECs in support of carrier wholesale services have been noted.

Tunnel-1 service: This tunnel service is intended to associate a UNI in one CEN with an ENNI leading to another CEN. The Operator ECs associated with the Tunnel-1 service are intended to transport ETH PDUs between the Subscriber and the Network Operating acting on behalf of the Service Provider. There can be one or more intermediate CEN(s) traversed by the Tunnel-1 service and associated Operator ECs. There can be multiple EVCs associated with the UNI. The Operator EC associating an ENNI-N from the Network Operator acting as the Service Provider with the UNI-N from Network Operator acting as the Access Provider is a Tunnel EC.

Tunnel-2 service: This tunnel service is intended to associate two ENNI. The Operator EC associated with the Tunnel-2 service is intended to transport ETH PDUs from a given CEN, the client CEN, across one or more CENs, the server CENs. Thus, there can be one or more intermediate server CENs traversed by the Tunnel-2 service and associated Operator ECs. There can be multiple OVCs associated with the ENNI of the client CEN. The Operator EC associating the two ENNI-Ns from the server CENs across one or more intermediate server CENs is also a Tunnel EC.

## 8. ETH Layer Processing Functions

The following ETH Layer processing functions are identified:

- ETH Flow Adaptation Function (EFAF)
- ETH Flow Termination Function (EFTF)
- ETH Conditioning Functions:
  - ETH Flow Conditioning Function (EFCF)
  - ETH Subscriber Conditioning Function (ESCF)
  - ETH Provider Conditioning Function (EPCF)
- ETH ECS Adaptation Function (EEAF)
- ETH EC Termination Function (EETF)
- ETH Connection Function (ECF)
- ETH EC Interconnect Function (EEIF)

In addition, the following processing functions also support processing functions related to the ETH Layer, yet they are not fully contained within the ETH Layer:

- APP to ETH Adaptation Functions (EAFs)
- ETH to TRAN Adaptation function (TAFs)

Figure 16 shows the generic representation of the processing entities described in this document. Although not explicitly depicted in Figure 16 the ECF is the smallest instance of an EFD.

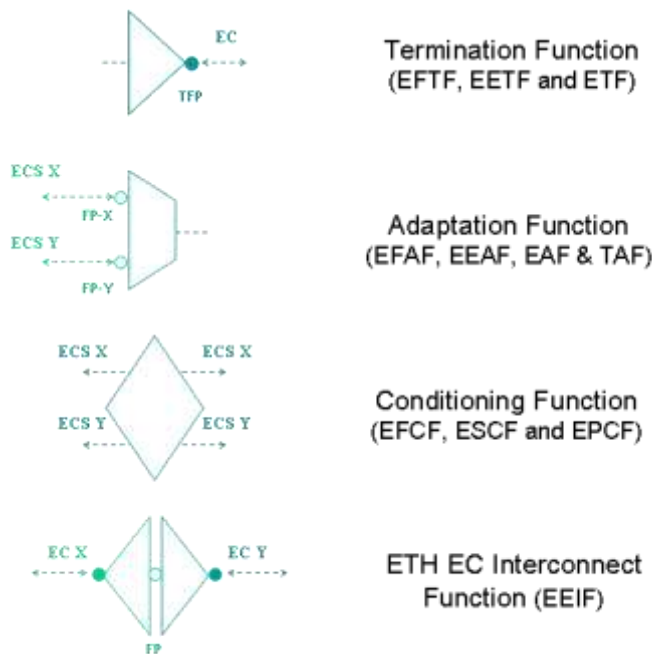


Figure 16: Diagrammatic representation of ETH Layer processing entities

Note that some functional elements such as AFs and TFs are defined as consisting of two separate source and sink components which are paired with counterpart sink and source components. This is the case for functional elements that add, and later remove, information elements to a flow for transport purposes. Other functional elements such as conditioning and classification functions (e.g., EFCF, ESCF and EPCF) are defined as stand-alone elements consisting of separate ingress and egress components. This is the case for functional elements that just modify the information elements being conveyed by a flow. Thus different sets of processing functions apply to different client/server combinations (e.g., the TAF for Ethernet-over-Fiber is different from the TAF for Ethernet over SONET/SDH; see also ITU-T G.8010 and G.8021). The sections below describe each of these functional elements. Section 9 illustrates the use of these processing functions to represent the ETH Layer base interfaces, the UNI and the ENNI.

## 8.1 APP to ETH Adaptation Function (EAF)

The APP to ETH Adaptation Function (EAF) refers to a class of processing entities responsible for the adaptation of the PDUs between the APP layer and the ETH Layer. EAFs are application specific as there are multiple application client types (e.g., IP, TDM, encoded voice/ITU-T G.711, encoded video/BDV-ASI, etc.) that could wish to make use of the ETH Layer services. The EAF consists of separate source and sink functions.

The processes associated with the EAF Source function include:

- Reception of client PDUs
- LLC PDU formation (if LLC is present)
- EtherType allocation as per client application and/or LLC type (if LLC is present)
- Any required padding to minimum transmission unit size
- Multiplexing of adapted client PDUs towards EFTF

The processes associated with the EAF Sink function include:

- Demultiplexing of adapted client PDUs from EFTF
- De-encapsulation and EtherType processing
- LLC PDU extraction (if LLC is present)
- Relaying PDU to client process (as per EtherType)

## 8.2 ETH Flow Adaptation Function (EFAF)

The EFAF is the processing entity in the ETH Layer responsible for the adaptation of untagged ETH PDUs into C-tagged ETH PDUs as well as imposition/disposition or swapping of C-tags. The EFAF consists of separate source and sink functions.

The processes associated with the EFAF Source function include:

- Reception of untagged ETH PDUs from client ECs
- Mapping of conditioned client ETH PDUs into adapted ETH PDU for the given ETH Sublayer technology
- (Optional) Adaptation of the CoS indications in the EFD into the CoS indication for the tagged EC as per CoS performance objectives
- (Optional) Ingress traffic management functions including
  - Buffer management as per CoS performance objectives
  - Scheduling as per CoS performance objectives
- Aggregation of adapted ETH PDU from various host process
- Relaying the adapted ETH-PDU to the EFTF

The processes associated with the EFAF Sink function include:

- Reception of adapted ETH PDUs from the EFTF
- De-aggregation of adapted ETH PDUs into their corresponding ETH flow instances
- (Optional) Adaptation of the CoS indications from the EFD CoS indications, if applicable
- (Optional) Egress traffic management functions
- Relaying the untagged ETH PDU toward the client EFD

### 8.3 ETH Flow Termination Function (EFTF)

The ETH Flow Termination Function refers to a class of processing entities in the ETH Layer responsible for the instantiation of untagged or C-VLAN tagged Ethernet flows in a Subscriber EFD. The EFTF consists of separate source and sink functions.

The processes associated with the EFTF Source function include:

- Reception of adapted client PDUs from the EFAF or EAF
- Ethernet frame preparation including:
  - Values for the Destination and Source MAC Address fields,
  - Optional IEEE 802.1Q VLAN ID and UP value (CE-VLAN-CoS value to be populated in the Priority field of the C-VLAN tag), and
  - User Data preparation
- Formatting of ETH PDU (including any required OA&M information elements)
- Relaying of ETH PDU toward target EFD FP.

The processes associated with the EFTF Sink function include:

- Reception of the ETH PDU from an EFD FP.
- Extraction of User Data (and potentially OA&M) information elements
- Relaying adapted client PDU to EFAF or EAF

### 8.4 ETH Conditioning Functional Elements

The ETH conditioning functional elements refer to a class of processing entities responsible for classifying, filtering, metering, marking, policing, shaping and, in general, conditioning of flows into and out of the ETH Layer links typically found between administrative network boundaries. Three types of ETH conditioning functions are identified: i) ETH Flow Conditioning Function, ii) ETH Subscriber Conditioning Function, and iii) ETH Provider Conditioning Function.

#### 8.4.1 ETH Flow Conditioning Function (EFCF)

The ETH Flow Conditioning Function (EFCF) is the processing entity of the ETH Layer responsible for classification, filtering, metering, marking, policing, shaping and, in general, conditioning the Subscriber flow into and out of a Subscriber EFD. The EFCF consists of an ingress function operating on flows from the CEN and an egress function operating on flows to the CEN<sup>11</sup>.

The processes associated with the EFCF Egress function include:

- Reception of candidate Ingress Service Frame from the Subscriber EFD
- Ingress Service Frame classification into one or more (e.g., Service Multiplexing) ingress flows as per UNI Ingress rules defined in the MEF Services Model (MEF 10.3)
- Ingress Service Frame conditioning towards the Service Provider EFD as applicable to ingress flow(s) as per contracted Ingress BWP including:
  - Metering,
  - Policing (optional),
  - Marking., and
  - Shaping (optional)
- Relaying the Ingress Service Frame to the TAF at the UNI-C

The processes associated with the EFCF Ingress function include:

- Reception of Egress Service Frames from the TAF at the UNI-C

<sup>11</sup> Note that the EFCF processes are named after the direction of the data flow at the UNI-C port where it is used. The egress process processes the frames going out at the UNI-C (egress direction) and the ingress process processes the frames coming in at the UNI-C (ingress direction). Service Frames, however, are named in relation to the CEN, hence, irrespective of the port (see MEF 10.2).

- Egress Service Frame classification (Optional) as applicable within the Subscriber EFD
- Egress Service Frame conditioning (Optional) as applicable within the Subscriber EFD including:
  - Metering,
  - Policing (optional)
  - Marking, and
  - Shaping (optional)
- Relaying the Egress Service Frame towards the Subscriber EFD

#### 8.4.2 ETH Subscriber Conditioning Function (ESCF)

The ETH Subscriber Conditioning Function (ESCF) is the processing entity of the ETH Layer responsible for classification, filtering, metering, marking, policing, scheduling, shaping and, in general, conditioning the subscriber flow into and out of a Service Provider EFD at a UNI-N. The ESCF consists of an ingress function operating on flows toward the CEN and an egress function operating on flows from the CEN.

The processes associated with the ESCF Egress function include:

- Reception of Egress Service Frame from the Service Provider EFD
- Egress Service Frame classification, including filtering, as per Egress UNI rules defined in the MEF Services Model (MEF 10.3)
- Egress Service Frames conditioning towards the Subscriber EFD as per contracted Egress BWP including:
  - Metering,
  - Policing (optional),
  - Marking, and
  - Shaping
- Relaying the Egress Service Frames towards the TAF at the UNI-N

The processes associated with the ESCF Ingress function include:

- Reception of Ingress Service Frame from the TAF at the UNI-N
- Ingress Service Frame classification, including filtering, as per Ingress UNI rules defined in the MEF Services Model (MEF 10.3).
- CoS determination as per contracted SLS
- Ingress Service Frame conditioning towards the Service Provider EFD as per contracted Ingress BWP including:
  - Metering,
  - Policing, and
  - Marking
- Ingress Service Frame Shaping as per Service Provider internal resource management requirements
- Relaying of the Ingress Service Frames towards the Service Provider EFD

#### 8.4.3 ETH Provider Conditioning Function (EPCF)

The ETH Provider Conditioning Function (EPCF) is the processing entity of the ETH Layer responsible for classification, filtering, metering, marking, policing, scheduling, shaping and, in general, conditioning flow(s) between two CENs. The EPCF supports ETH Layer traffic conditioning functions satisfying the flow classification and resource management requirements at the ENNI. The EPCF consists of an ingress function operating on inbound flows to the CEN and an egress function operating on outbound flows from the CEN.

The processes associated with the EPCF Ingress function include:

- Reception of Ingress ETH PDUs from the TAF at the ENNI
- Ingress ETH PDUs classification, including filtering, consistent with the SLS specification for the relevant Ingress ENNI.
- CoS determination as per contracted SLS
- Ingress Service Frame conditioning as per contracted Ingress BWP including:
  - Metering,

- Policing, and
- Marking
- Ingress ETH PDU Shaping as per the CEN's internal resource management requirements
- Relaying the Ingress ETH PDU towards the CEN's EFD

The processes associated with the EPCF Egress function include:

- Receiving Egress ETH PDU from the CEN's EFD
- Egress ETH PDU classification, including filtering consistent with ENNI SLS
- Egress ETH PDU conditioning towards the target CEN as per contracted Egress BWP including:
  - Metering,
  - Marking, and
  - Shaping
- Relaying the Egress ETH PDU to the TAF at the ENNI

## 8.5 ETH EC Adaptation Function (EEAF)

The EEAF is the processing entity in the ETH Layer responsible for the adaptation of ETH PDUs between the ETH Sublayer technology used in the Subscriber domain and the ETH Sublayer technology used in the Network Operator domain. Thus, the EEAF can be viewed as a specialized "Flow Adaptation Function" for the purposes of handling ETH PDU transitions between two ETH Sublayers. Note that an EEAF is not required to be present. This can be the case when dedicated physical/logical link is used to convey the ETH Layer PDUs. The EEAF consists of separate source and sink functions.

The processes associated with the EEAF Source function include:

- Reception of client ETH PDUs from a ESCF or TAF
- Mapping of conditioned client ETH PDUs into adapted ETH PDU for the given Operator EC technology
- (Optional) Adaptation of the CoS indications in the client ETH PDU into the CEN's CoS indications as per contracted SLS
- Aggregation of adapted ETH PDUs from the various client EC instances according to SLS (Optional)
- Ingress traffic management functions including
  - Buffer management as per CoS performance objectives
  - Scheduling as per CoS performance objective
- Relaying the adapted ETH PDU toward the EETF.

The processes associated with the EEAF Sink function include:

- Receiving adapted ETH PDUs from the EETF
- De-aggregation adapted ETH PDUs from the Operator EC into their corresponding client ETH PDUs for the various Egress ECs according to SLS (Optional)
- (Optional) Adaptation of the CEN's CoS indications into the client EC CoS indications, as applicable
- De-mapping adapted ETH PDUs into ETH PDU for the given client EC technology
- Relaying the client ETH PDU toward the ESCF or TAF.

When the Operator EC is implemented via TRAN layer trails the EEAF need not be present.

## 8.6 ETH EC Termination Function (EETF)

The EETF is the processing entity in the ETH Layer responsible for the instantiation of an Operator EC. Thus, the EETF can be viewed as a specialized "Flow Termination Function" for the purposes of forwarding ETH PDUs associated with the Operator ECs. The EETF consists of separate source and sink functions.

The processes associated with the EETF Source function include:

- Receiving adapted ETH PDUs from the EEAF
- Aggregation of management (e.g., OA&M), control and data plane PDUs
- Relaying of the ETH PDUs towards the CEN EFD

The processes associated with the EETF Sink function include:

- Reception of the adapted ETH PDU from the CEN EFD
- De-aggregation of management (e.g., OA&M), control and data plane PDUs
- Relaying the adapted ETH PDU to the EEAF

When the Operator EC consists of a single ETH Layer link, the EETF need not be present.

## 8.7 ETH Connection Function (ECF)

The ECF is the processing entity in the ETH Layer that affects the forwarding of the EC PDUs among ETH Links. The main role of the ECF is to switch traffic between ETH Layer links to facilitate the instantiation of point-to-point or multipoint connections<sup>12</sup>. ECFs are technology specific. Various connections models can be associated with ECFs. A sample list includes:

- Ethernet Frame Relay<sup>13</sup>
  - The ECF operates as a two port an Ethernet frame relay
  - The ECF emulates a point-to-point link
- IEEE 802.1D Bridge<sup>14</sup>
  - The ECF operates as an Ethernet Bridge as per IEEE 802.1D [3]
  - The ECF supports IEEE 802.1D based broadcast domains
- IEEE 802.1Q VLAN Bridge<sup>15</sup>
  - The ECF operates as an Ethernet VLAN Bridge as per IEEE 802.1Q [4]
  - The ECF supports IEEE 802.1Q/C-VLAN based broadcast domains
- IEEE 802.1Q Provider Bridge
  - The ECF operates as an Ethernet Provider Bridge as per IEEE 802.1Q Provider Bridge
  - The ECF supports IEEE 802.1Q/C-VLAN and IEEE 802.1 Provider Bridge/S-VLAN based broadcast domains
- IEEE 802.1Q Provider Backbone Bridge
  - The ECF operates as an Ethernet Provider Backbone Bridge as per IEEE 802.1Q Provider Backbone Bridge
  - The ECF supports IEEE 802.1Q/C-VLAN, IEEE 802.1Q Provider Bridge/S-VLAN and IEEE 802.1Q Provider Backbone Bridge/I-SID based broadcast domains
- ATM:
  - The ECF operates as an emulate Ethernet Bridge ATM as per ATM Forum LANE specification [12]
  - The ECF supports emulation of multipoint IEEE 802.1Q/C-VLAN based broadcast domains
- IETF VPLS Split-Horizon bridging function
  - The ECF emulates forwarding aspects of an IEEE 802.1D or an IEEE 802.1Q bridge as per the IETF L2VPN model [31][32]
  - The ECF supports IEEE 802.1Q/C-VLAN and IEEE 802.1Q Provider Bridge/S-VLAN based broadcast domain

Detailed models for each of these ECF implementations are outside the scope of this document.

<sup>12</sup> The term connection is used here in a broad sense. If the transport mode provided by the underlying layer network were connectionless the connection would be termed a network flow and the ECF would be termed an ETH flow domain function in the ITU-T Rec. G.809/G.8010.

<sup>13</sup> The term ECF is also used here in a loose sense as the “relay” function may be emulated via TAFs.

<sup>14</sup> It is commonly used to realize enterprise EFDs.

<sup>15</sup> It is commonly used to realize CoS-aware enterprise EFDs.

## 8.8 ETH EC Interconnect Function (EEIF)

When two CENs are interconnected across an EI there will be common usage scenarios where the ETH Sublayer technology used in one CEN is different from the ETH Sublayer technology used on the EI (e.g., one of the CENs is based on PBB or VPLS and the ETH Sublayer technology specified for the EI is based on IEEE 802.1Q Provider Bridge). The ETH EC Interconnect Function (EEIF) refers to the processing entity responsible for the adaptation of the ETH PDUs between two distinct types of ETH Sublayer technologies.

EEIFs are technology specific, as they depend on the type of ETH Sublayer technologies being matched. The EEIF can be realized as a serial compound functional entity consisting of:

- a) one EETF/EEAF pair used to terminate and expose the payload of the Operator EC traversing the EI,
- b) one EETF/EEAF pair used to terminate and expose the payload of the Operator EC traversing the CEN,

The EETF/EEAF pairs are interconnected back-to-back with their source and sink processing interfaces facing towards the targeted ECs. The EEIF is represented as depicted in Figure 16. When the same transport technology is used by both Operator ECs interconnected by the EEIF it can be possible to reuse the same Tag ID on both Operator ECs.

Note that the choice of ETH Sublayer technology within a CEN is Network Operator specific and outside the scope of this specification. In addition, the choice of ETH Sublayer technology for an EI is determined by the requirements in the EI specific Implementation Agreement. Hence, the specification of ETH Sublayer technologies for an EI is outside the scope of this document.

## 8.9 ETH to TRAN Adaptation function (TAF)

The TAF refers to a class of processing entities responsible for the adaptation of the ETH PDUs to its serving TRAN Layer. TAFs are technology specific as there are multiple server layer network types (e.g., Ethernet, SONET/SDH, ATM, FR, MPLS, etc.) that can be used to instantiate the ETH Layer links. In all cases, the Ethernet MAC frame format for the EI is specified as per IEEE 802.3-2005. The TAF consists of separate source and sink processes.

The processes associated with the TAF source include:

- Buffering and scheduling of the ETH\_CI information units
- Allocation of VLAN ID field value, if applicable
- Payload padding to meet minimum transmission unit size requirements for the server layer
- Generation of MAC frame FCS
- Encapsulation/encoding (e.g., adaptation) ETH\_CI according to TRAN layer specific requirements.
- Multiplexing of EC PDUs into ETH Link
- Rate Adaptation into the TRANs layer
- Insertion of adapted ETH Layer data stream into payload of TRAN layer signal

The processes associated with the TAF sink include:

- Ethernet MAC frame FCS verification
- Ethernet MAC Frame filtering of ETH PDUs from the Subscriber not intended to be forwarded across the EI/NNI
- Extraction of adapted ETH\_CI from payload of the TRAN layer signal
- De- multiplexing of encapsulated EC PDUs

For L1 oriented TRANs, applicable adaptations include, among others:

- Ethernet:
  - 8B/10B encoding (IEEE 802.3) [2]
  - 4B/5B encoding (IEEE 802.3) [2]
- SDH/SONET:
  - GFP (ITU-T Recommendation G.7041) [9]
  - LAPS (ITU-T Recommendation X.86) [10]

For L2 oriented TRANs, e.g., adaptation applicable adaptations include, among others:



- IEEE 802.1Q PBB Traffic Engineering (PBB-TE)
- ATM Multi-protocol over AAL5 encapsulation as per IETF RFC2684 [29]
- IP/MPLS encapsulation as per IETF PWE3 model [30]

## 9. Base ETH Layer Functional Element Models

The Generic Architecture Framework (MEF 4) introduced various interfaces and associated functional elements to demark interconnect boundaries between administrative network components in the MEF architecture model. These interfaces, represented as ETH Links in the topological representation of the ETH Layer Network, provide a fixed relationship among functional elements required to implement the demarcation and processing functions at each end of the physical link/media associated with the EI. These set of processing functions are generically referred to as the EI Functional Elements. In particular, this document refers to the UNI and the ENNI as the Base ETH Layer functional elements, or Base EIs, of the MEF architecture model.

From the requirements in Section 6 implicit relationships can be derived among transport entities at the ETH Links of MEF compliant EIs:

- [R19]** It **MUST** be possible to realize a one-to-many relationship between the ETH Link and its underlying TRAN Link(s).
- [R20]** It **MUST** be possible to specify a one-to-many relationship between an EVC/OVC and Subscriber ECs
- [R21]** It **MUST** be possible to define a many-to-one relationship between Subscriber ECs and Operator ECs.

These requirements arise from the peering relationship in the service model between the administrative and functional entities in the architecture model.

Examples of TRAN Links are: SDH VC-n-Xv, SONET STS-n-Xv, IEEE 802.3 PHYs, ATM VCs, and MPLS LSPs, among others. Note that a single ETH Link can consist of multiple TRAN Layer link connections or serial compound link connections. Examples are IEEE 802.3ad (LAG) for Ethernet physical interfaces and ITU-T G.707, ITU-T G.709 and ITU-T G.8040 for virtually concatenated TDM signals. Ethernet-over-SONET and Ethernet-over-OTN trails built on ITU-T G.7041/Y.1303 are examples of potential multi TRAN Layer link connections.

The rest of Section 9 provides functional representations for ETH Layer components of the Base EIs specified in this document.

### 9.1 ETH UNI

The UNI is the interface specified as the demarcation point between the responsibilities (and associated processing functions) of a Service Provider and the responsibilities (an associated processing functions) of a Subscriber. The functional element that represents the set of CEN functions is referred to as the UNI-N. The functional element that represents the set of Subscriber functions is referred to as the UNI-C.

From MEF 4, there can only be a 1:1 relationship between a CEN and a Subscriber at an ETH Link associated with an UNI.

An ETH UNI-C consists of the following processing functions:

- a TAF instantiating the ETH Link towards the UNI-N
- an (optional) ETH Flow Conditioning Function at the UNI-C end of the ETH Link
- one ETH Flow Termination Function, and associated EEAF, for each Subscriber EC on the ETH Link

An ETH UNI-N consists of the following functions:

- a TAF instantiating the ETH Link toward the UNI-C
- an ETH Subscriber Conditioning Function at the UNI-N end of the ETH Link
- one ETH EC Termination Function, and associated EEAF, for each Operator EC associated with an set of Subscriber ECs.

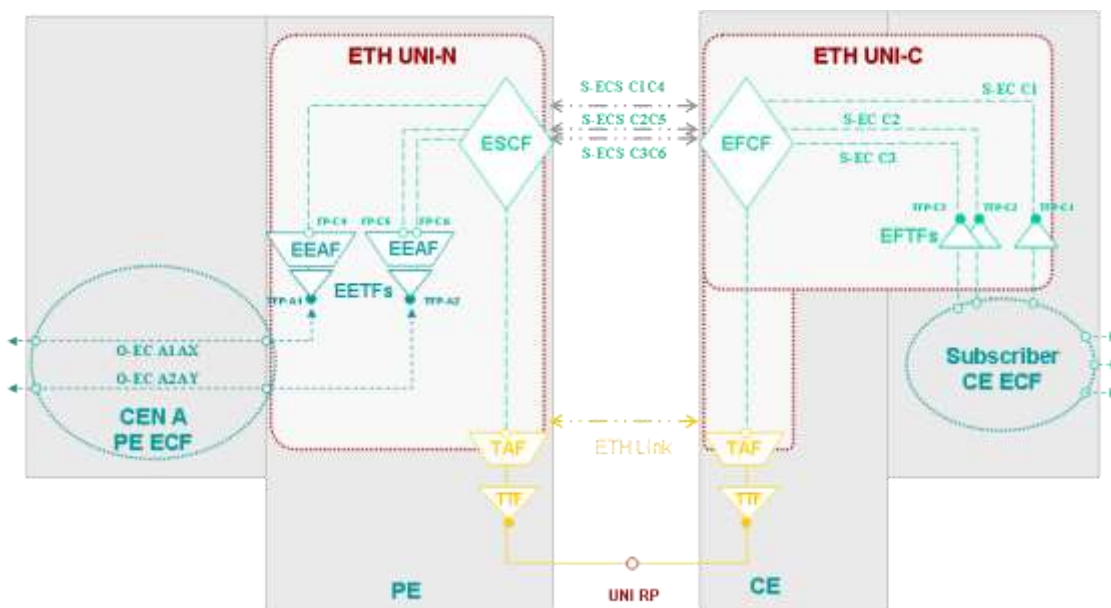


Figure 17: Functional representation of an ETH UNI-N and ETH UNI-C

Figure 17 shows a functional representation of an ETH UNI-C on the Subscriber CE interconnected to an ETH UNI-N on the CEN A PE. In this example the UNI-C shows a number of S-ECs, (S-EC C1, S-EC C2 and S-EC C3) instantiated via their associated EETFs. Service Frames across the UNI Link associated with these S-ECs are conditioned for transmission/reception across the ETH Link according to the contracted SLS by the EFAF (Subscriber) and EPCF (Network Operator). The Subscriber UNI-C is configured to enable service multiplexing. One EVC corresponds to S-EC C1 and S-EC C2 (e.g., bundling) and another EVC corresponds to S-EC C3. The UNI-N shows two O-ECs, O-EC A1AX and O-EC A2AY, instantiated via their associated EETF in support of the requested EVCs.

**9.2 ETH ENNI**

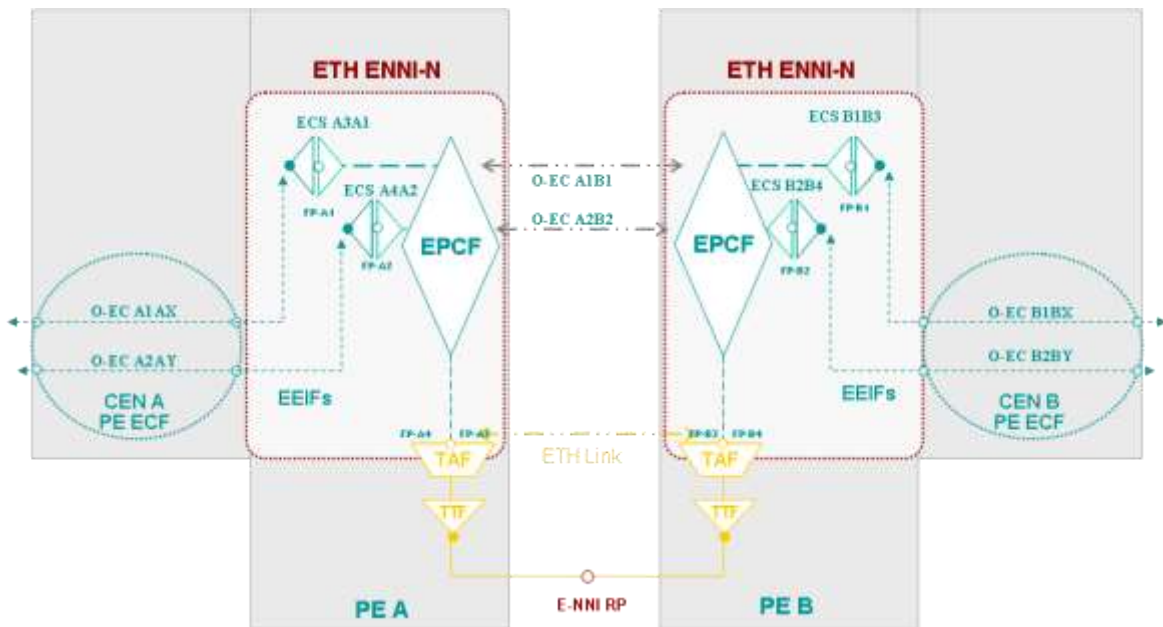
The ETH ENNI is the interface specified as the demarcation point between the responsibilities (and associated processing functions) of two interconnected CENs. The functional element that represents the set of CEN functions is referred to as the ENNI-N. From MEF 4, there can only be a 1:1 relationship between two CENs at an ETH Link of an ENNI.

An ETH ENNI-N consists of the following functions:

- A TAF instantiates the ETH Link toward the partner CEN
- an ETH Provider Conditioning Function (EPCF) at the ENNI-N end of the ETH Link
- one ETH EEIF for each Operator EC traversing the ENNI

The EPCF represents the set of processing functions responsible for all traffic classification and conditioning actions across the ENNI. The EEIF represent the set of processing functions responsible for interconnecting the Operator EC across the ENNI with the corresponding Operator EC across the CEN. These O-ECs need not belong to the same Ethernet switching technologies, see Section 8.8.

Figure 18 shows a functional representation of interconnected ETH ENNI-Ns between two CENs. In this example, the ENNI-Ns on CEN A and CEN B show two Link ECs (O-EC A1B1 and O-EC A2B2) exchanged over the ENNI ETH Link. ENNI Frames across the ETH Link associated with these O-ECs are mapped to their corresponding O-EC within each CEN by the EEIF and conditioned for transmission/reception according to the contracted SLS by the EPAF.



**Figure 18: Functional representation of an ETH ENNI-N**

## 10. ETH Layer Interface Extensions and Their Functional Elements

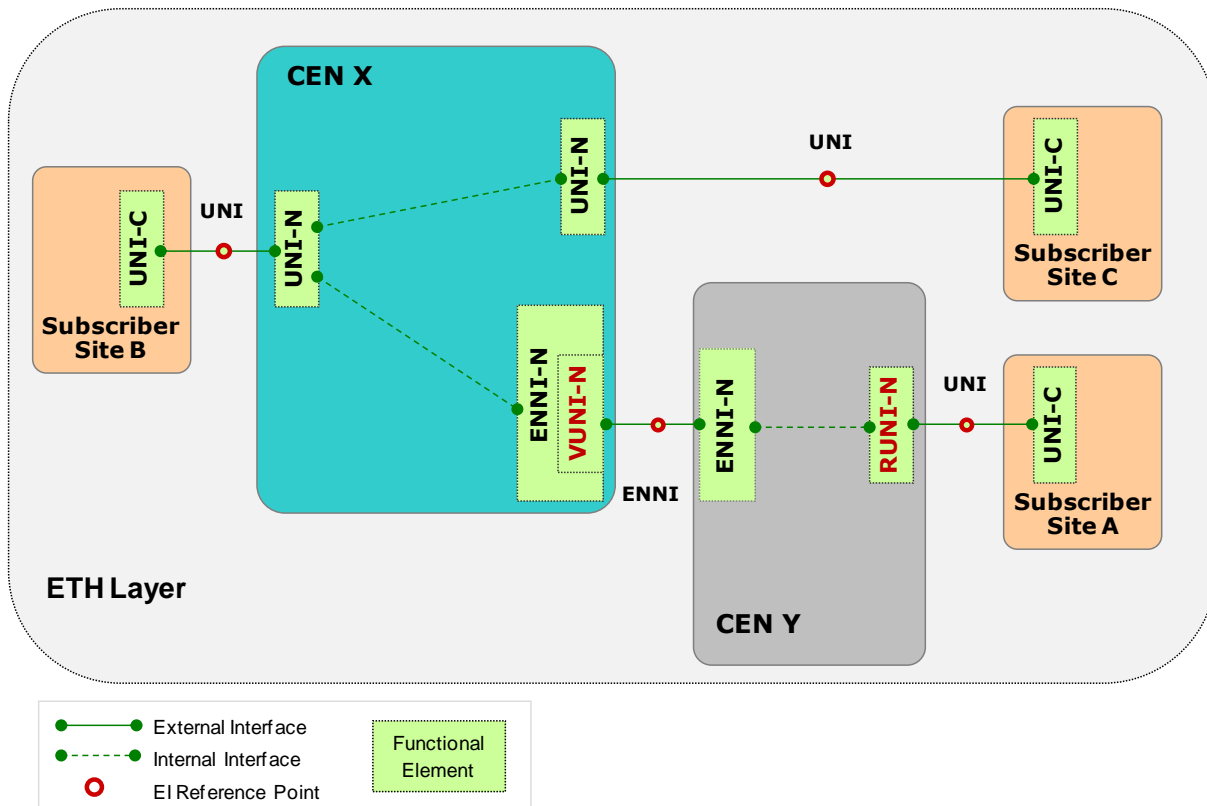
This section introduces other ETH Layer external interfaces intended to extend the means to interconnect Ethernet Service Providers and Ethernet Network Operators to deliver Ethernet-based services to Subscribers and other CENs. The ETH Layer interface extensions covered in this section are<sup>16</sup>:

- the ETH Virtual UNI
- the ETH Remote UNI
- the ETH NID UNI (NUNI)
- the ETH Tunnel Attachment Process (TAP)

The sections below further describe the interfaces and functional elements associated with the extended UNI and ENNI functions in support of the UTA and NID based services.

### 10.1 The Virtual UNI (VUNI) and Remote UNI

The VUNI is the ETH Layer “virtual” interface at a Service Provider ENNI that provides the demarcation point between the responsibilities (and associated processing functions) of a VUNI Operator and a Subscriber when a MEF service is delivered to the Subscriber via a UNI Tunnel Access (UTA) service through an intermediate Access Provider. The VUNI provides the reference point for a) the OVC End Points associated with the Service Provider OVC(s) and b) the UTA End Point for the UTA OVC conveying the Subscriber frames across the ENNI. The VUNI reference point coincides with the ENNI reference point. The remote UNI is the ETH Layer “virtual” interface that provides the demarcation point for the responsibilities of a) the Access Provider to the Subscriber and b) to the Service Provider with respect to the UTA service. The remote UNI provides the reference point for the UTA OVC in the Access Provider network.



<sup>16</sup> For simplicity the prefix ETH is dropped from the name of a Functional Element whenever the Network Layer context is unambiguous from the text.

**Figure 19: Reference model of the ETH Layer VUNI and RUNI**

Figure 19 illustrates the ETH Layer reference model for the VUNI and RUNI. The figure corresponds to an E-LINE service interconnecting the Subscriber Sites A, B and C. Subscriber Site A is interconnected to CEN X, the Network Operator acting as the Service Provider, via an UTA service between its UNI and the Service Provider ENNI. CEN Y, the Access Provider, creates an OVC and associated Tunnel EC to exchange Service Frames between Subscriber Site A and CEN X, the VUNI Provider. The functional element representing the processing functions required to instantiate the interface between Subscriber Site A and the intermediate Access Provider (CEN Y) is referred to as the Remote UNI-N (RUNI-N). The functional element representing the processing entities required to implement the VUNI is referred to as the VUNI-N. The Tunnel EC between the RUNI-N and the VUNI-N is referred to as an UTA SP-EC.

**[R22]** There **MUST** be a one-to-one relationship between an RUNI-N and its associated VUNI-N.

Note that the presence of a VUNI-N on a Service Provider ENNI-N does not require additional processing functionality on the peer ENNI-N of the intermediate Network Operator(s).

A UTA Service instance implies the presence of two or more SP-EC instances:

- one Point-to-point SP-EC instance consisting of the O-ECs associated with the SLS between the Service Provider and the intermediate Network Operator (the UTA SP-EC), and
- one or more SP-ECs instances, bounded at one end by the VUNI Provider network and the other end by Remote UNI Access Provider, and each of them consisting of the O-ECs associated with a given EVC in the SLS between the Service Provider and the Subscriber.

From a topological viewpoint a UTA SP-EC consists of:

- one point-to-point O-EC for each traversed Network Operator, and
- one Link EC to interconnect the O-ECs across each pair of peered ENNI-Ns, including the Link EC attaching to the VUNI-N.

Similarly, the SP-EC(s) associated with the Subscriber service(s) consists of at least:

- one Point-to-point, Multipoint or Rooted-Multipoint O-EC for each traversed partner CEN behind the VUNI-N, and
- one Link EC to interconnect the O-ECs across each pair of peered ENNI-Ns across these partner CENs.

Figure 20 shows a UTA SP-EC (UTA SP-EC X8Y5) traversing CEN Y and interconnecting CEN X (the Service Provider) with Subscriber A - Site 1. There are two EVCs (hence, two SP-ECs) associated with the UNI for Subscriber A - Site 1: one Point-to-point EVC/SP-EC to the UNI for Subscriber A - Site 2, and another Point-to-point EVC/SP-EC to the UNI for Subscriber A - Site 3. Figure 20 also shows another UTA SP-EC (UTA SP-EC X7Z2) traversing CEN Z and CEN Y and interconnecting CEN X with the UNI for Subscriber B - Site 1. There is a single EVC/SP-EC associate with the UNI at Subscriber B - Site 1, leading to the UNI for Subscriber B - Site 2. This topological model generalizes to larger number of intermediate CENs traversed either by the UTA SP-EC or the SP-ECs associated with the EVCs.

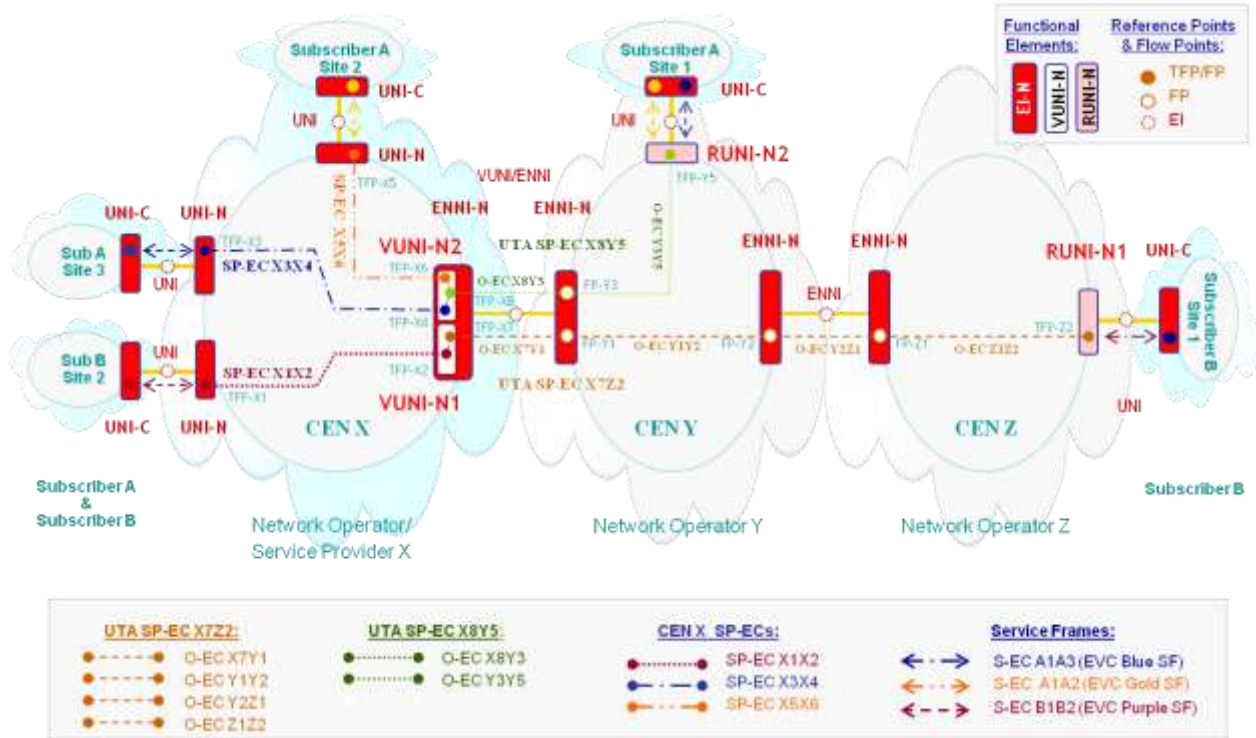


Figure 20: Topological representation of UTA SP-ECs via VUNI-Ns and RUNI-Ns

10.1.1 The Remote UNI-N

The main role of a Remote UNI-N (RUNI-N) is to associate a Subscriber UNI-C with a UTA SP-EC in the intermediate Network Operator.

The RUNI-N functional element consists of the following processing functions:

- a TRAN Termination function (TTF), and associated Adaptation Function (TAF), instantiating the UNI ETH Link towards the UNI-C,
- an ETH Subscriber Conditioning Function (ESCF) at the RUNI-N end of the UNI ETH Link handling the Service Frames according to the contracted SLS between the Service Provider and the intermediate Network Operator for the UTA SP-EC, and
- an ETH EC Termination Function (EETF), and associated Adaptation Function (EEAF), instantiating the UTA SP-EC connecting the RUNI-N to the ENNI-N leading to the VUNI Operator.

Note that the RUNI-N implements a specific profile of the UNI-N as defined in Section 9.1 adapted to instantiate a UTA SP-EC to interconnect the RUNI-N with the VUNI-N/ENNI-N.

10.1.2 The Virtual UNI-N

The main roles of a Virtual UNI-N (VUNI-N) are to i) instantiate the UTA SP-EC across the ENNI leading to the RUNI-N, and to ii) instantiate one or more Operator ECs within the VUNI Provider domain to deliver the Subscriber service to the target UNIs.

A VUNI-N consists of the following processing functions:

- an ETH EC Termination Function (EETF), and associated Adaptation Function (EEAF) instantiating the UTA SP-EC connecting to the RUNI-N,
- an ETH Subscriber Conditioning Function (ESCF) to condition the ETH PDUs exchanged between the ETH VUNI-N and the RUNI-N, and

- an ETH EC Termination Function (EETF), and associated Adaptation Function (EEAF), for each Operator EC associated with an EVC as per the SLS between the Service Provider and the Subscriber.

Figure 21 illustrates a functional representation of an ENNI-N with an adjunct VUNI-N based on the scenario described by the topological representation in Figure 20. As before, CEN Y refers to the intermediate Network Operator/Access Provider and CEN X refers to the VUNI Provider. NE Y at CEN Y implements a conventional ENNI-N function as per Section 9.2. It instantiates O-EC Y3Y5 and O-EC X7Y3 associated with the UTA SP-EC as well as any other O-ECs traversing the ENNI-N, such as O-EC X9Y4 and O-EC X7Y3. NE X at CEN X, in addition to the ENNI-N functions in support of conventional O-ECs, such as O-EC X10X9 and O-EC X9Y4, also implements the adjunct VUNI-N functions in support of the UTA SP-EC. They include the functions required to instantiate the O-EC X7Y3 for the UTA SP-EC, and the O-ECs associated with the SP-ECs for the various EVC service instances, i.e., O-EC X3X4 and O-EC X5X6.

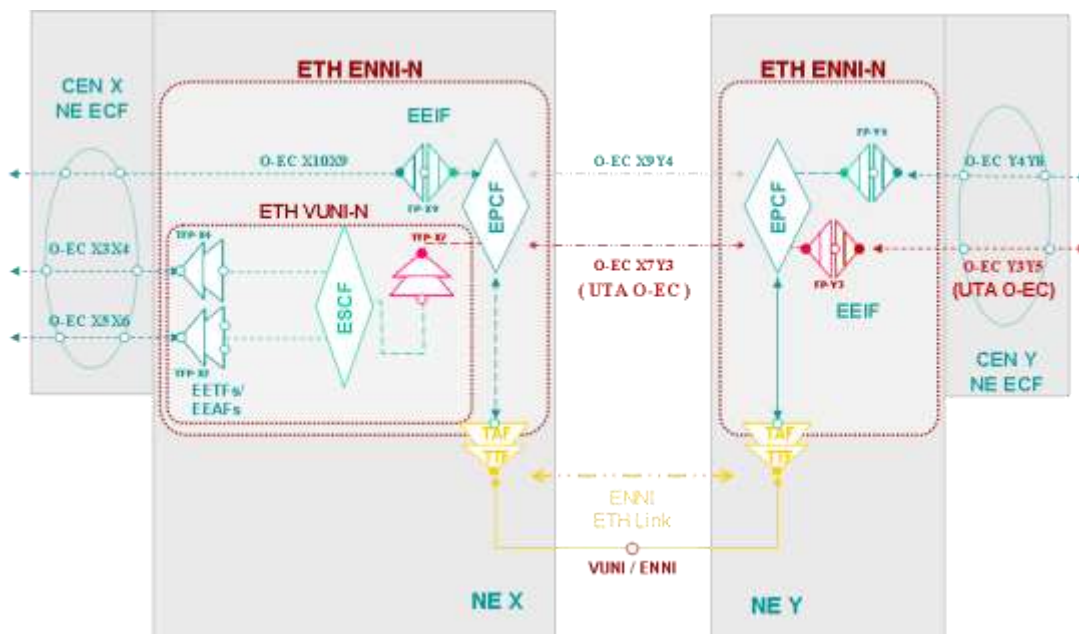


Figure 21: Functional representation of an ENNI-N with an adjunct VUNI-N

## 10.2 The NID Models and Associated Interfaces

The term Network Interface Device (NID) is used in this document to refer to a wide class of compound functional elements intended to connect a Subscriber site to a CEN. A NID might be implemented as a large node supporting multiple UNI and INNI ports. Another common realization of a NID is as a two-port device. The reference point for the NID interface facing the Subscriber UNI, referred to as the NID UNI (NUNI), coincides with the reference point for the MEF UNI. The functional element on the NID associated with the NUNI is referred to as the NUNI-N. In some implementations a NUNI-N could be realized as an UNI-N as described in Section 9.1 but other realizations are also possible. Specification of an implementation agreement for a NUNI-N is outside the scope of this document. The reference point for the NID interface toward the Operator MEN/CEN is an INNI as per Section 6.4.3. Specification of an implementation agreement for a NID INNI-N is also outside the scope of this document.

**A physical realization of a NID as a network element can consist of multiple independent INNI/UNI logical entities. It can also contain separate functional entities associated with the NID management functions. The management connection needed to interconnect a NID's management functions to a centralized Management Entity, if present, in the Network Operator is referred to in this document as the NID Management EC (MGT EC). Other NID management functions and connections could exist depending on the NID implementation.**

**Management Entities are not considered functional elements in the ETH Layer.**

As noted, multiple NID types could be envisioned according to different service interconnect models and business relationships among the Network Operators participating in the Subscriber Service, the Service Provider and the Subscriber. In some instances the NUNI-N can be a standard UNI-N as specified in MEF 13/MEF 20. In other instances, the standard UNI functions realizing the Service Attributes specified in MEF 10.3 and MEF 26.1 could be distributed across External Interfaces and the NUNI-N can only include a subset of the UNI-N functions. Similar considerations apply to a realization of a NID NNI.

The reference models for a Service Provide T-NID and S-NID are illustrated in Figure 22. Topological and functional representation of the functional elements and ECs associated with these NID types are described in the next sections. Other variations of the NID concept can be defined. Implementation Agreements for NIDs and Technical Specification of NID based services is outside the scope of this document. The section below discusses a number of NID types.

### 10.2.1 The Transport NID

A Transport NID (T-NID) represents a type of NID providing transport-level demarcation functions between a CEN and a Subscriber. A Transport NID is primarily intended as an ETH/TRAN Layer demarcation entity with very limited ETH Layer demarcation capabilities other than those required for operational visibility into the Network Operator/Subscriber ETH Link. In particular, a T-NID is not intended to provide demarcation for individual EVCs. The reference model for a T-NID is illustrated at the bottom of Figure 22.

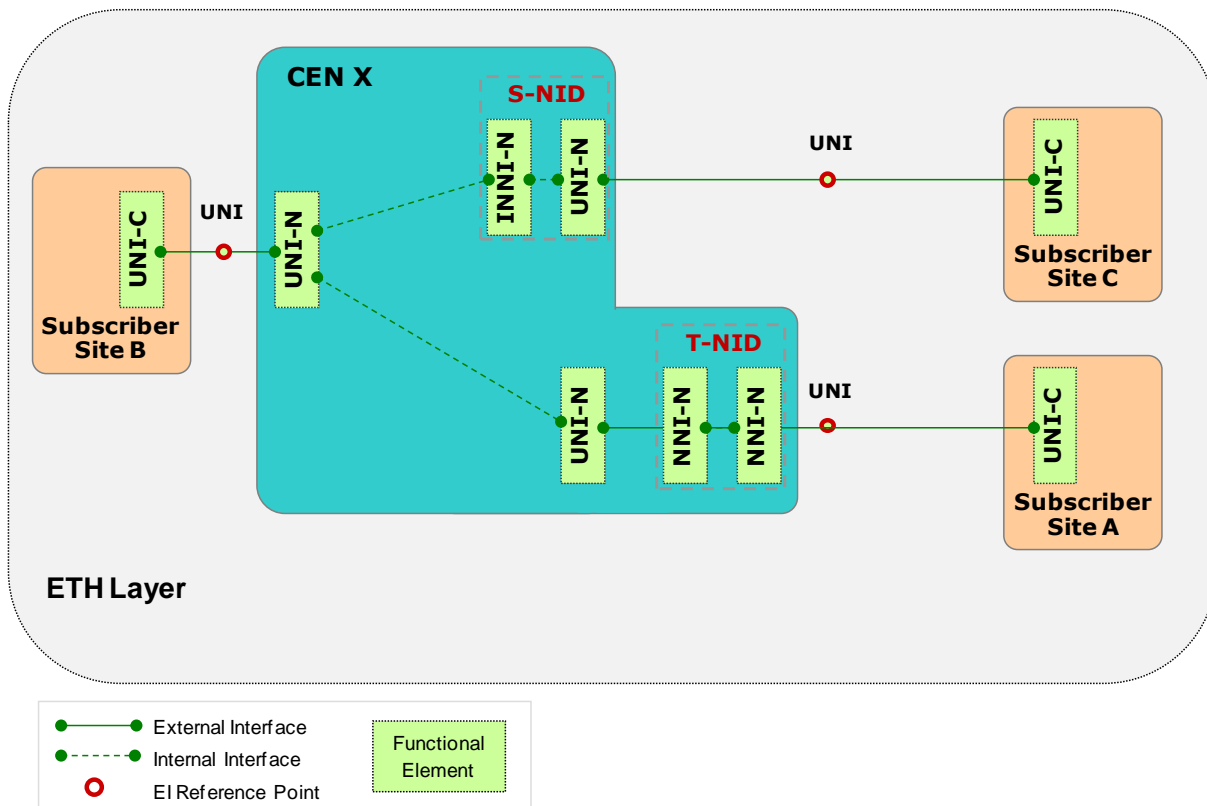


Figure 22: Reference model for a Transport NID (T-NID) and Service NID (S-NID)

It is envisioned that a T-NID would commonly provide media conversion functions between the Subscriber’s UNI-C and the Network Operator’s UNI-N. For instance, a T-NID could provide media conversion from an IEEE 802.3 100Base-T interface on the UNI to an Ethernet over PDH interface on the NNI. Implementation Agreements for T-NIDs and Technical Specifications for T-NID based services are outside the scope of this document.



Figure 23 illustrates a topological representation of a CEN with a T-NID acting as a media convertor. In this example a T-NID is used to interconnect Subscriber Site A and CEN X and, from there, to Subscriber Site B and Subscriber Site C. There are two ETH Links associated with the T-NID in this scenario: i) the UNI ETH Link at the NUNI connecting to Subscriber Site A, and ii) the NNI ETH Link connecting the NID to other NEs in CEN X. The Subscriber ECSs (namely, S-ECS X5A1 and S-ECS X6A2) are forwarded through an ETH PDU relay function in the T-NID. Yet, these S-ECSs are not relevant to the NUNI-N or its NNI-N processing functions. There is no ETH Layer functionality on the T-NID other than that required to adapt the Subscriber PDUs from the physical media of the UNI to the physical media of the NNI. This is represented by the absence of FPs in the NUNI-N and NNI-N associated with the individual Subscriber ECs<sup>17</sup>. All other EVC demarcation functions are provided at the logical UNI-N function inside CEN X, as represented by the TFP(s) on the NNI-N associated with the SP-ECs for the Subscriber EVCs (SP-EC X7X5 and SP-EC X8X6). Note the separate O-EC, the MGT EC, used to convey the NID management connections across the NNI.

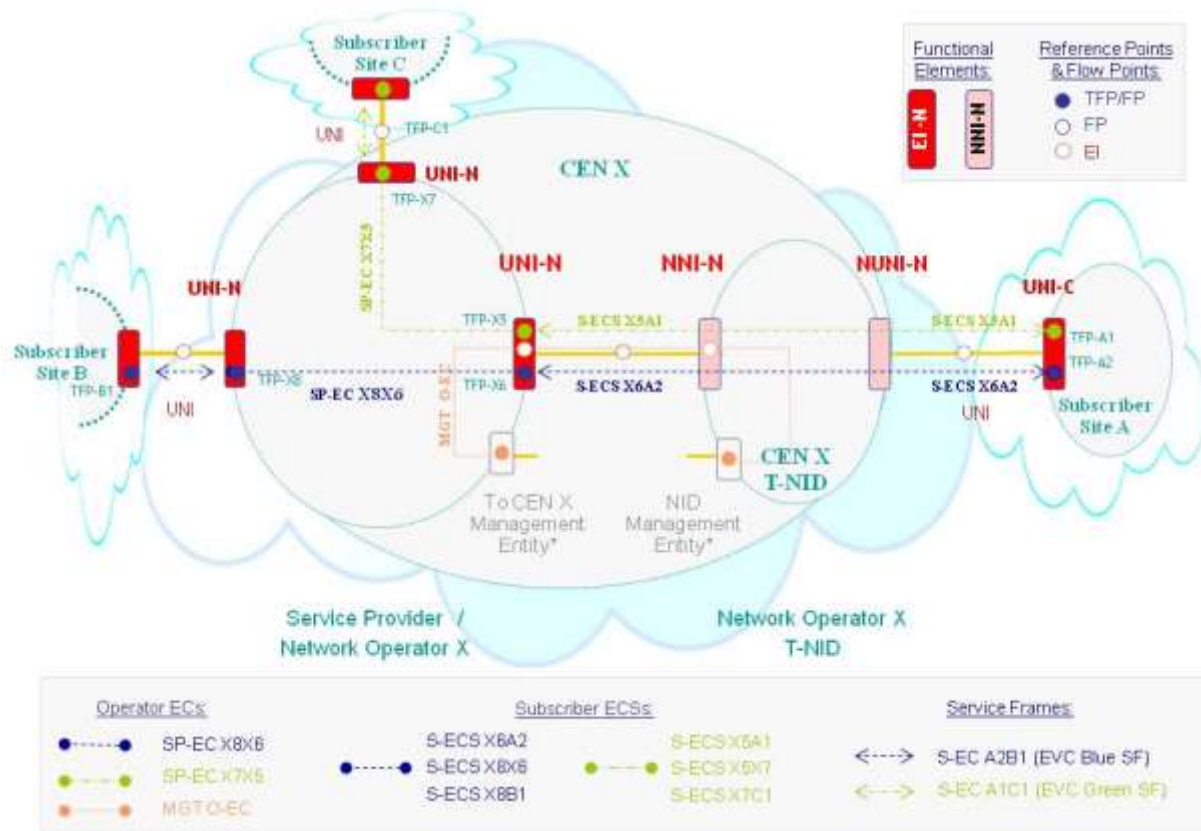


Figure 23: Topological representation of ETH Layer services via a Transport NID

### 10.2.2 The Service NID

A Service NID (S-NID) represents a type of NID providing service-level demarcation functions between a Service Provider and a Subscriber. A Service NID can provide similar transport level demarcation capabilities as a T-NID. In addition, a Service NID is also intended to provide service-level demarcation capabilities for individual EVCs. The reference models for a Service Provider S-NID are illustrated in Figure 22.

<sup>17</sup> Formally, there would be a single FPP associated with the bundle of S-ECSs across the NUNI-N and NNI-N.

Some S-NID types could offer a complete set of UNI-N capabilities at its NUNI-N as specified in MEF 13/MEF 20. Other S-NID types could just provide a subset of UNI-N capabilities, with the rest of the UNI-N capabilities being provided by some other NNI-N. This type of configuration is also referred here as a partial UNI-N implementation. Implementation Agreements for S-NIDs and Technical Specifications for S-NID based services are outside the scope of this document.

Figure 24 illustrates a topological representation of a CEN with an S-NID offering a partial UNI-N based on the same service scenario used for the T-NID example in Figure 23. The S-NID is used instead to interconnect Subscriber Site A to CEN X and, from there, to Subscriber Site B and Subscriber Site C. Two Subscriber ECSs traversing the UNI ETH Link connecting Subscriber Site A with CEN X (namely, S-ECS X5A1 and S-ECS X6A2). Here, the S-NID provides the ETH Layer functions required to demark, manage and monitor the Subscriber EC segments associated with the EVCs, as illustrated by the FPs for S-ECS X3X1/S-ECS X5X3 and S-ECS X4X2/S-ECS X6X4 on the NUNI-N and NNI-N. Each Subscriber ECS is forwarded as a single service entity through an ETH PDU relay function at the S-NID (S-NID ECF). All other EVC specific service demarcation functions are implemented at a different NNI-N, as illustrated by the TFPs on the NNI-N associated with the SP-ECs for the Subscriber EVCs (SP-EC X7X5 and SP-EC X8X6). Note also the separate MGT EC used to convey the S-NID management connection across the NNI.

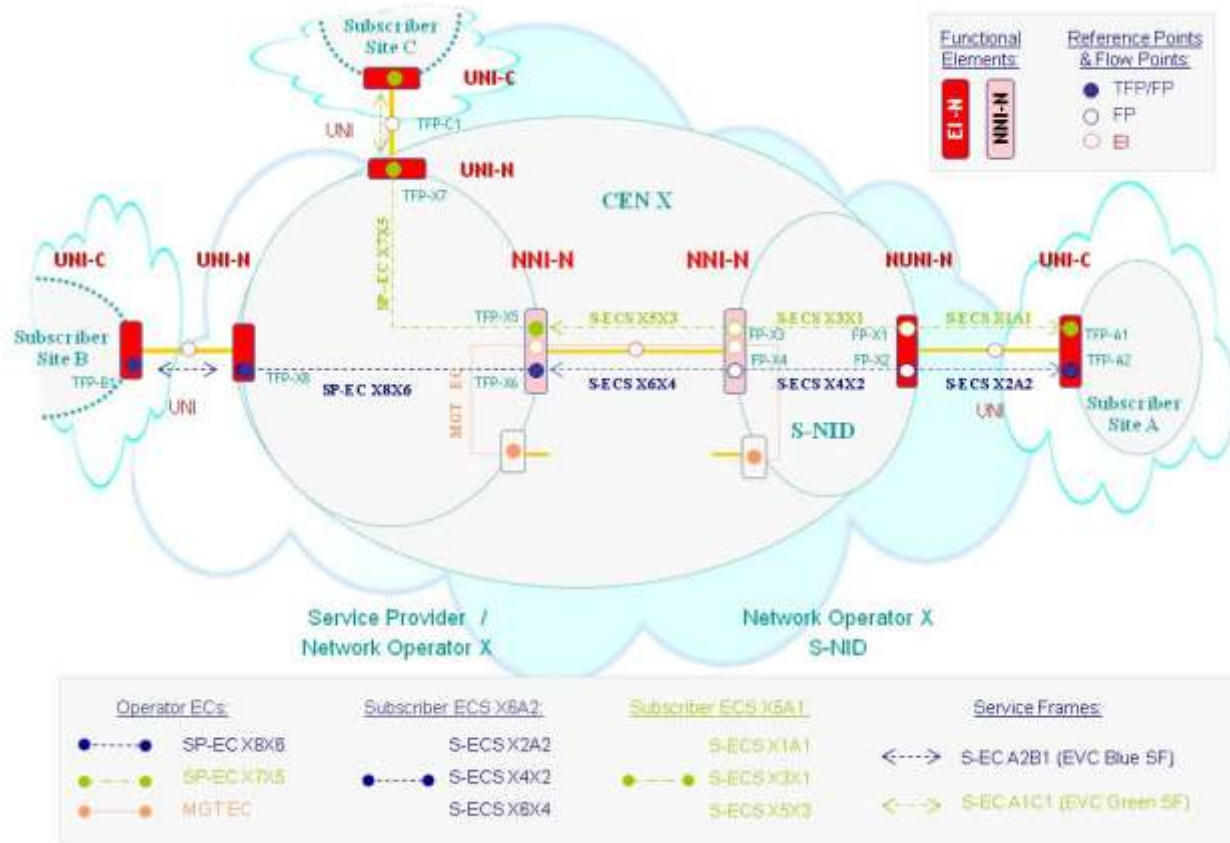
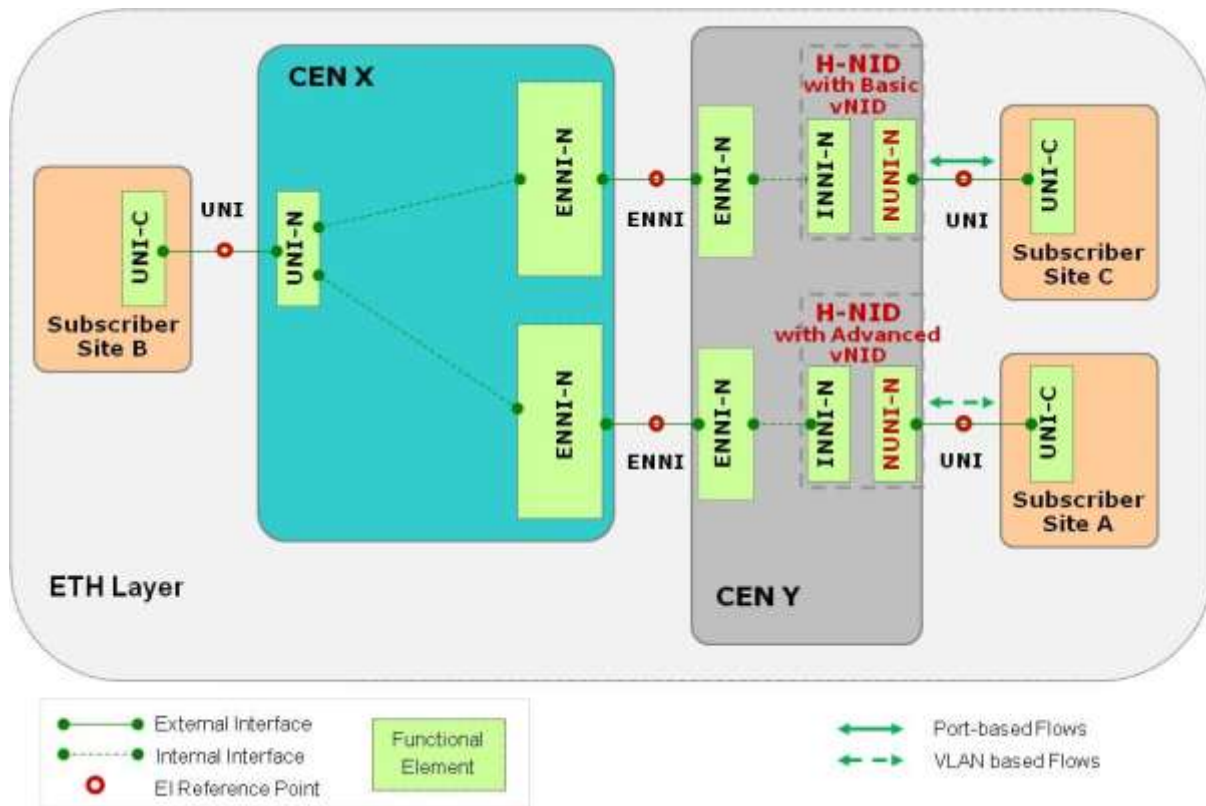


Figure 24: Topological representation of ETH Layer services via an S-NID with a partial UNI-N

### 10.2.3 Hybrid NIDs

The term Hybrid NID (H-NID) is used in this document to refer to a wide class of functional elements that can be used to demark services between a Service Provider, a Subscriber, and an intermediate Network Operator acting as an Access Provider. A Hybrid NID is intended to combine the functionality of a NID for the Service Provider into

the NID for the Access Provider. There are many potential realizations of the Hybrid NID concept. A particular example of an H-NID is a NE implementing an E-Access Service with virtual NID (vNID) functionality, where the vNID functionality is defined as per MEF 43.



**Figure 25: Reference Models for Hybrid NIDs for E-Access Services with vNID Functionality**

Figure 25 provides reference models for H-NID types supporting Ethernet Access services with vNID functionality as specified in MEF 43. The figure illustrates a Service Provider (CEN X) using a H-NID in an Access Provider network (CEN Y) to interconnect to Subscriber Site B. The service instance between the UNI in the Access Provider network and the ENNI between the Service Provider and the Access Provider corresponds to an Ethernet Access Service. The H-NID is said to provide a virtual NID functionality as it is co-managed by the Service Provider and the Access Provider via separate management connections (not depicted). The top of figure 25 applies to H-NIDs modeled after the EPL connectivity model in MEF 26.1/MEF 33.1 and they are referred to as H-NIDs with Basic vNID functionality. The bottom of figure 25 applies to H-NIDs modeled after the EVPL connectivity model in MEF 26.1/MEF 33.1 and they are referred to as H-NIDs with Advanced vNID functionality. Note that these H-NID types do not required additional ETH Layer functionality at the Service Provider / Access Provider ENNI.

A significant operational aspect of the H-NID concept is the ability to offer separate access to the management functions and service attributes under control of the Access Provider and the management functions and service attributes under control of the Service Provider. The processing entity providing access to the management functions is referred to as the Remote Processing Entity (RPE). It might or might not be in the H-NID itself. The connection between the Service Provider processing entity and the Access Provider RPE is referred to as the Remote Management Interface (RMI) Connection. The RMI Protocol is used for communications over the RMI Connection.

The RMI Connection is distinct from the management interface and connection used by the Access Provider to access the H-NID Management Entity responsible for the Access Provider functions. The O-EC conveying the RMI Connection is referred to in this document as the RMI EC while the O-EC conveying the Access Provider manage-

ment connection for the H-NID is referred to as the MGT O-EC. The specification of the implementation of these management connections is outside the scope of this document.

10.2.3.1 H-NID with Basic vNID Functionality

This approach to the H-NID concept is specified according to a Port-based service model as in MEF 26.1. The Service Provider orders an Access EPL service with vNID functionality from the Access Provider to offer a Port-based service or a VUNI based service to the Subscriber. The Access Provider configures the OVC (and provisions the corresponding O-ECs) for the Access EPL service as per MEF 33. Yet, certain configuration, provisioning and maintenance aspects of the NUNI-N are shared between the Access Provider (via its management connection to the NID) and the Service Provider (via the RMI Connection to the RPE).

From a topological viewpoint, an E-Access service using the Basic vNID functionality consists of:

- one point-to-point O-EC for each traversed Network Operator, and
- one Link EC to interconnect the O-ECs across each pair of peered ENNI-Ns.

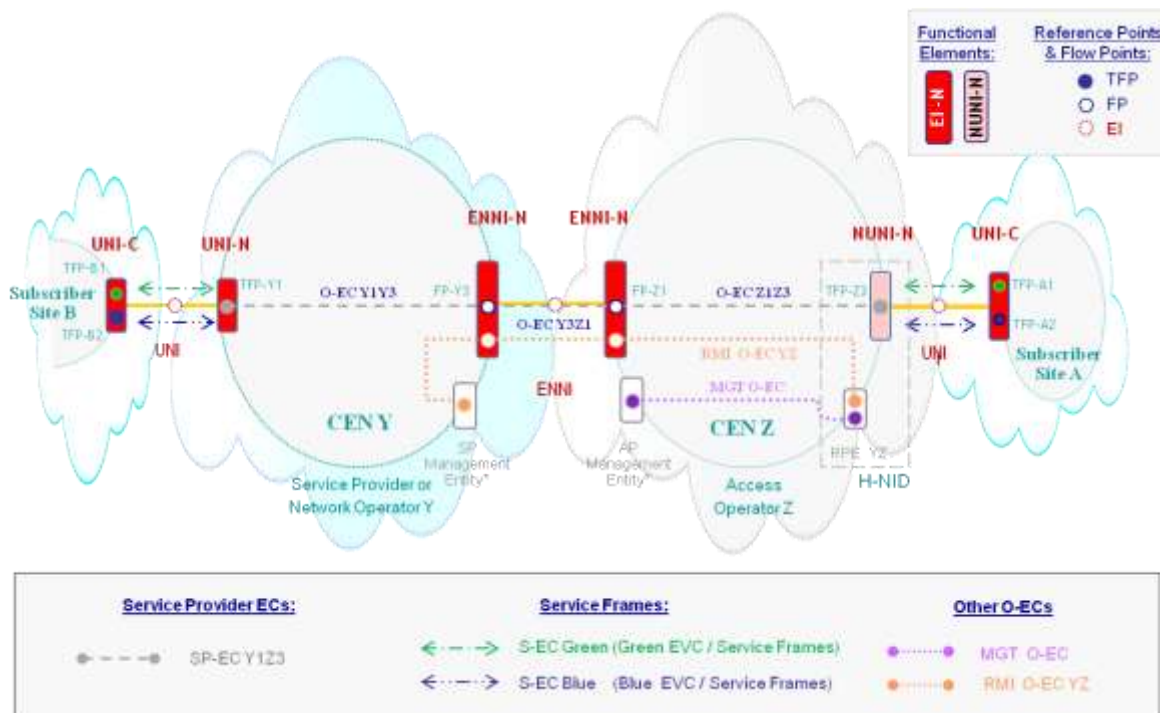


Figure 26: Topological representation of EPL service via an H-NID with Basic vNID functionality when the RPE is assumed present in the H-NID

Figure 26 illustrates a topological representation of an EPL service provided via an Ethernet Access Service with Basic vNID functionality when the RPE is assumed present in the H-NID. CEN Y represents the Service Provider; CEN Z represents the Access Provider. The Subscriber orders a Port-based EVC to exchange service frames (Green and Blue S-ECs) between Sites A & B. A NE with Basic vNID functionality is used by the Access Provider to interconnect the Subscriber Site A to CEN Z. The vNID functionality on CEN Z is managed by the SP via RPE YZ and accessed via the RMI Connection provided through the RMI O-EC YZ. Subscriber ECs conveying service frames at the NUNI-N on CEN Z are mapped to a single Operator EC (O-EC Z1Z3) as specified in MEF 33. The Service Provider maps ENNI Frames associated with the Access Providers O-EC to its Operator EC (O-EC Y1Y3) to instantiate the SP-EC Y1Z3 as per MEF26.1. A separate O-EC, the MGT O-EC on CEN Z is used by the Access Provider to connect the RPE to its Management Entity. Note that the topologically representation for the Access Provider O-

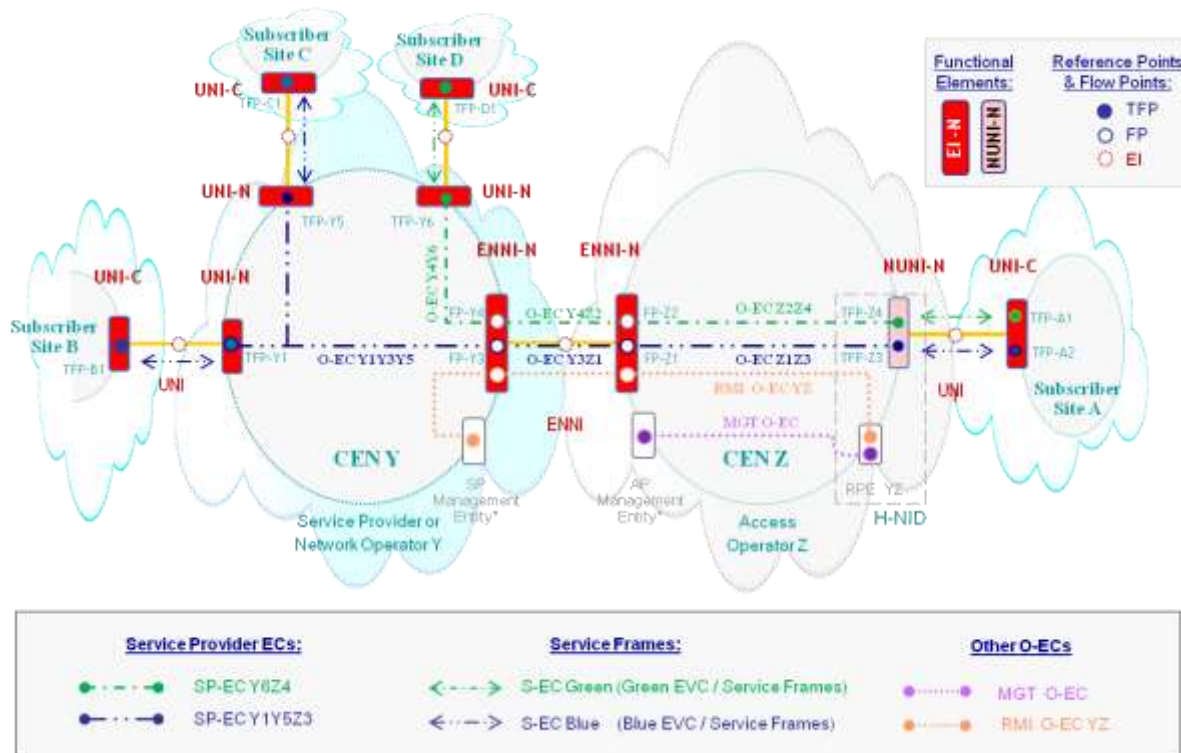
EC is similar to those in Figure 11 (point-to-point O-EC)), Section 7.1.1, except for the presence of the RPE and O-ECs to the Service Provider (RMI Connection) and the Access Provider Management Entities.

### 10.2.3.2 H-NID with Advanced vNID Functionality

This approach to the H-NID concept is specified according to a VLAN-based service model as in MEF 26.1. The Service Provider orders one or more Access EVPL services with vNID functionality from the Access Provider to offer VLAN-based services to the Subscriber. The Access Provider configures the OVC(s) (and provisions the corresponding O-ECs) for *each* Access EVPL instance as per MEF 33. Yet, certain configuration, provisioning and maintenance aspects of the NUNI-N are shared between the Access Provider (via its management connection to the NID) and the Service Provider (via the RMI Connection to the RPE).

From a topological viewpoint, an E-Access service using the Advance vNID functionality consists of:

- one point-to-point O-EC for each traversed Network Operator, and
- one Link EC to interconnect the O-ECs across each pair of peered ENNI-Ns.



**Figure 27: Topological representation of ETH Layer services via an H-NID with Advanced vNID functionality when the RPE is present in the H-NID**

Figure 27 illustrates a topological representation of the service provided via an Ethernet Access Service with Advanced vNID functionality when the RPE is assumed present in the H-NID. CEN Y represents the Service Provider; CEN Z represents the Access Provider. Here the Subscriber orders VLAN-based EVCs to exchange service frames between Sites A & D (O-EC Z2Z4) and between Sites A, B & C (O-EC Z1Z3). A NE with Advanced vNID functionality is used by the Access Provider to interconnect the Subscriber Site A to CEN Z. The vNID functionality on CEN Z is managed by the SP via RPE YZ and accessed via the RMI Connection provided through the RMI O-EC YZ. Subscriber ECs conveying service frames at the NUNI-N on CEN Z are mapped to Operator ECs (O-EC Z1Z3 and O-EC Z2Z4) as per the CE-VLAN-ID to OVC End-Point map rules specified in MEF 33. The Services Provider maps ENNI Frames associated with the Access Providers O-ECs to its Operator ECs (O-EC Y1Y3Y5 and O-EC Y4Y6, respectively) to instantiate the SP-EC Y1Y5Z3 and SP-EC Y6Z4 as per MEF26.1. A separate O-EC, the

MGT O-EC on CEN Z is used by the Access Provider to connect the RPE to its Management Entity. Note that the topological representation for the Access Provider O-EC is similar to those in Figure 11 (point-to-point O-EC) and Figure 12 (multipoint O-EC), Section 7.1.1, except for the presence of the RPE and the O-ECs to the Service Provider (RMI Connection) and Access Provider Management Entities.

#### **10.2.3.2.1 H-NID UNI-N with vNID Functionality**

The H-NID UNI-N represents the functional element implementing service delimiting functions in an H-NID between the Service Provider and the Subscriber. For a H-NID with either the Basic or Advanced vNID functionality, the NUNI-N is expected to conform to the UNI-N functional element model, and interact with a UNI-C, as per Section 9.1. In this scenario, the usage of the virtual NID functionality does not change the service interface presented to the Subscribers to the MEF defined Ethernet Service.

Note that in UNI-N implementations where the RPE associated with the vNID functions can only handle a single UNI the RPE could be deemed as part of the NUNI-N functions.

## 11. References

- [1] IETF RFC 2119, "Key words for use in RFCs to Indicate Requirement Levels." March 1997.
- [2] IEEE Std 802.3™ – 2005, Information technology – Telecommunications and information exchange between systems – Local and metropolitan area networks – Specific requirements – Part 3: Carrier sense multiple access with collision detection (CSMA/CD) access method and physical layer specifications. December 2005.
- [3] IEEE Std 802.1D™ - 2004, IEEE Standard for Local and Metropolitan Area Networks: Media Access Control (MAC) Bridges. June 2004.
- [4] IEEE Std 802.1Q™ - 2011, IEEE Standard for Local and metropolitan area networks — Media Access Control (MAC) Bridges and Virtual Bridge Local Area Networks. 31 August 2011.
- [5] ITU-T Recommendation G.805 "Generic functional architecture of transport networks." March 2002.
- [6] ITU-T Recommendation G.809 "Functional architecture of connectionless layer networks." March 2003.
- [7] ITU-T Recommendation G.8010/Y.1306, "Architecture of Ethernet layer networks." February 2004.
- [8] ITU-T Recommendation G.8021, "Characteristics of Ethernet transport network equipment functional blocks." December 2007.
- [9] ITU-T Recommendation G.7041/Y.1303, "Generic Framing Procedure (GFP)." December 2003.
- [10] ITU-T Recommendation X.86, "Ethernet over LAPS." February 2001.
- [11] ITU-T Recommendation Y.1731, "OAM functions and mechanisms for Ethernet based networks." February 2006.
- [12] ATM Forum, "LAN Emulation over ATM v1.0." January 1995.
- [13] Metro Ethernet Forum, MEF 4, "MEN Architecture Framework – Part 1: Generic Framework." May 2004.
- [14] Metro Ethernet Forum, MEF 6.1, "Ethernet Services Definition, Phase 2." November 2006.
- [15] Metro Ethernet Forum, MEF 6.1.1, "Layer 2 Control Protocol Handling Amendment to MEF 6.1." January 2012.
- [16] Metro Ethernet Forum, MEF 10.3, "Ethernet Services Attributes, Phase 3." October 2013.
- [17] Metro Ethernet Forum, MEF 12, "Metro Ethernet Network Architecture Framework – Part 2: Ethernet Services Layer." April 2005.
- [18] Metro Ethernet Forum, MEF 12.1, "Metro Ethernet Network Architecture Framework – Part 2: Ethernet Services Layer – Base Elements." April 2010.
- [19] Metro Ethernet Forum, MEF 12.1.1, "Carrier Ethernet Network Architecture Framework - Part 2: Ethernet Services Layer - External Interface Extensions." October 2011.
- [20] Metro Ethernet Forum, MEF 13, "User Network Interface (UNI) Type 1." November 2005.
- [21] Metro Ethernet Forum, MEF 17, "Service OAM Requirements and Framework – Phase I." April 2007.
- [22] Metro Ethernet Forum, MEF 20, "User Network Interface (UNI) Type 2." July 2008.
- [23] Metro Ethernet Forum, MEF 23, "Carrier Ethernet Class of Service". June 2009.
- [24] Metro Ethernet Forum, MEF 26.1, "External Network-to-Network Interface (ENNI) – Phase 2." January 2012.
- [25] Metro Ethernet Forum, MEF 28, "External Network-Network Interface (ENNI) Support for UNI Tunnel Access and Virtual UNI." October 2010.
- [26] Metro Ethernet Forum, MEF 30.1, "Service OAM Fault Management Implementation Agreement." April 2013.
- [27] Metro Ethernet Forum, MEF 33, "Ethernet Access Services Definition." January, 2012.
- [28] Metro Ethernet Forum, MEF 43, "Virtual NID (vNID) Functionality for E-Access Services." April 2014.
- [29] IETF RFC 2684, "Multiprotocol Encapsulation over ATM Adaptation Layer." September 1999.
- [30] IETF RFC 4448, "Encapsulation Methods for Transport of Ethernet over MPLS Networks." April 2006.
- [31] IETF RFC 4761, "Virtual Private LAN Service (VPLS) Using BGP for Auto-Discovery and Signaling." January 2007.
- [32] IETF RFC 4762, "Virtual Private LAN Service (VPLS) Using Label Distribution Protocol (LDP) Signaling." January 2007.
- [33] IEEE Std 802-2001, IEEE Standard for Local and Metropolitan Area Networks: Overview and Architecture. February 2002.
- [34] ISO/IEC 8802-2: 1998, Information technology -- Telecommunications and information exchange between systems -- Local and metropolitan area networks -- Specific requirements -- Part 2: Logical link control.

## Appendix I: ETH Layer Model for Service OAM

This appendix provides an ETH Layer functional model for the MEF Service OAM (SOAM) framework as specified in MEF 17 and MEF 30.1. It identifies the relative placement for OAM functional components (MEPs and MIPs) with respect to other functional components of the ETH Layer in order to achieve the SOAM coverage intended by the maintenance domains specified in the MEF SOAM framework. This appendix focuses on the functional model of SOAM entities as applicable to functional elements associated with the UNI, ENNI and the adjunct ENNI functions, the VUNI and TAPs.

The appendix is structured as follows: Section I.1 overviews the SOAM reference model from MEF17, the Ethernet SOAM terminology in IEEE and ITU-T, and modeling conventions used here for the functional representation of the SOAM processing entities. Section I.2 describes the SOAM functional entities in support of the base EI functional elements, i.e., UNI and ENNI. Section I.3 describes the SOAM functional model in support of the extended EI functional elements i.e., remote UNI and VUNI and TAPs.

### I.1 Definitions and Modeling Conventions

The Appendix addresses the SOAM functional elements associated with the UNI and ENNI. The relationship between the MEF Service model and the Architecture constructs are discussed in Section 6.4.3.

#### I.1.1 Mapping between IEEE and ITU OAM Terminology

The MEF SOAM framework is based on the Ethernet OAM models specified by IEEE 802.1Q and ITU-T Y.1731 [11]. There are some differences in terminology between the two documents. Table I.1 provides a mapping between some common terms used in this appendix.

IEEE 802.1Q	ITU-T Y.1731
Maintenance Association (MA)	Maintenance Entity Group (MEG)
Maintenance Association Identifier (MAID)	Maintenance Entity Group Identifier (MEGID)
Maintenance Domain (MD)	“Domain” <sup>18</sup>
Maintenance Domain Level (MDL)	Maintenance Entity Group Level (MEG Level or MEL)

Table I.1: Mapping between IEEE and ITU OAM Terms

#### I.1.2 Representing MEPs and MIPs

ITU-T G.8021 [8] provides a more detailed functional description of the processing entities used by Ethernet Networks, including OAM components. In the ITU-T models, OAM components are typically represented as a combination of AFs and TFs with dedicated OAM related processing. Typically:

- A MEP is represented as an Adaptation Function / Termination Function (AF/TF) pair
- A MIP is represented as “back-to-back” Adaptation Functions.

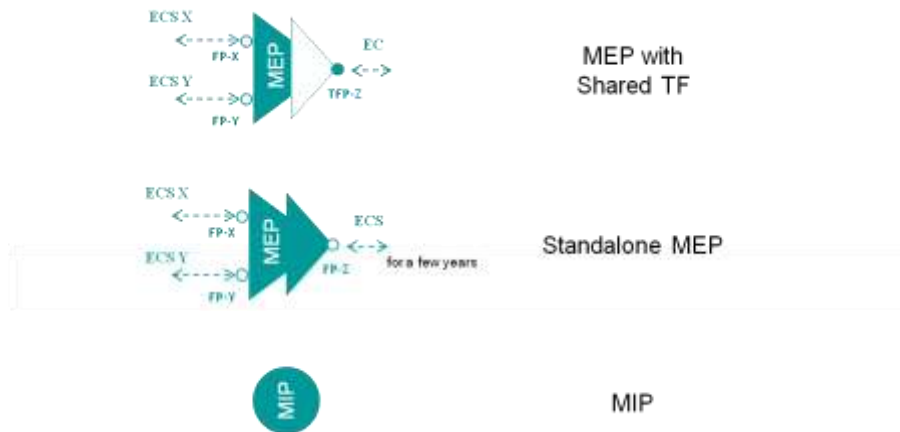
Depending on the placement of the OAM functions with respect to the monitored transport entity and the use of Shared vs. Independent MELs, that is, whether the MEL field in the OAM PDU is shared or not across a number of Ethernet Networks (see ITU-T Y.1731 Sec 6.2), the AF component of the associated transport entity can be reused in the instantiation of MEGs. This Appendix follows a similar convention for the representation of MIPs/MEPs with the following exceptions:

- a “circle” is used as the icon to represent a MIP. This is done to provide a similar representation style as in MEF17,
- a TF/AF pair is used as the icon to represent a MEP,
- a shadowed TF/AF pair is used as the icon to represent a MEP instantiated to monitor a segment of an EC, i.e., an ECS, rather than the end-to-end EC.

<sup>18</sup> Not a formal term used in the OAM functional descriptions.



- These representation conventions for MEPs and MIPs are illustrated in **Error! Reference source not found.1**.



**Figure I. 1: Diagrammatic representation of OAM processing entities in the ETH Layer**

The representation of a MEP is similar to the representation of an EETF/EEAF pair. A MEP with a shared TF usually applies at locations where a ME is needed to monitor an EC. Here the MEP and the EETF/EEAF pair typically share the same TF (i.e., the EETF). A standalone MEP usually applies where an ME is needed to monitor an ECS. There is no EETF to reuse at the mid-span of an ECS (not present there).

## I.2 SOAM Functional Model for the ETH Layer

The representation of the SOAM entities requires visibility of the monitored EVC/OVC, and hence, corresponding ECs, at the relevant EIs. Yet, not all ECs traversing a CEN need be visible by all traversed EIs. As an example, Subscriber ECs conveyed via Tunnel ECs, such as the UTA EC, are not visible to intermediate Network Operators.

The following subsections describe a functional representation of the SOAM model for the ETH Layer. They identify suitable placement for the SOAM processing entities (MEPs and MIPs) with respect to other processing elements that apply to the functional elements such as the UNI-N and ENNI-N.

### I.2.1 SOAM Reference Model for the Base EIs

MEF17 specifies the MEF SOAM framework for both single CEN and multi CEN scenarios. **Figure I.21**, adapted from MEF 17/Figure 5<sup>19</sup>, illustrates the SOAM framework for the base EIs: the UNI and the ENNI. As noted in MEF17, when an EVC or an OVC is provisioned to instantiate an Ethernet Service, a number of MEGs can be expected to be instantiated to enable the fault management and performance monitoring functions associated with the EVC/OVC. In a single CEN scenario, MEG types that could be associated with a Subscriber EC include:

- UNI MEG,
- EVC MEG,
- Subscriber MEG, and
- TEST MEG.

In a multi CEN scenario, three additional MEG types could also be associated with a Subscriber EC include:

- ENNI MEG,
- Operator MEG, and
- SP MEG.

<sup>19</sup> Note that MEF17/Figure 5 refers to Point-to-point MEG. Thus, the use of MEG vs. ME is equivalent.

For services requiring base EI functionality the EVC MEG and SP MEG have the same SOAM coverage and can be used for the same SOAM purposes. The next sections describe placement expectations associated with OAM entities for each of these MEGs at a UNI and ENNI.

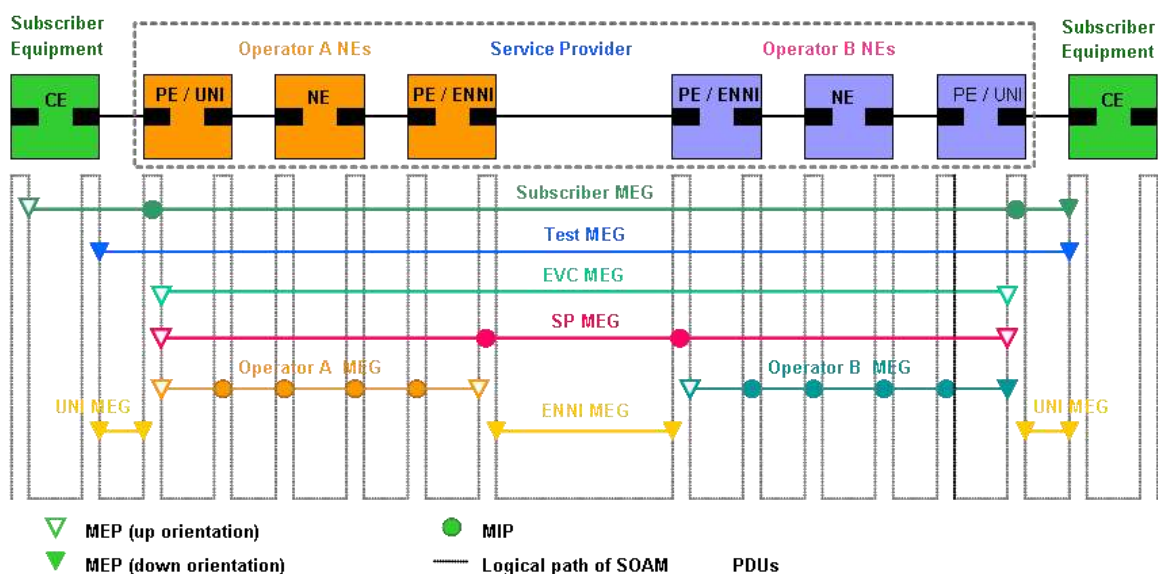


Figure I.2: Example of SOAM Framework for the UNI and ENNI (derived from MEF 30.1, Figure 1)

The sections below describe placement conventions for the MEPs and MIPs for MEGs specified in the MEF17 and MEF30.1 Service OAM framework. Note, however, that all Ethernet networking technologies need not have the capability to support MEP/MIPs at the locations specified by the SOAM framework. In particular, MIPs associated with C-VLANs need not be visible at intermediate External Interfaces, such as ENNI-Ns, if the NE only handles Ethernet frames at ETH Sublayers other than a C-VLAN based sublayer. Specification of SOAM implementation agreements for EIs is outside the scope of this document.

### I.2.1.1 SOAM Entities at a UNI

Figure I. 33 depicts a functional representation of a UNI representation of a UNI, whether in an Access Provider's or Service Provider's network, and the relative placement of the SOAM entities at the UNI-N and UNI-C in order to instantiate SOAM functions for the Subscriber, EVC, Operator and UNI MEGs.

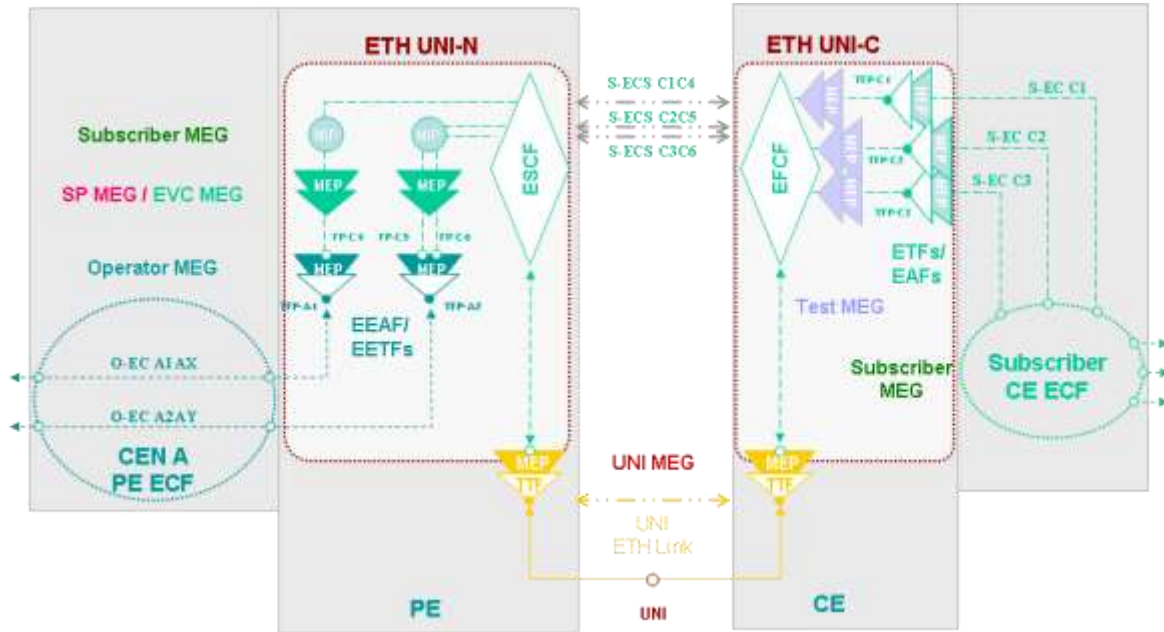


Figure I. 3: Functional representation of MEPs & MIPs at a UNI

### I.2.1.1.1 UNI MEG

The UNI MEG is intended to cover the SOAM requirements for the UNI ETH Link. Specifically, a UNI MEG is intended to monitor a link connection between the PE port in the Network Operator domain and the CE port in the Subscriber domain. A MEP instantiating a UNI MEG is expected to be placed as close as possible to the monitored UNI ETH Link.

### I.2.1.1.2 Subscriber MEG

The Subscriber MEG is intended to cover the SOAM requirements for an EVC from the Subscriber perspective. Specifically, a Subscriber MEG is intended to monitor the Subscriber ECs between a CE port at a UNI-C and a PE port at another UNI-C associated with the same EVC.

Placement of a Subscriber MEP is primarily dictated by the need to associate Service Frames with EVCs across a UNI. A MEP instantiating a Subscriber MEG is expected to be placed as close as possible to the ETF/EAF pair(s) instantiating the Subscriber EC(s) to be monitored.

There could be a MIP associated with the Subscriber MEG at a UNI-N. If present, it is expected to be placed as close as possible to the ESCF responsible for classification, conditioning and mapping of the Subscriber ECs at the UNI-N with the corresponding EVC.

### I.2.1.1.3 EVC MEG

The EVC MEG is intended to cover the SOAM requirements for an EVC from the Service Provider perspective. Specifically, an EVC MEG is intended to monitor the Subscriber ECs across the traversed Network Operator domain(s).

Placement of an EVC MEP is primarily dictated by the need to associate Service Frames with an EVC. A MEP instantiating an EVC MEG is expected to be placed as close as possible to the EETF/EEAF pair instantiating the associated Operator EC<sup>20</sup> for the EVC but outside the domain of the corresponding Operator MEG.

#### **I.2.1.1.4 SP MEG**

The SP MEG is intended to cover the SOAM requirements for Tunnel ECs, if present. Specifically, an SP MEG is intended to monitor bundles of ECs across the traversed Network Operator domain(s).

Placement of an SP MEP is primarily dictated by the need to associate Frames with a Tunnel EC. A MEP instantiating a SP MEG is expected to be placed as close as possible to the EETF/EEAF pair instantiating the associated Tunnel EC. For most retail-based services the SP MEG overlaps in coverage with the EVC MEG, and hence, it need not be present or it shares location with the corresponding EVC MEP (see Figure I.3).

#### **I.2.1.1.5 Operator MEG**

The Operator MEG is intended to cover the SOAM requirements for an Operator EC within a CEN. As an example, an Operator MEG can be used to monitor the Operator EC associated with an OVC or a segment of one or more Subscriber ECs across a Network Operator domain. In a single CEN scenario where the boundaries of the SOAM domain for an EVC and an Operator overlap, the monitoring functions for an EVC can be accomplished via an Operator MEG.

As with EVC MEPs, placement of an Operator MEP at a UNI-N is primarily dictated by the need to associate Service Frames with an OVC. A MEP instantiating an Operator MEG is expected to be placed as close as possible to the EETF/EEAF pair instantiating the corresponding Operator EC.

#### **I.2.1.1.6 Test MEG**

The Test MEG is intended to cover the SOAM and Service Activation Testing requirements for an EVC from a Service Provider perspective. Although Service Provider specific, MEPs associated with the Test MEG are expected to be located on CEs or other points of a CEN where the Subscriber ECs can be readily accessible.

Placement of a Test MEP on a CE is primarily dictated by the need to associate Service Frames with EVCs across a UNI. A MEP instantiating a Test MEG is expected to be placed as close as possible to the ETF/EAF pair(s) instantiating the Subscriber EC(s) to be monitored.

### **I.2.1.2 SOAM Entities at an ENNI**

Figure I.4 below depicts a functional representation of an ENNI and the relative placement of SOAM entities at an ENNI-N in order to instantiate SOAM functions for EVC, Operator and ENNI MEGs.

---

<sup>20</sup> Note that an Operator EC may not always be present in a particular Operator CEN. This may be the case, for instance, in small aggregation MENs interconnected via a larger backbone CEN.

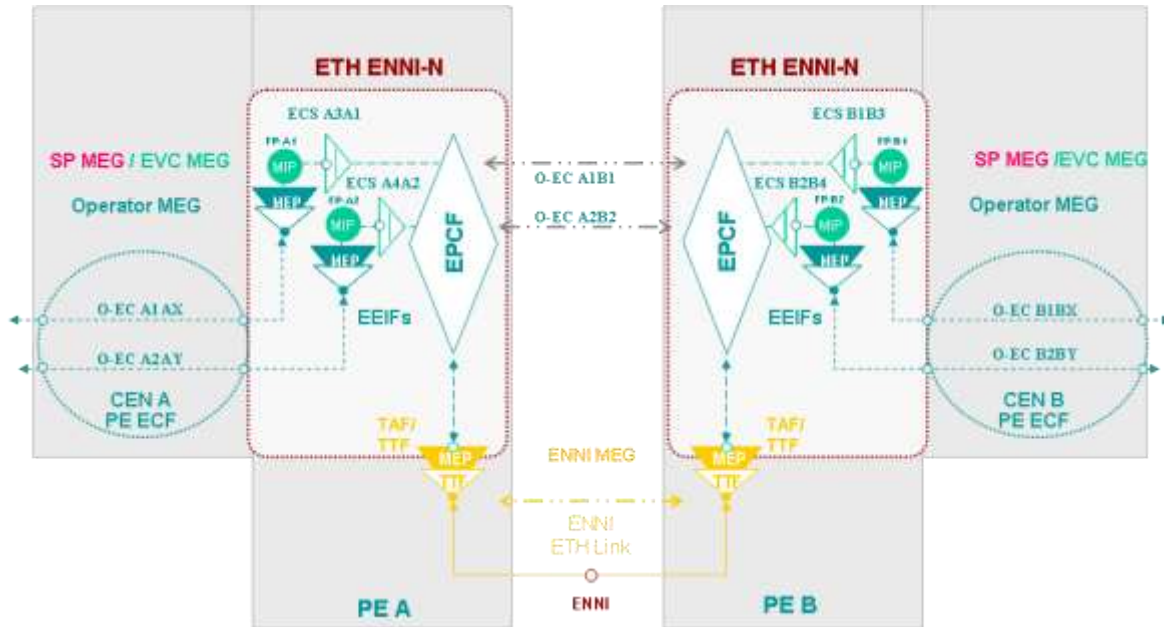


Figure I.4: Functional representation of MEPs & MIPs at an ENNI

#### I.2.1.2.1 ENNI MEG

The ENNI MEG is intended to cover the SOAM requirements for the ENNI ETH Link. Specifically, an ENNI MEG is intended to monitor a link connection connecting the PE ports of two CEN domains. A MEP instantiating an ENNI MEG is expected to be placed as close as possible to the monitored ENNI ETH Link.

#### I.2.1.2.2 Operator MEG

The Operator MEG is intended to cover the S requirements for Operator ECs within a CEN. As an example, an Operator MEG can be used to monitor the Operator EC associated with an OVC or a segment of one or more Subscriber ECs across the Network Operator domain.

Placement of an Operator MEP at an ENNI-N is primarily dictated by the need to associate ENNI Frames with an Operator EC. A MEP instantiating an Operator MEG at a base ENNI-N is expected to be placed as close as possible to the EETF/EEAF pair instantiating the corresponding Operator EC.

#### I.2.1.2.3 EVC MEG

The EVC MEG is intended to cover the SOAM requirements for EVCs from a Network Operator perspective. In certain scenarios a Service Provider could wish to allow other Network Operators to monitor a segment of an EVC at an ENNI. Such a capability can be accomplished via a MIP for the EVC MEG at the target ENNI-N.

Placement of an EVC MIP at an ENNI-N is primarily dictated by the need to associate ENNI Frames with EVCs and the corresponding Operator EC. A MIP associated with an EVC MEG is expected to be placed as close as possible to the EPCF responsible for classification, conditioning and mapping between Link ECs (e.g., S-Tagged frames) at the ENNI-N and the corresponding Operator EC.

Note, however, that all Ethernet networking technologies need not have the capability to support EVC MIPs at an ENNI-N. In particular, MIPs associated with C-VLANs need not be visible at ENNI-Ns, if the NE only handles Ethernet frames at ETH Sublayers other than a C-VLAN based sublayer. Specification of SOAM implementation agreements for EIs is outside the scope of this document.

**I.2.1.2.3 SP MEG**

The SP MEG is intended to cover the SOAM requirements for Tunnel ECs, if present. In certain scenarios a Service Provider could wish to allow other Network Operators to monitor a segment of Tunnel EC at an ENNI. Such a capability can be accomplished via a MIP at the target ENNI-N.

Placement of an SP MIP at an ENNI-N is primarily dictated by the need to associate ENNI Frames with a Tunnel EC. A MIP associated with a SP MEG at a base ENNI-N is expected to be placed as close as possible to the TF/AF pair instantiating the corresponding Link EC (e.g., S-Tagged frames) across the E-NNI. If present, the SP EC MIP can share location with the corresponding EVC MIP (see Figure I.4) assuming both MEGs are instantiated at the same ETH Sublayer. In that case, the SP MEG should use a lower MEL than the EVC MEG.

**I.2.2 SOAM Reference Model for the EI Extensions**

MEF 30.1 specifies the Service OAM Fault management Implementation Agreement applicable to EI extensions for the remote UNI and VUNI. Figure I.5, adapted from MEF 30.1/Figure 5<sup>21</sup>, illustrates the SOAM framework as applicable to the UTA Service in MEF 28. As noted in MEF 28, when a tunnel based OVC service, such as a UTA OVC, is provisioned to instantiate an Ethernet Service across two or more Network Operators, a number of SOAM MEGs are also expected to be instantiated to enable the fault management and performance monitoring functions associated with the end-points of the OVC. The SOAM MEG associated with such a Tunnel EC is referred to as a Service Provider MEG (SP MEG). A similar SP MEG arises when monitoring O-ECs supporting Hybrid-NID based services.

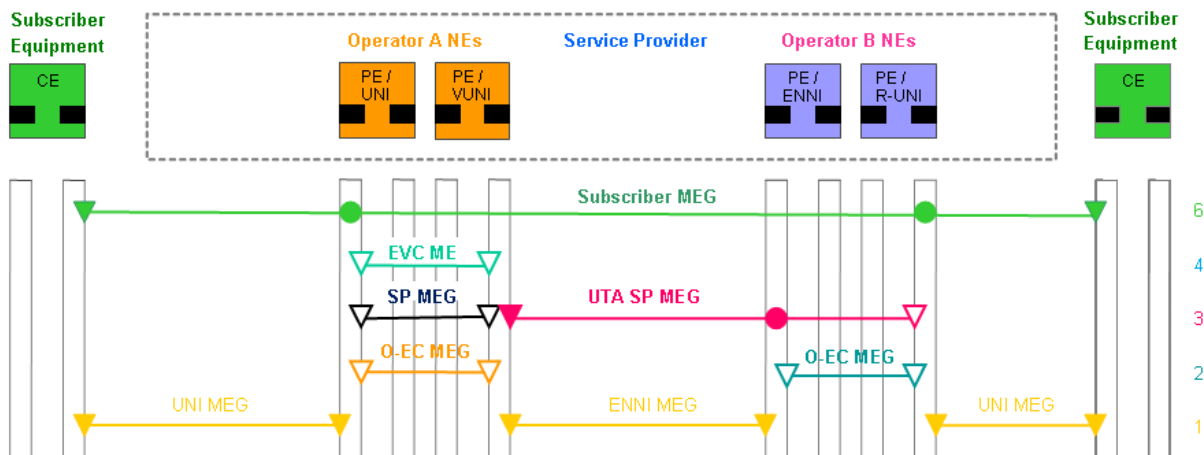


Figure I.5: Example of SOAM Framework applied a UTA Service (adapted from MEF 30.1, Figure 5)

The next sections describe placement expectations for the SOAM entities associated with the MEGs at an RUNI-N and VUNI-N.

**I.2.2.1 SOAM Components at the RUNI-N**

Figure I.6 depicts a functional representation of an RUNI-N and the relative placement of SOAM entities in support of a UTA OVC. Note that support of a UTA OVC does not require any additional SOAM functionality at the associated UNI-C. Yet, a significant distinction between the RUNI-N and the base UNI-N is the presence of MEPs associated with the SP-EC for the UTA EC instead of EVC MEPs as the RUNI-N is not aware of subscriber EVCs.

<sup>21</sup> Note that MEF17/Figure 5 refers to Point-to-point MEG. Thus, the use of MEG vs. ME is equivalent.

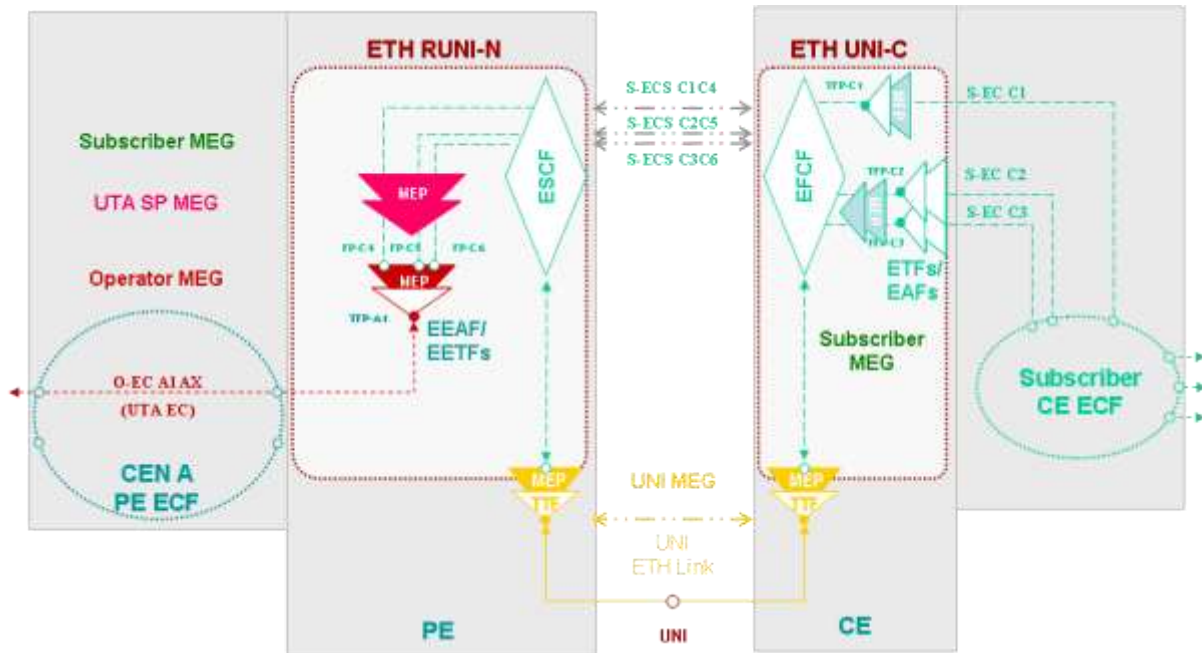


Figure I.6: Functional representation of MEPs & MIPs at an RUNI-N

### I.2.2.1.1 Subscriber MEG

The Subscriber MEG is intended to cover the SOAM requirements for an EVC from the Subscriber perspective. Specifically, a Subscriber MEG is intended to monitor the Subscriber ECs between a port at a UNI-C and a port on another UNI-C associated with the same EVC.

Unlike the UNI-N, no MIPs associated with the Subscriber MEG(s) are expected at the RUNI-N in support of the UTA OVC as the RUNI-N is not intended to be EVC aware. Instead, any MIPs associated with a Subscriber MEG are expected to be placed at the VUNI-N (see Section I.2.2.2.3).

### I.2.2.1.2 UNI MEG

The UNI MEG covers the SOAM requirements for the UNI ETH Link. Specifically, a UNI MEG is intended to monitor a link connection between the PE port on the intermediate Network Operator domain and the CE port on the Subscriber domain.

### I.2.2.1.3 UTA SP MEG

The UTA SP MEG is intended to cover the SOAM requirements for the UTA OVC. Specifically, an SP MEG is intended to monitor Service Frames exchanged between the PE port associated with the RUNI-N in the intermediate Network Operator domain and PE port at the ENNI-N and adjunct VUNI-N of the VUNI Provider.

Placement of a UTA SP MEP at the RUNI-N is primarily dictated by the need to associate Service Frames with a UTA OVC. A MEP instantiating a SP MEG is expected to be placed as close as possible to the ESCF responsible for classification, conditioning and mapping between Subscriber Link ECs (e.g., C-Tagged/Untagged Service Frames) at the UNI and the corresponding Operator EC for the UTA EC.

**I.2.2.1.4 Operator MEG**

The Operator MEG is intended to cover the SOAM requirements for the Operator EC associated with the UTA OVC within the intermediate CEN(s). The placement of an Operator MEP at an RUNI-N is primarily dictated by the need to associate a UTA OVC with an Operator EC. A MEP instantiating an Operator MEG is expected to be placed as close as possible to the EETF/EEAF pair instantiating the corresponding Operator EC for the UTA EC.

**I.2.2.2 SOAM Components at the ENNI with adjunct VUNI-N**

Figure I.7 depicts a functional representation of a VUNI-N and the relative placement of SOAM entities at an ENNI-N with an adjunct VUNI-N in support of a UTA OVC.

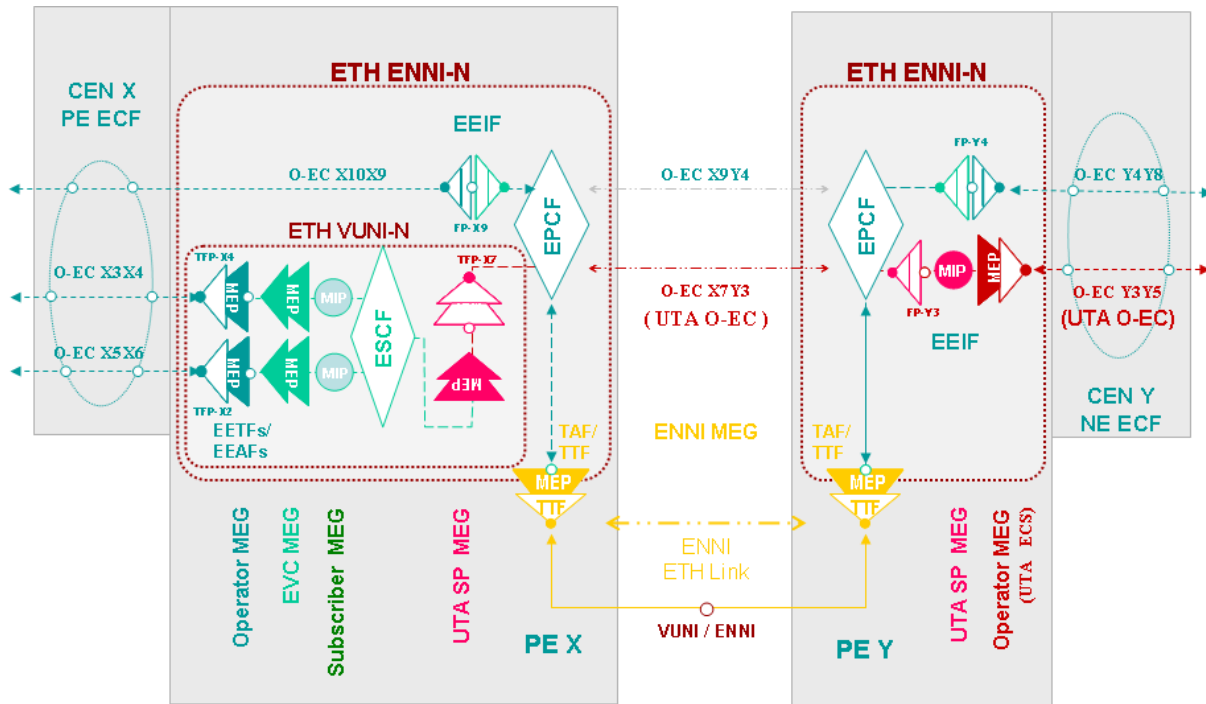


Figure I.7: Functional representation of MEPs & MIPs at an ENNI with an adjunct VUNI

**I.2.2.2.1 UTA SP MEG at the VUNI-N**

The UTA SP MEG is intended to cover the SOAM requirements for the UTA OVC from the VUNI Provider perspective. Placement of a UTA SP MEP at the VUNI-N adjunct to the ENNI-N is primarily dictated by the need to associate ENNI frames with a UTA OVC. A MEP instantiating a UTA SP MEG at the VUNI-N is expected to be placed as close as possible to the EETF/EEAF pair instantiating the Operator EC associated with the UTA EC.

There could be a MIP associated with the UTA SP MEG at any intermediate ENNI-Ns traversed by the UTA SP-EC. If present, it is expected to be placed as close as possible to the EPCF responsible for classification, conditioning and mapping of ENNI frames to an Operator ECs and outside the SOAM domain of the corresponding Operator MEG.

**I.2.2.2.2 EVC MEG at the VUNI-N**

The EVC MEG at the VUNI-N is intended to cover the SOAM requirements for EVCs from a Service Operator (VUNI Provider) perspective. Placement of an EVC MEP at a VUNI-N is primarily dictated by the need to associate



ENNI Frames with EVCs and its associated Operator ECs. A MEP associated with an EVC MEG is expected to be placed as close as possible to the ESCF responsible for classification, conditioning and mapping of the Subscriber ECs (e.g., C-tagged/Untagged frames) to an Operator EC and outside the SOAM domain of the corresponding Operator MEG.

#### **I.2.2.2.3 Subscriber MEG at the VUNI-N**

The Subscriber MEG at the VUNI-N is intended to cover the SOAM requirements for EVCs from a Subscriber perspective. There could be a MIP associated with the Subscriber MEG at the VUNI-N. If present, it is expected to be placed as close as possible to the ESCF responsible for classification, conditioning and mapping of the Subscriber ECs to the associated Operator EC and outside the SOAM domain of the corresponding Operator and EVC MEGs.

#### **I.2.2.2.4 Operator MEG at the VUNI-N**

The Operator MEG at the VUNI-N is intended to cover the SOAM requirements for Operator ECs instantiated within the VUNI Provider in support of the EVCs associated with the UTA Service. Placement of an Operator MEP at a VUNI-N is primarily dictated by the need to associate ENNI Frames with Operator ECs. A MEP instantiating an Operator MEG is expected to be placed as close as possible to the EETF/EEAF pair responsible for instantiating the Operator EC conveying the EVC.

#### **I.2.2.2.5 Other SP MEGs at VUN-N**

As with the case of the UNI, there could be other SP MEGs at the VUNI-N used by the VUNI Provider to cover the SOAM requirements for Tunnel ECs within its own domain. If present, these SP MEGs follow the same placing conventions as for SP MEGs at UNIs (see, section I.2.1.1.4).